

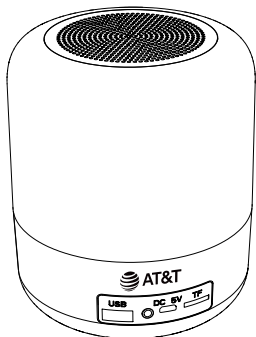


# User's Manual

PWS100  
Wireless Speaker With Light

**Welcome | Thank you for purchasing the PWS100**

---



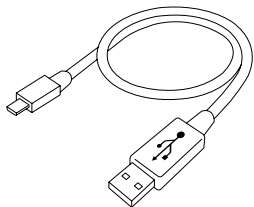
## Introduction

### Features

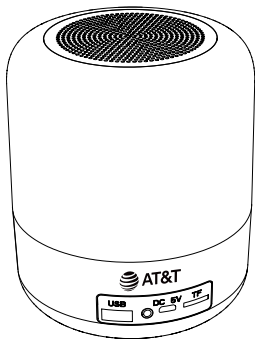
- 5W Portable Wireless Speaker
- Supports MP3 files stored in TF card
- Audio Input for devices without Wireless Function
- Built-in Rechargeable Battery
- Play/Pause and Skip Functions
- 5 colorful LED lights within 3 flashing lights

## What's included

Unpack the speaker system and make sure all accessories are put aside so they will not be lost.



Micro-USB cable



PWS100

# Safety Information

## Warning!

TO REDUCE THE RISK OF FIRE OR ELECTRIC SHOCK, DO NOT EXPOSE THIS SPEAKER TO DRIPPING OR SPLASHING LIQUIDS.



**WARNING!**  
Risk of Shock or  
Electricity



**WARNING!**  
To reduce the risk of  
electric shock, do not  
remove(or back). No  
user-serviceable parts  
inside. Refer servicing  
to qualified service  
personnel.cover



**CAUTION!**  
Read the following  
instructions to ensure  
safety and proper use

NOTES: Caution symbols are printed on rear of unit.

Please refer to user's manual. This device complies with Part 15 of the FCC Rules. Operation is subject to the condition that this device does not cause harmful interference.

# Safety Information

## Important Safety Instructions

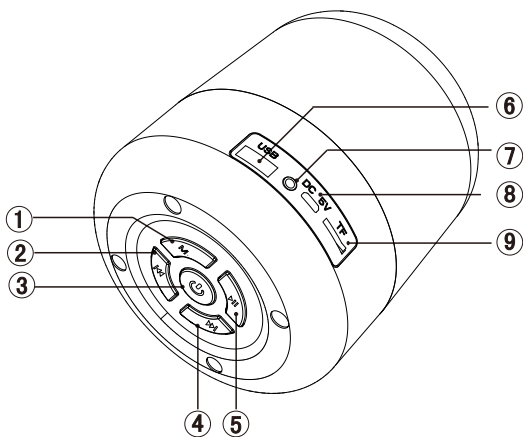
When used in the directed manner, this unit has been designed and manufactured to ensure your personal safety. However, improper use can result in potential electrical shock or fire hazards. Please read all safety and operating instructions carefully before installation and use, and keep these instructions handy for future reference. Take special note of all warnings listed in this user's manual and on the unit.

1. **Cleaning** - Unplug the unit from the wall outlet before cleaning. Clean the unit using a damp cloth; do not use liquid or aerosol cleaners.
2. **Attachments** - Do not use attachments that are not recommended by the manufacturer.
3. **Water and Moisture** - The unit should not be used near water. For example: near a bathtub, washbowl, kitchen sink, laundry tub, swimming pool or in a wet basement.
4. **Placement** - Do not place the unit on an unstable table, stand, tripod, or bracket. This may result in serious personal injuries and damage to the unit.
5. **Ventilation** - The unit should be situated so that its location or position does not interfere with its proper ventilation. For example, it should not be situated on a bed, sofa, rug or similar surface that may block ventilation openings. Also, it should not be placed in a built-in installation, such as a bookcase or cabinet, which may impede the flow of air through the ventilation openings.
6. **Periods of Non-use** - If the unit is to be left unused for an extended period of time, such as a month or longer, the power cable should be unplugged from the unit to prevent damage or corrosion.
7. **Objects and Liquid Entry** - Care should be taken so that external objects do not fall into and liquids are not spilled onto any openings or vents located on the product.
8. **Power Source** - The unit should be connected to a power supply only of the type described in the operating instructions or as marked on the unit. If you are not sure, please consult the dealer or local power company.

9. **Power Cord protection** - Power supply cord should be routed so that it is not likely to be walked on or pinched by items placed upon or against them. It is always better to have a clear area from where the cable exits the unit to where it is plugged into an AC outlet.
10. **Lightning** - Unplug the unit from the wall outlet and disconnect the antenna or cable system during a lightning storm or when it is left unattended and unused for long periods of time. This will prevent damage to the product due to lightning and power-line surges.
11. **Overloading** - Do not overload wall outlets, extension cords, or integral convenience receptacles as this can result in a risk of fire or electric shock.
12. **Heat** - The unit should be situated away from heat sources such as radiators, heat registers, stoves or other appliances (including amplifiers) that produce heat.
13. **Damage Requiring Service** - The unit should be serviced by qualified service personnel when:
  - A. the power supply cable or plug has been damaged.
  - B. objects have fallen into or liquid has been spilled onto the enclosure.
  - C. the unit has been exposed to rain.
  - D. the unit has been dropped or the enclosure damaged.
  - E. the unit exhibits a marked change in performance or does not operate normally.
14. **Servicing** - The user should not attempt to service the unit beyond those methods described in the user's manual. Opening or removing covers will expose you to dangerous voltage and other hazards. Service methods not covered in the user's manual should be referred to qualified service personnel.
15. **Safety Check** - Upon completion of any service or repair to the unit, ask the service technician to perform safety checks to determine that the product is in proper working condition.
16. **Built-in Battery Care** - This device contains a rechargeable Lithium ion battery. The battery can be charged and discharged hundreds of times. Unplug the charger from the electrical outlet and product when not in use. Do not leave a fully charged battery connected to a charger, since overcharging may shorten its lifetime. Leaving the product in hot or cold places will reduce the capacity and lifetime of the battery.

# Getting Started

## Location of Main Unit Controls



1. (M) Mode key: BT/Aux/TF card/USB
2. (⏮) Press and Hold: Decrease Volume, Press once: Skip to previous song
3. (⏻) Press and Hold: Power ON/OFF, Short press: Change the light color
4. (⏭) Press and Hold: Increase Volume, Press once: Skip to next song
5. (⏸) Press once: Play/Pause
6. USB port
7. 3.5mm Aux input
8. Micro USB charging port
9. TF card port

# Getting Started

## Operating instructions

1. Press and hold the power button (🔌) to enter a wireless connection mode. Choose the wireless pairing name PWS100 to connect with a mobile phone or Bluetooth® enabled device.
2. After initial pairing when the speaker is powered up again it will automatically search for the last connected wireless device. If the device is not found in 10 seconds the speaker will exit connection status.
3. Press the Mode(M) key to select between BT/Audio /TF card modes.
4. Light control: Short pressing the (🔌) will advance to the next color with each press. On the 6th short press the light will start changing colors randomly, the 7th press will put the light changes in a fading mode and the 8th press will turn off the light.

## Specifications

Wireless version	5.0	Power Output	5 W
Frequency	20Hz – 20KHz	Charging time	4 hours
Working distance	10m / 30Ft	Input	Micro 5V/1A
Working time	Up to 5 hours	Battery capacity	1200 mAh



# Warranty Information

## Limited Warranty

The AT&T brands are used under license. Any repair, replacement, or warranty service, and all questions about this product should be directed to Concept 101 LLC at [www.att.com/electronics](http://www.att.com/electronics) or call 1 (888) 920-8680 from the USA or Canada.

Concept 101 LLC warrants to the original purchaser that the product will be free from defects in material, parts and workmanship for the period designated for this product. The warranty commences the day the product is purchased and covers up to a period of one (1) year. Concept 101 LLC agrees that it will, at its option, replace the defective product with either a new or remanufactured headset equivalent to your original purchase during the warranty period. Should the Parts warranty period exceed the Labor warranty period, Concept 101 LLC will supply at no charge for the remainder of the Parts warranty, any new or remanufactured replacement parts as required by the product. During this period all labor and service charges will become the responsibility of the customer.

**Exclusions:** This warranty does not apply to the appearance or exterior of the product which may have been damaged or defaced, altered or modified in design or construction. This warranty does not apply if the serial number is altered or removed, or if there is any damage due to power line surge, user damage to the AC power cord, connection to improper voltage source, general misuse, accidents, or repair attempts by unauthorized service agents. Other exclusions include ear pads, rechargeable and non-rechargeable batteries.

**REPAIR OR REPLACEMENT AS PROVIDED UNDER THIS WARRANTY IS THE EXCLUSIVE REMEDY OF THE CUSTOMER; Concept 101 LLC SHALL NOT BE LIABLE FOR ANY INCIDENTAL OR CONSEQUENTIAL DAMAGES FOR BREACH OF ANY EXPRESS OR IMPLIED WARRANTY ON THIS PRODUCT, EXCEPT TO THE EXTENT PROHIBITED BY APPLICABLE LAW. ANY IMPLIED WARRANTY OF MERCHANTABILITY OF FITNESS FOR A PARTICULAR PURPOSE ON THIS PRODUCT IS LIMITED TO THE DURATION OF THE WARRANTY.**

Some states do not allow the exclusion or limitations of incidental or consequential damages, or limitations on how long the warranty lasts. In these cases the above exclusions or limitations may not apply to you. This warranty gives you specific legal rights and you may also have other rights which vary from state to state.

**Obtaining Service:** To obtain service, product literature, supplies or accessories please call 1 888-920-8680, or visit our website, [www.att.com/electronics](http://www.att.com/electronics), to create a ticket for exchange/repair. Please make sure to provide the date of purchase, model number and a brief description of the problem. Our customer service representative will contact you or send detailed return instructions.

Concept 101 LLC does not warrant that the unit will work properly in all environmental conditions, and makes no warranty and representation, either implied or expressed, with respect to the quality, performance, merchantability, or fitness for a particular purpose other than the purpose identified within this user's manual. Concept 101 LLC has made every effort to ensure that this user's manual is accurate and disclaims liability for any inaccuracies or omissions that may have occurred. Information in this user's manual is subject to change without notice and does not represent a commitment on the part of Concept 101 LLC. Concept 101 LLC reserves the right to make improvements to this user's manual and/or to the products described in this user's manual at any time without notice. If you find information in this manual that is incorrect, misleading, or incomplete, please contact us through our website.



You may also contact your local recycling center for information on where to drop off the spent battery, or call 1-800-8-BATTERY®.

RRRC Seal® and 1-800-8-BATTERY® are registered trademarks of Call2Recycle, Inc.



[www.att.com/electronics](http://www.att.com/electronics)

The Bluetooth® word mark and logos are registered trademarks owned by Bluetooth SIG, Inc.

© 2022 Concept 101 LLC. All Rights Reserved. AT&T and the AT&T logo are trademarks of AT&T Intellectual Property licensed to Concept 101 LLC, New York, New York 10018. Issue 1.2 AT&T 8/2022.

## FCC Statement

This device complies with part 15 of the FCC Rules. Operation is subject to the following two conditions: (1) This device may not cause harmful interference, and (2) this device must accept any interference received, including interference that may cause undesired operation.

This equipment has been tested and found to comply with the limits for a Class B digital device, pursuant to part 15 of the FCC Rules. These limits are designed to provide reasonable protection against harmful interference in a residential installation. This equipment generates, uses and can radiate radio frequency energy and, if not installed and used in accordance with the instructions, may cause harmful interference to radio communications. However, there is no guarantee that interference will not occur in a particular installation. If this equipment does cause harmful interference to radio or television reception, which can be determined by turning the equipment off and on, the user is encouraged to try to correct the interference by one or more of the following measures:

- Reorient or relocate the receiving antenna.
- Increase the separation between the equipment and receiver.
- Connect the equipment into an outlet on a circuit different from that to which the receiver is connected.
- Consult the dealer or an experienced radio/TV technician for help.

Caution: Any changes or modifications to this device not explicitly approved by manufacturer could void your authority to operate this equipment.

### RF Exposure Information

The device has been evaluated to meet general RF exposure requirement. The device can be used in portable exposure condition without restriction.