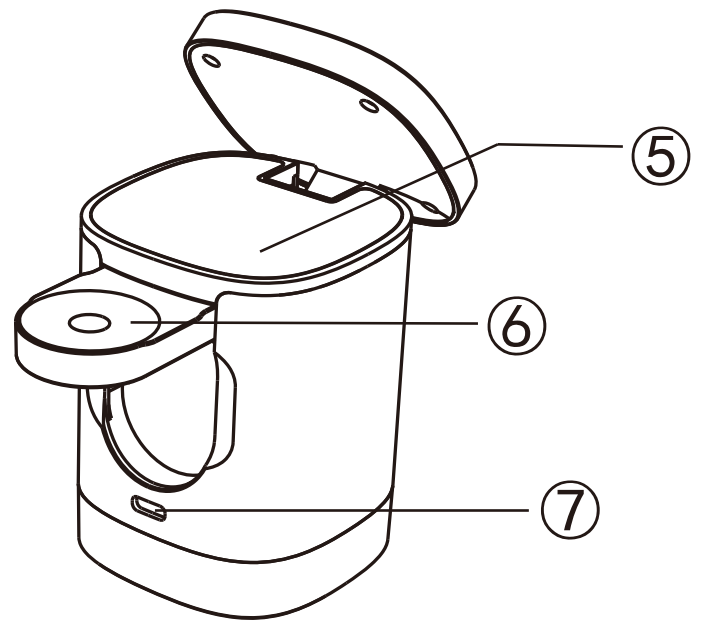
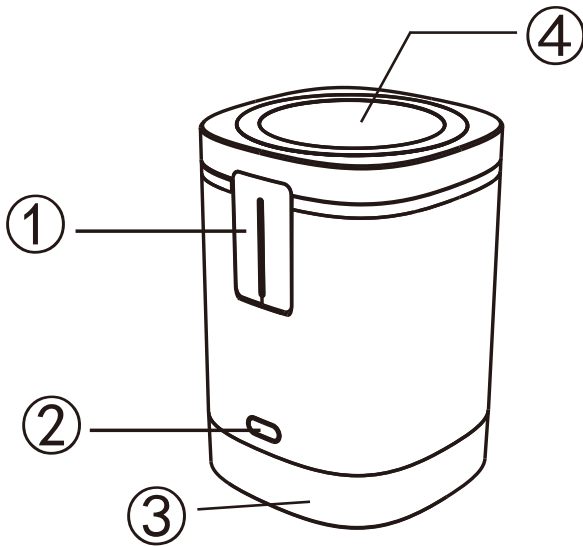


Glow 3-in-115W MagClick Wireless Charging Stand

Instruction Manual

Whats Included:

- 1 x Wireless Charging Pad
- 1 x Type-C to Type-C Cable



Functions:

1. Rotating axis
2. Light switching button
3. Lighting Surface
4. Wireless Charging Surface(Mobile Device)
5. Wireless Charging Surface(Earphone)
6. Wireless Charging Surface(iWatch)
7. Type-C power input

Instructions:

Wireless charging light mode

- When the wireless charging mobile phone is placed alone in the mobile phone charging surface for charging, the indicator light will breathe blue. After the mobile phone is fully charged, the blue light will go out. When the product is in abnormal working condition, the blue light will flash.
- When the wireless charging headset is placed alone in the headset charging surface for charging, the indicator light will breathe green. After the headset is fully charged, the green light will go out. When the product is in abnormal working condition, the green light will flash.
- When the mobile phone and earphones are placed in the charging surface for charging at the same time, the indicator light will alternately breathe blue/green. When the mobile phone and earphones are fully charged, the indicator light will go out.
- When the mobile phone charging surface and the headphone charging surface are not working properly at the same time, the blue light/green light flashes alternately.
- When the mobile phone charging surface is not working normally, and when the headphone charging surface is working normally, the indicator light will be green for 10 seconds, then turn to blue and flash for 5 seconds, and continue to cycle until it is released.

Tech Specifications:

1. Type-C Input: 5V == 2A ; 9V == 3A
2. Wireless Output (Phone): 15W Max
3. Wireless Output (Earphone): 5W Max
4. Wireless Output (for Watch): 2.5W Max

- When the headphone charging surface is not working normally, and when the mobile phone charging surface is working normally, the indicator light will be blue, breathe for 10 seconds, then turn to green and flash for 5 seconds, and continue to cycle until it is released.
- When the phone is fully charged and the headset charging surface is not working normally, the blue light goes out and the green light flashes.

Applicable models

For iOs: iP8, iP8 Plus, iPX, iPXR, iP12 full series, iP13 full series,

For Samsung: Note9, s9, S9+, Note8, S8, S8+, S7Edge, S7, Note5, Note6, Note7, S6Edge, S6Edge+, SM-W2019, SM-W2018 SM-W2017

For Nokia: 930, 830, 1520, 1020, 820, 720, 920, 925
For Google: 4/5/6/7

Xiaomi: MIX2s, 10/10pro, 9/9pro, MIX3

Earbuds: HUAWEI FreeBuds Pro, AirPods 2, AirPods 3, oppo Enco W51, Redmi AirDots 3 Pro

Watch: i-watch

Note: Compatible with all models that support Qi standard (the above are the commonly used ones)

Safety Precautions:

WARNING-When using this product, basic precautions should always be followed:

1. Read all the instructions before use.
2. To reduce the risk of injury, close supervision is necessary when the product is used near children.
3. Do not expose the device to moisture.
4. Do not use the device in excess of its output rating. Overload outputs above rating may result in a risk of fire or injury.
5. Do not use the device if damaged or modified.
6. Do not disassemble the device. Take it to a qualified service person when service or repair is required. Incorrect reassembly may result in a risk of fire or injury.
7. Do not expose the device to fire or excessive temperature. Exposure to fire or temperatures above 212°F may cause explosion.
8. Have servicing performed by a qualified repair person using only identical replacement parts. This will ensure that the safety of the product is maintained.
9. Do not overcharge Phone. Unit may get hot with excessive use. Remove Phone when it is fully charged. Never charge for more than 7 hours at a time.
10. Attachments on the back of your phone can impede the effectiveness of the wireless charger, and lead to overheating. Please remove attachments from the phone before charging on this device.
11. The strong magnetic fields of neodymium magnets can damage items such as television, computer monitors, credit cards, bank cards, computers, diskettes and other data carriers, video tapes, mechanical watches, hearing aids, loud speakers and VCRs. Pace-makers may be damaged or switched to "test mode" in the presence of a strong magnetic force, if pace-maker or other electronic body implant is in use, keep a minimum of 3 feet distance.

FCC Statement:

This device complies with Part 15 of the FCC Rules. Operation is subject to the following two conditions:

1. This device may not cause harmful interference, and
2. This device must accept any interference received, including interference that may cause undesired operation.

Warning:

Changes or modifications not expressly approved by the party responsible for compliance could void the user's authority to operate the equipment.

Note:

This equipment has been tested and found to comply with the limits for a Class B digital device pursuant to part 15 of the FCC Rules. These limits are designed to provide reasonable protection against harmful interference in a residential installation.

This equipment generates uses and can radiate radio frequency energy and, if not installed and used in accordance with the instructions, may cause harmful interference to radio communications. However, there

is no guarantee that interference will not occur in a particular installation. If this equipment does cause harmful interference to radio or television reception, which can be determined by turning the equipment the interference by one or more of the following measures:

- Reorient or relocate the receiving antenna.
- Increase the separation between the equipment and receiver.
- Connect the equipment into an outlet on a circuit different from that to which the receiver is connected.
- Consult the dealer or an experienced radio/TV technician for help.

FCC Radiation Exposure Statement:

The antennas used for this transmitter must be installed to provide a separation distance of at least 20 cm from all persons and must not be co-located for operating in conjunction with any other antenna or transmitter.

IC Caution:

Radio Standards Specification RSS-Gen, issue 5

This device contains licence-exempt transmitter(s)/ receiver(s) that comply with Innovation, Science and Economic Development Canada's licence-exempt RSS(s). Operation is subject to the following two conditions:

This device may not cause interference.

This device must accept any interference, including interference that may cause undesired operation of the device.

RF exposure statement:

The equipment complies with IC Radiation exposure limit set forth for uncontrolled environment. This equipment should be installed and operated with minimum distance 10cm between the radiator and your body.

- French:

Cet appareil contient des émetteurs / récepteurs exemptés de licence conformes aux RSS (RSS) d'Innovation, Sciences et Développement économique Canada. Le fonctionnement est soumis aux deux conditions suivantes:

Cet appareil ne doit pas causer d'interférences.

Cet appareil doit accepter toutes les interférences, y compris celles susceptibles de provoquer un fonctionnement indésirable de l'appareil.

Déclaration d'exposition RF:

L'équipement est conforme à la limite d'exposition aux radiations de la IC établie pour un environnement non contrôlé. Cet équipement doit être installé et utilisé avec une distance minimale de 10cm entre le radiateur et votre corps.