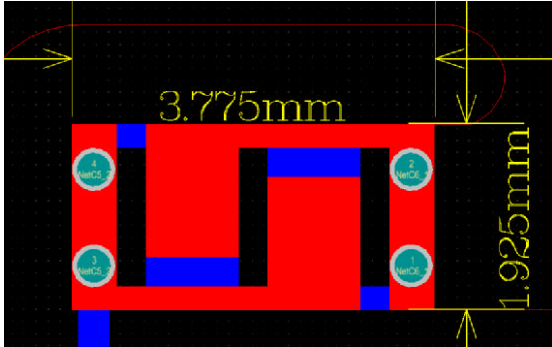


一 RF PCB

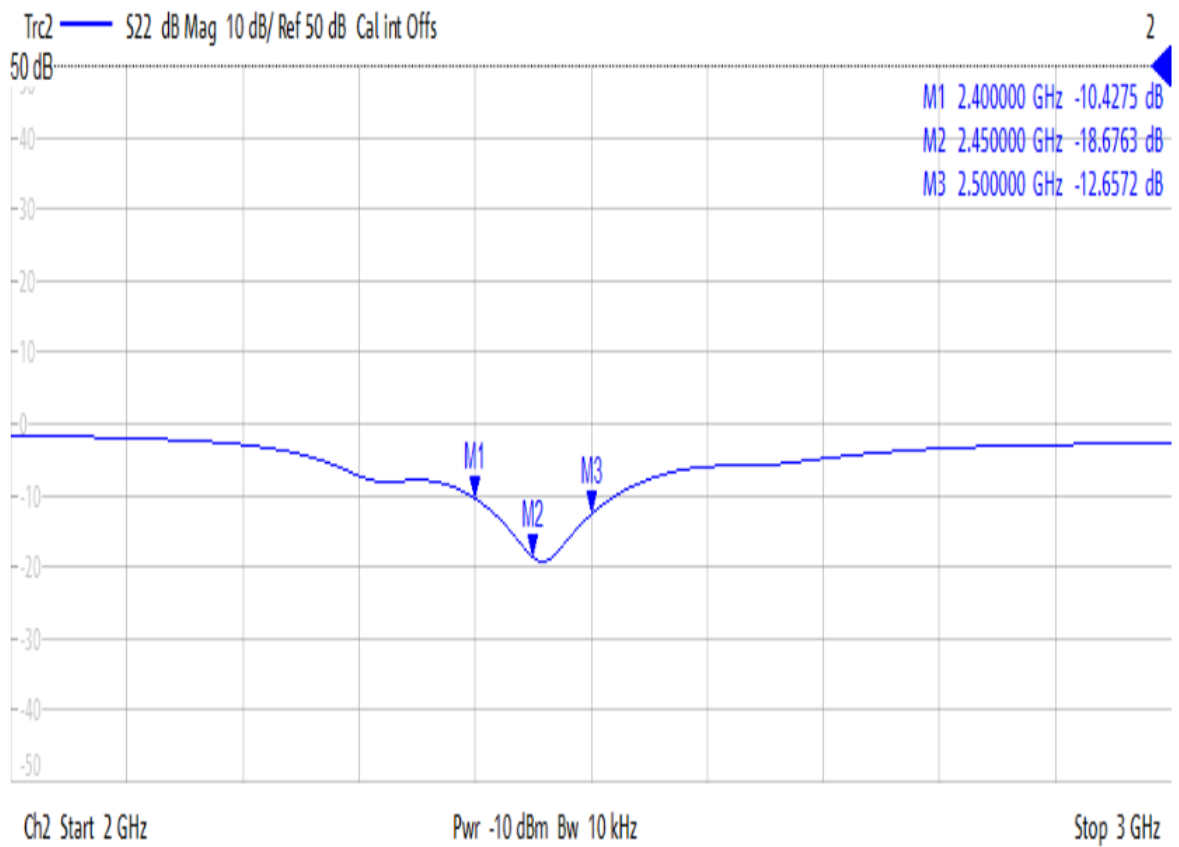


COMPANY	Shenzhen SiTePu Technology Co., Ltd
DESCRIPTION	PCB On-board antenna
OUR MODEL NO	ST006
Dimension (mm)L*W*T	3.8*1.7*0.8

Central Frequency	2450	MHz
Bandwidth	120 (Min.)	MHz
Peak Gain	-1.2	dBi
Impedance	50	Ohm
Operating Temperature	-40~+85	°C

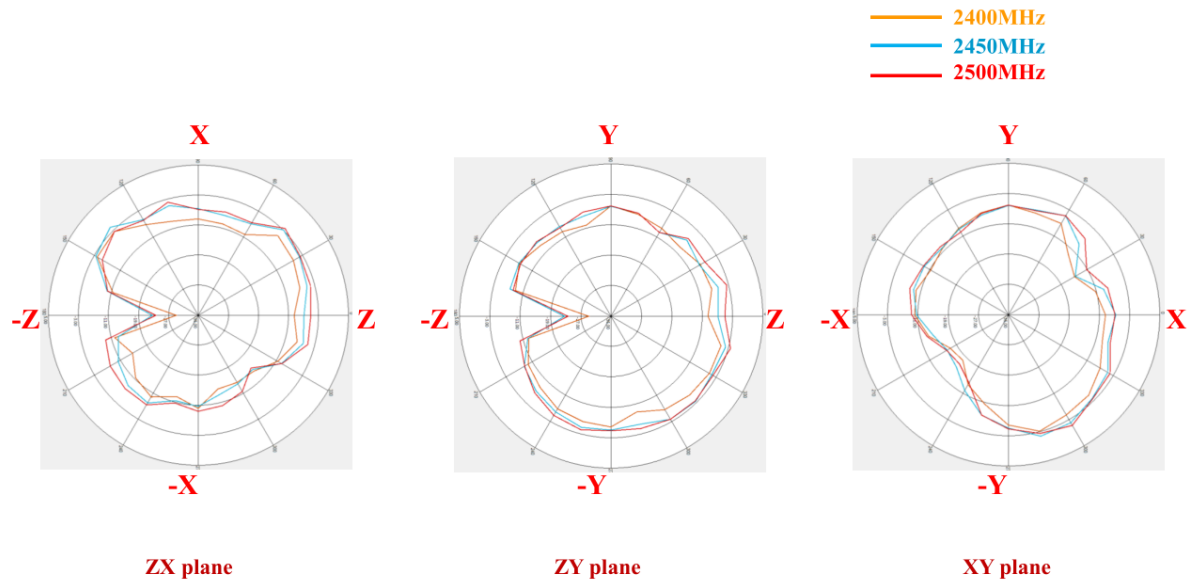
二 .Return Loss

address: Side A, 4th floor, Building A3, Huafeng Century Science and Technology Park,  
Xixiang Street, Bao'an District, Shenzhen City



### 三. 2D Radiation Patterns

address: Side A, 4th floor, Building A3, Huafeng Century Science and Technology Park, Xixiang Street, Bao'an District, Shenzhen City



	XZ-Plane		YZ-Plane		XY-Plane	
Frequency [MHz]	Max. Value (dB)	Ave. Value (dB)	Max. Value (dB)	Ave. Value (dB)	Max. Value (dB)	Ave. Value (dB)
2400 MHz	-3.3	-9.21	-5.95	-9.87	-3.11	-9.52
2450 MHz	-1.79	-6.72	-5.68	-8.42	-1.77	-8.19
2500 MHz	-2.17	-6.63	-3.32	-8.02	-1.2	-7.83

address: Side A, 4th floor, Building A3, Huafeng Century Science and Technology Park, Xixiang Street, Bao'an District, Shenzhen City