

承 认 书

SPECIFICATION FOR APPROVAL

客 户 CUSTOMER:	永漫
客 户 料 号: CUST P/N:	
天 夏 料 号: TX P/N:	TX-YM-Y0825S
产 品 型 号 DESC:	φ 14.0*20.5-0.08*24P-13TS-8-25C
日 期 DATE:	2023/05/08
版 本: Version:	A.0

拟制 PREPARED BY	审核 CHECKED BY	批准 APPROVED BY	客户承认 CUSTOMER APPROVE
曾伟浩 Zeng Wei hao	张燕 ZhangYang	罗勇军 Luo yongjun	

深圳市天夏科技有限公司 Shenzhen Tianxia Technology Co., LTD

Address: Room 523-525, C33 Science and Innovation Park,
Baoan District, Shenzhen

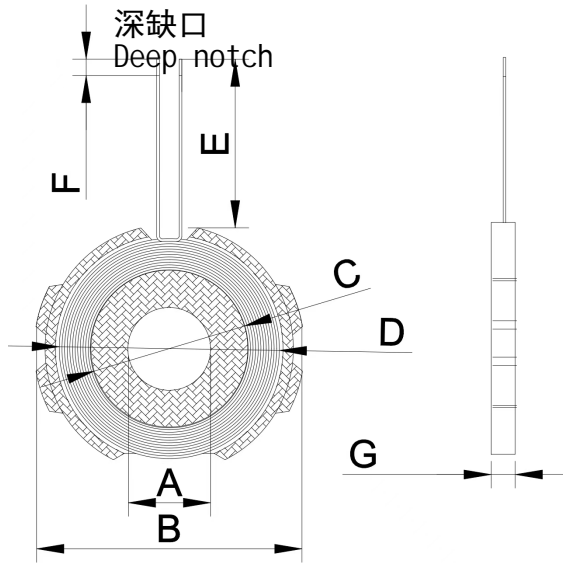
TEL: 18718699959

E-mail: 2321113770@qq.com

SPECIFICATION

产品型号: DESC	φ 14.0*20.5-0.08*24P-13TS-8-25CC	Rev: A.0	客户CUST:	
			客户料号 CUST P/N:	

一、尺寸 DIMENSION:(mm)

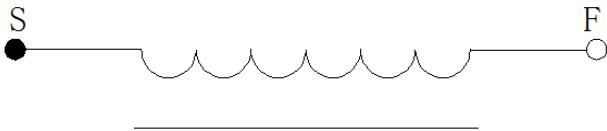


A	8.0±0.5
B	25.0±0.5
C	15.0±1
D	20.5±1
E	8.0 mm
F	3.00±0.5
G	2.6±0.5

Infuse:

1. The coil is crossed out
2. Coil attached round hard disk, size 8*25*1.0mm;
3. The lead outlet position is shown in the figure (when the outlet is facing up, the deep gap is at the bottom)
4. The overall thickness of the coil does not exceed 3mm
5. Double wire dip tin, line length 8mm, dip tin length to the edge of the magnetic disc

二、原理图 SCHEMATIC DIAGRAM



三、绕线参数 Winding Specification:

序号 NO.	端子 TERMINAL	线径 WIRE	圈数 Turns	绕线方向 Winding Direction
1	S F	0.08*24	13Ts	逆时针

四、电气特性 ELECTRICAL CHARACTERISTICS:

温度 TEMPERATURE:25±10°C, 湿度 RELATIVE HUMIDITY:65±20%

序号 NO.	项目 ITEM	端子 TERMINAL	标准 SPECIFICATION	测试条件 TEST FREQUENCY	测试仪器 TEST EQUIPMENTS
1	IND.	S-F	4.4 uH ± 10% 单独线圈	100KHz/1.0V	LCZ METER 1062B
2	IND.	S-F	7.0 uH ± 10% 带磁片	100KHz/1.0V	LCZ METER 1062B
3	DCR	S-F	600mΩ Max		LCZ METER 502B

拟制/日期 PREPARED BY/DATE	审核/日期 CHECKED BY/DATE
罗雄彬 / LU0 xiongbin 2023/05/08	张燕 / Zhangyang 2023/05/08