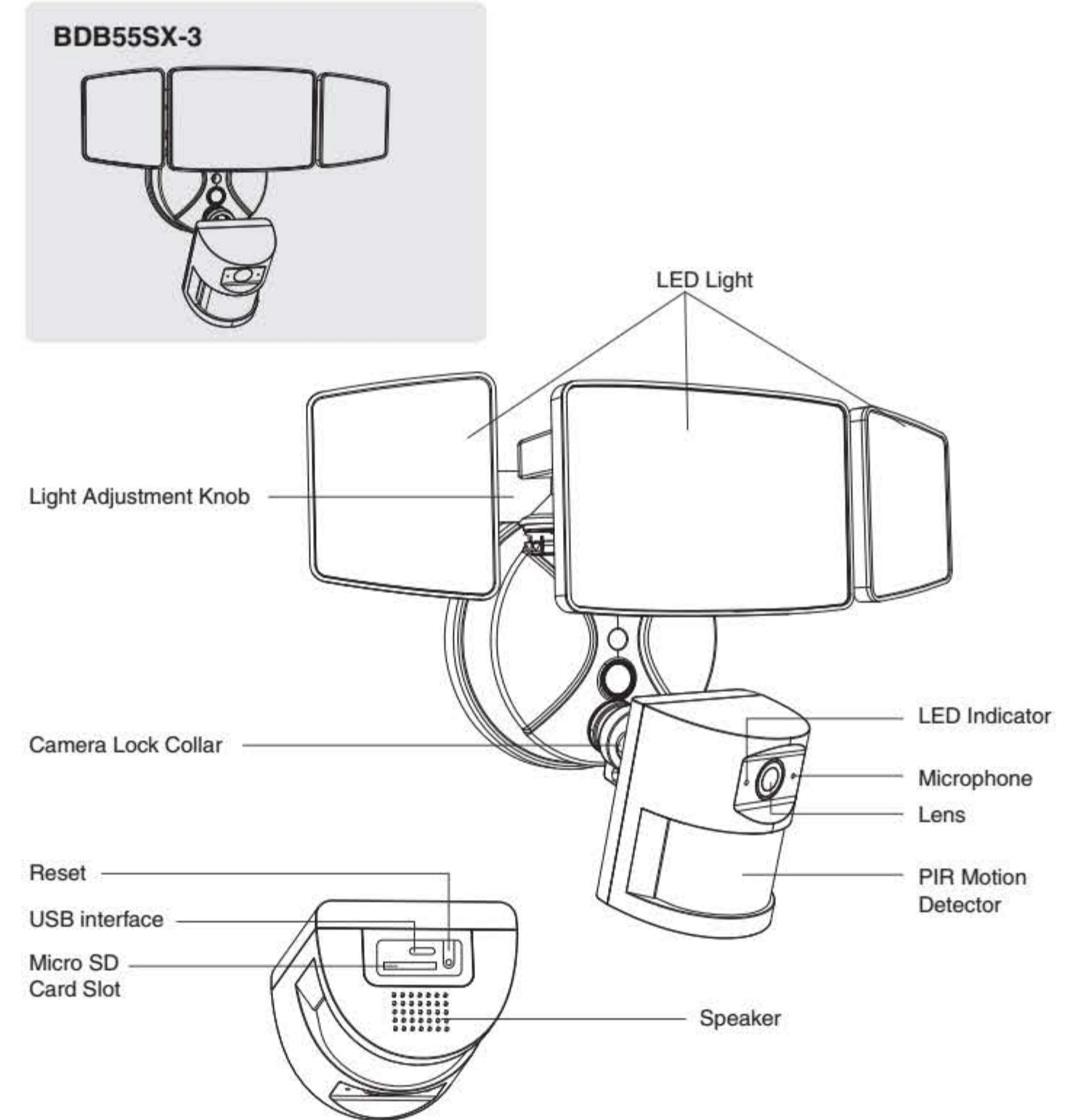


# SMART WIRELESS FLOODLIGHT CAMERA

Product Manual

MODEL: BDB55SX-3

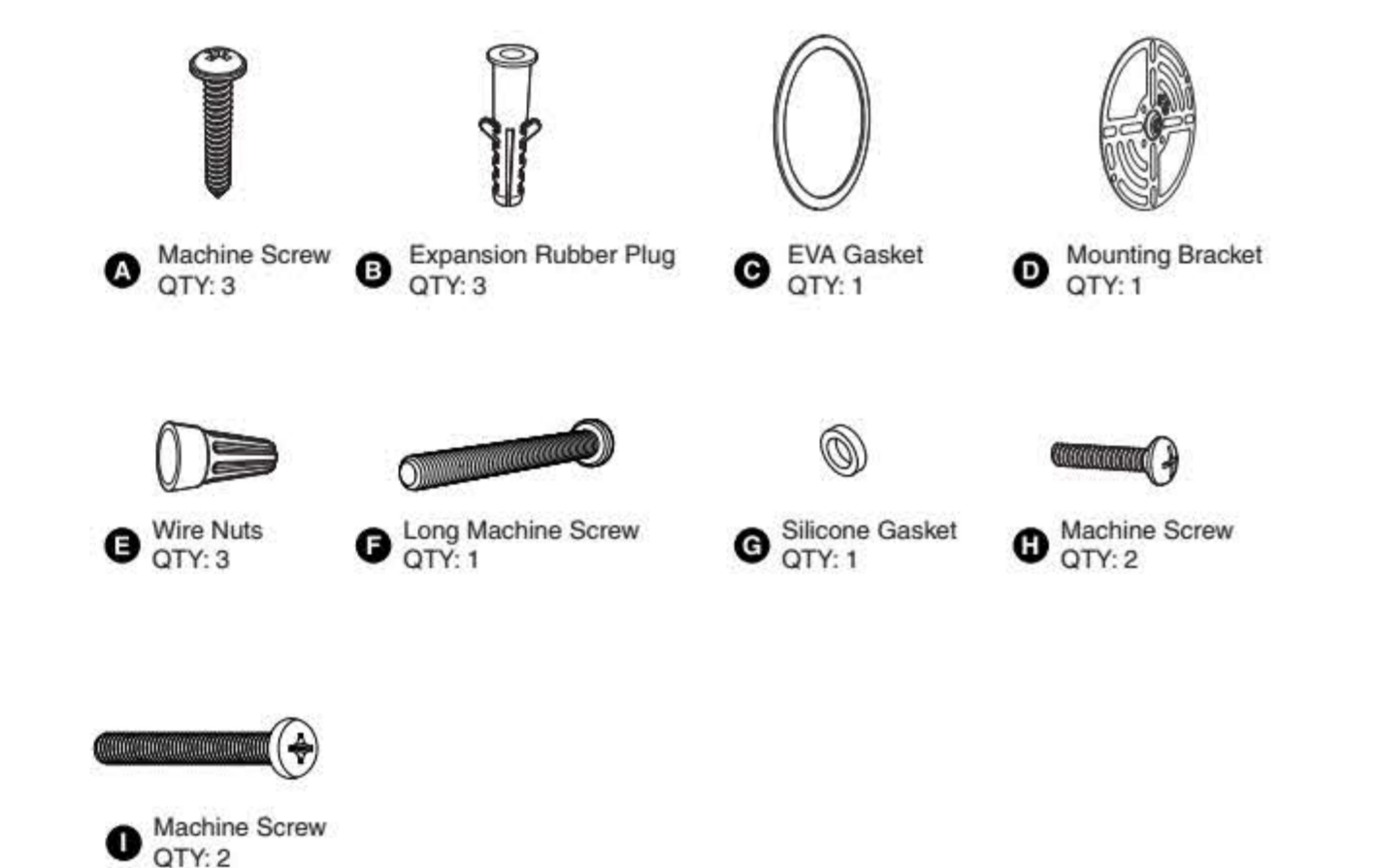
## COMPONENTS AND STRUCTURE



2



## PARTS LIST



3



## SPECIFICATIONS

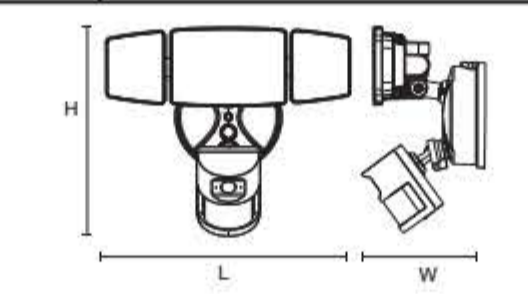
LED Floodlight	
Model	BDB55SX-3
Input Voltage	100-240V ~ 50/60Hz
Input Current	0.6A
Rated Power	55W
Luminous Flux	5500lm
CCT	6500K
CRI	≥80
Power Factor	≥0.9
L70B50 lifetime	30000hours L70B50 @ 25°
Beam Angle	120°
ta	-20-40°C/-4°F-104°F
Luminaire Location	SUITABLE FOR WET LOCATIONS
Camera	
Video	1080p HD, HDR
Field of View	125° Wide viewing angle
Motion Detection	170°Advanced PIR motion detecting distance up to 32.8ft
Audio	Two-Way Talk with Audio and advanced noise cancellation.
Siren	Remote-activated 67db siren (level measured at 16.4ft distance).
Internet Requirements	Recommended minimum upload speed of 2 Mbps per device.
Connectivity	802.11 b/g/n/ac Wi-Fi connection @ 2.4GHz 902-928 Mhz Radio
Storage	Micro SD Card up to 128GB (not included)

4



## SPECIFICATIONS

DIMENSIONS	
Model	BDB55SX-3
Dimensions (LxHxW)	274x143x225mm/ 10.79x5.63x10.04 in
Weight	0.9kg/1.98 lb



5



## SAFETY INFORMATION

**WARNING:** Risk of electrical shock

- Disconnect power at the fuse or circuit breaker before installing.
- Verify that the supply voltage is correct. Connect fixture to a 100-240V ~ 50/60Hz power source.

**Properly ground fixture.**  
Always follow code standards when installing wire connections. If you are outside of North America, installation and wiring must be performed by a licensed electrician.

**CAUTION:** Risk of fire  
Do not install near combustible or flammable surfaces.

**NOTICE**  
Do not connect this light fixture to a dimmer switch or timer. Floodlight Camera must be installed on a wall and on a UL listed junction box.

**WARNING:**  
THIS PRODUCT MUST BE INSTALLED IN ACCORDANCE WITH THE APPLICABLE INSTALLATION CODE BY A PERSON FAMILIAR WITH THE CONSTRUCTION AND OPERATION OF THE PRODUCT AND THE HAZARDS INVOLVED.

**DO NOT CONNECT THIS LIGHT FIXTURE TO AN UNGROUNDED ELECTRICAL SYSTEM. ATTACH GROUND FIXTURE WIRE TO EITHER GREEN GROUND SCREW ON MOUNTING PLATE OR THE GROUND WIRE IN THE OUTLET BOX.**

6



## SHUT POWER OFF AT THE BREAKER

Turn off power to work area at main circuit breaker or fuse box  
**Caution:** Please make sure your wall switch and power at main circuit breaker both off.



If you don't know where your breaker is or how to turn off power to your floodlight circuit, consult with a licensed electrician.

7

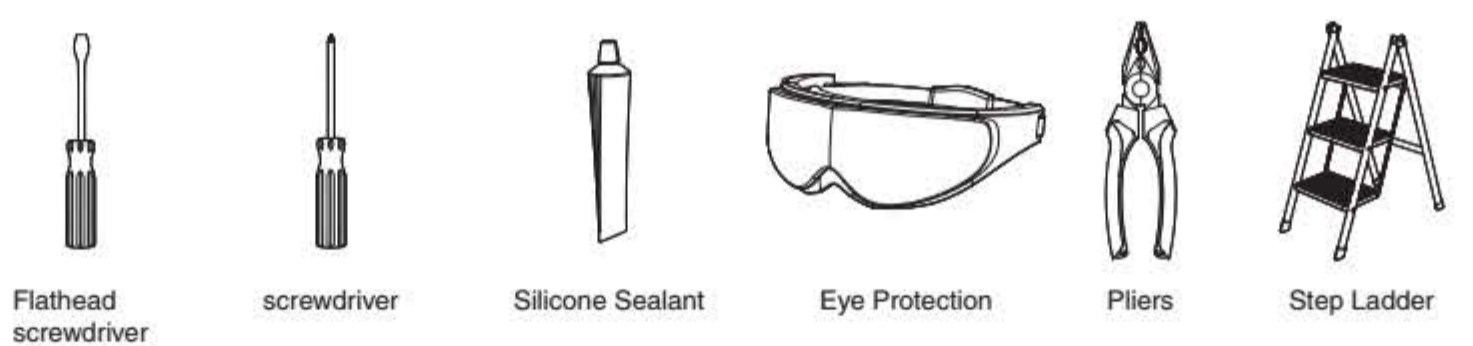


## PREPARATION

**NOTE:**  
Before beginning assembly of product, make sure all parts are present. Compare parts with parts list. If any part is missing or damaged, do not attempt to assemble the product. Estimated Assembly Time: 30-60 minutes.

Recommended to be installed 2.5m (8.2ft) above the ground but not higher than 5m (16.4ft).  
Product appearance may vary from image shown.

### TOOLS REQUIRED (not included)

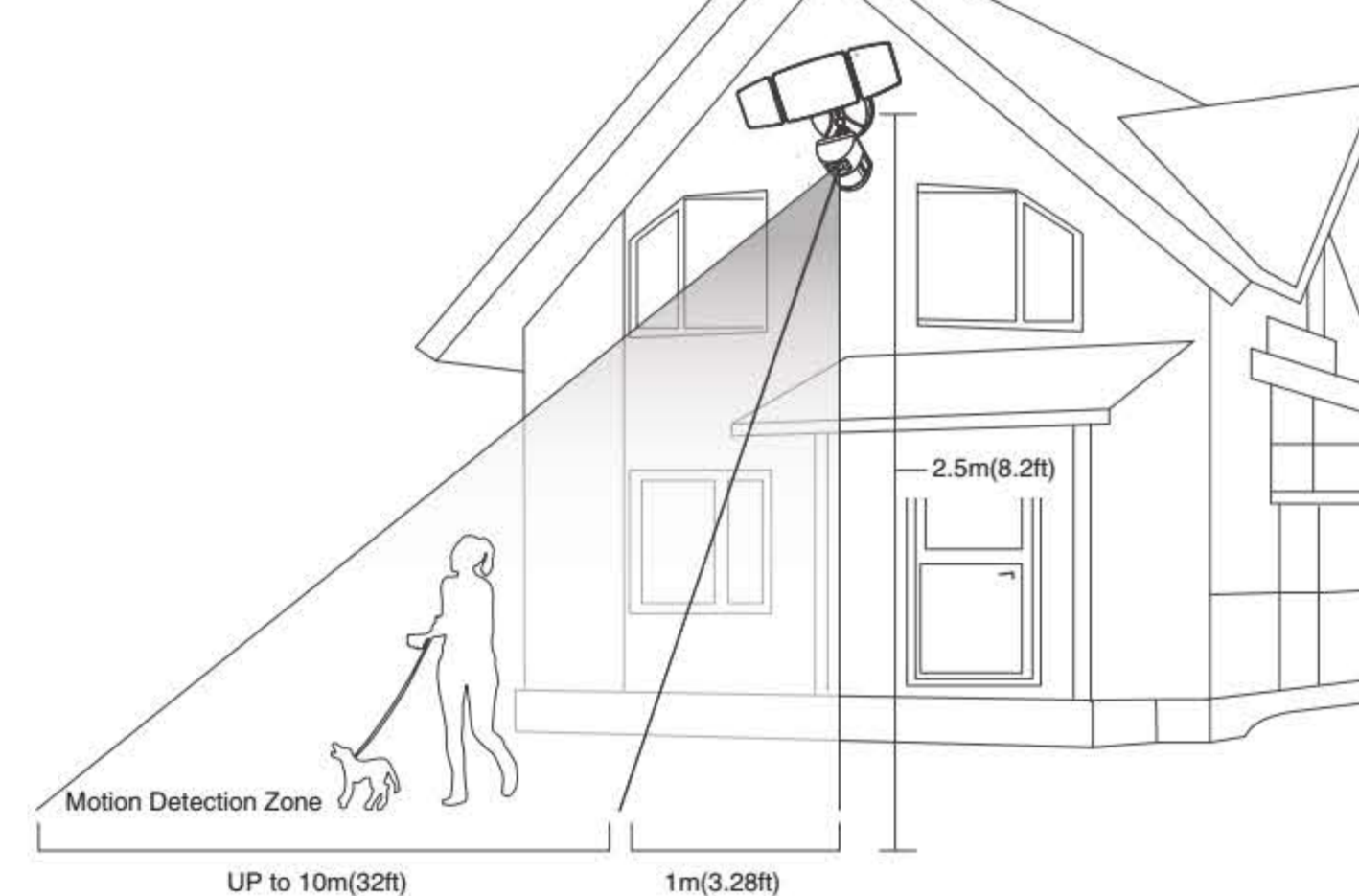


8



## PROPER INSTALLATION HEIGHT

The proper installation height to optimize the motion sensor performance is around 2.5m (8.2ft)

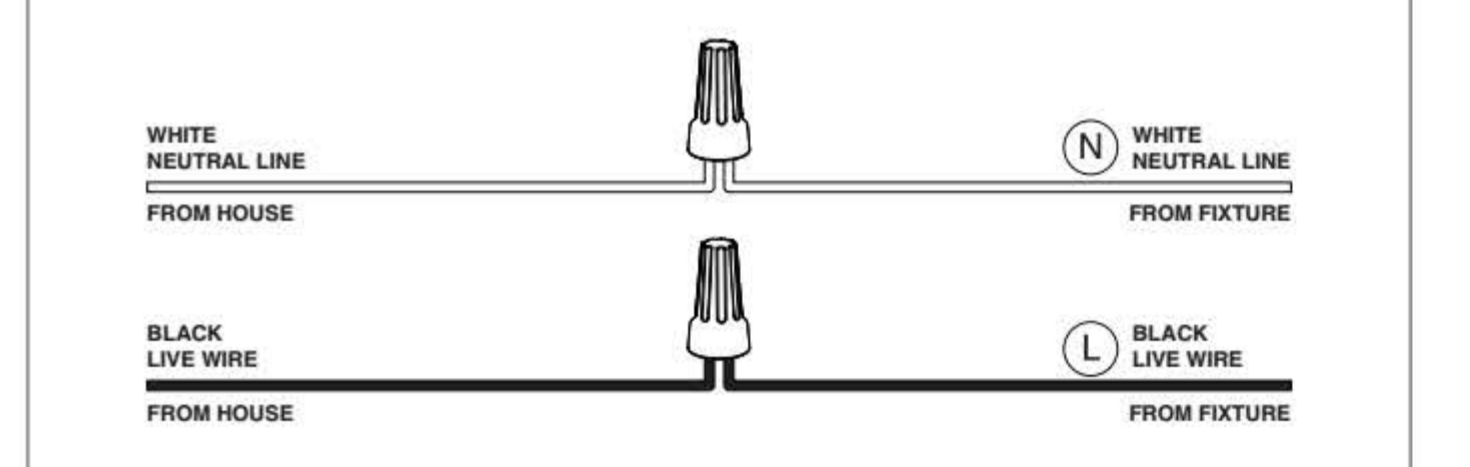
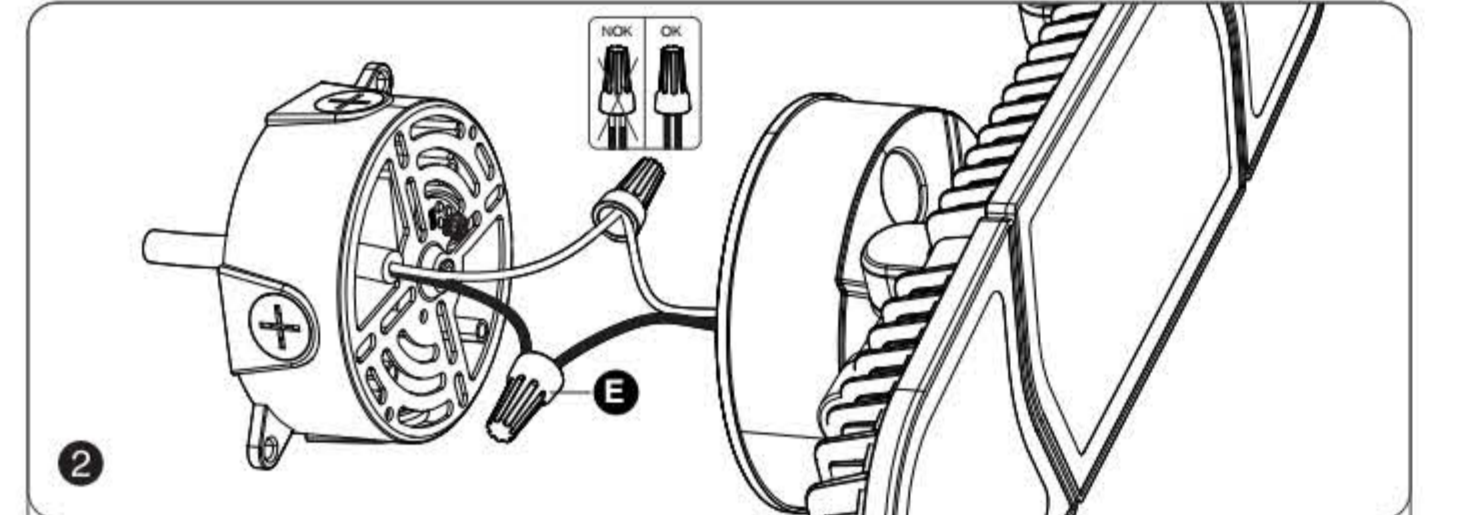
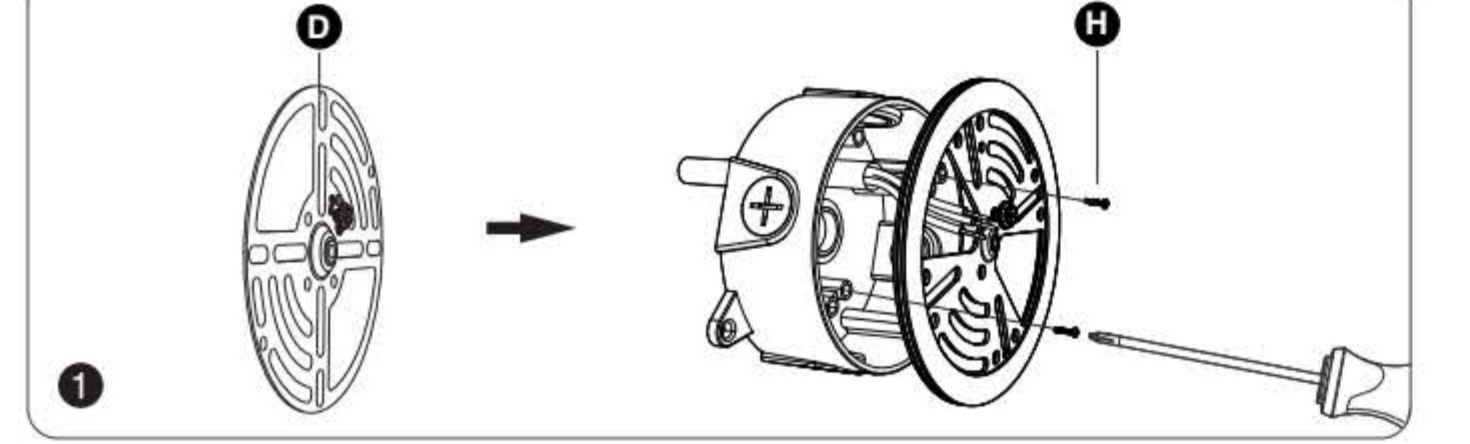


9

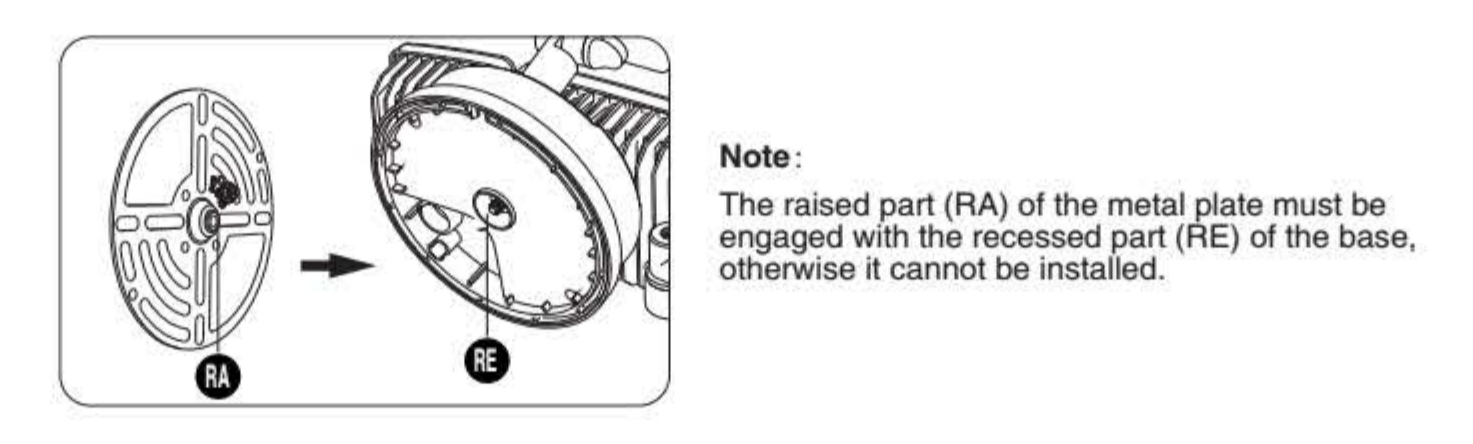
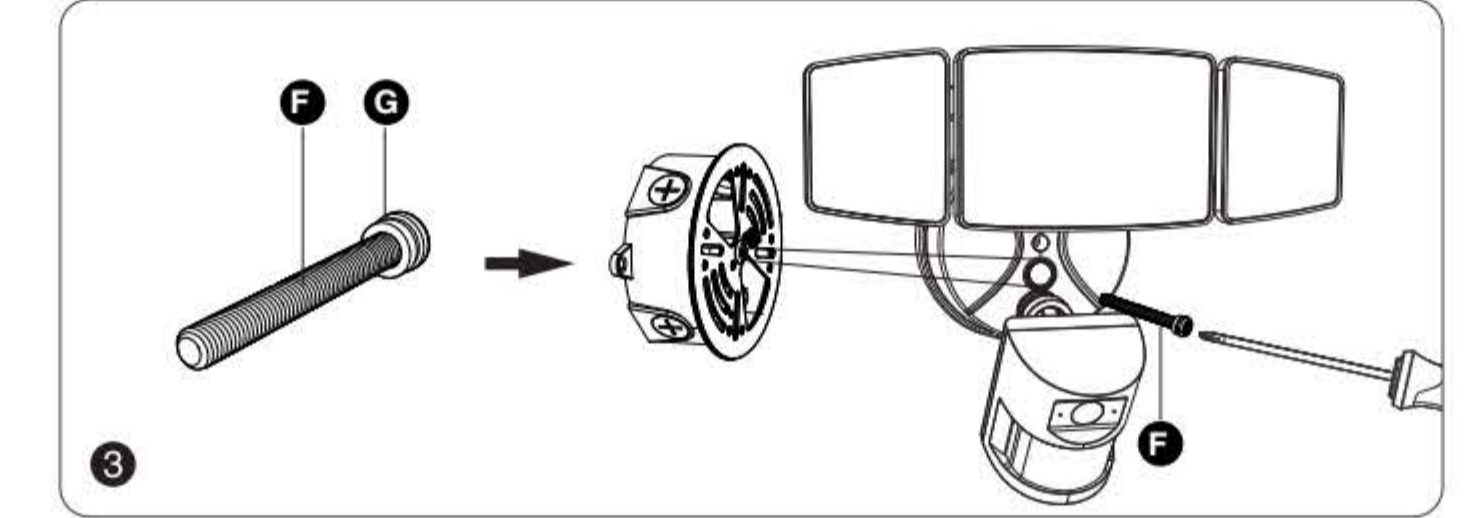


## INSTALLATION STEPS

FOR WET LOCATION, MAKE SURE FILL FULL THE GAP OF EVA GASKET AND MOUNTING SURFACE WITH SEALING COMPOUND OR SILICONE GLUE.



10



**Note:**  
The raised part (RA) of the metal plate must be engaged with the recessed part (RE) of the base, otherwise it cannot be installed.

11



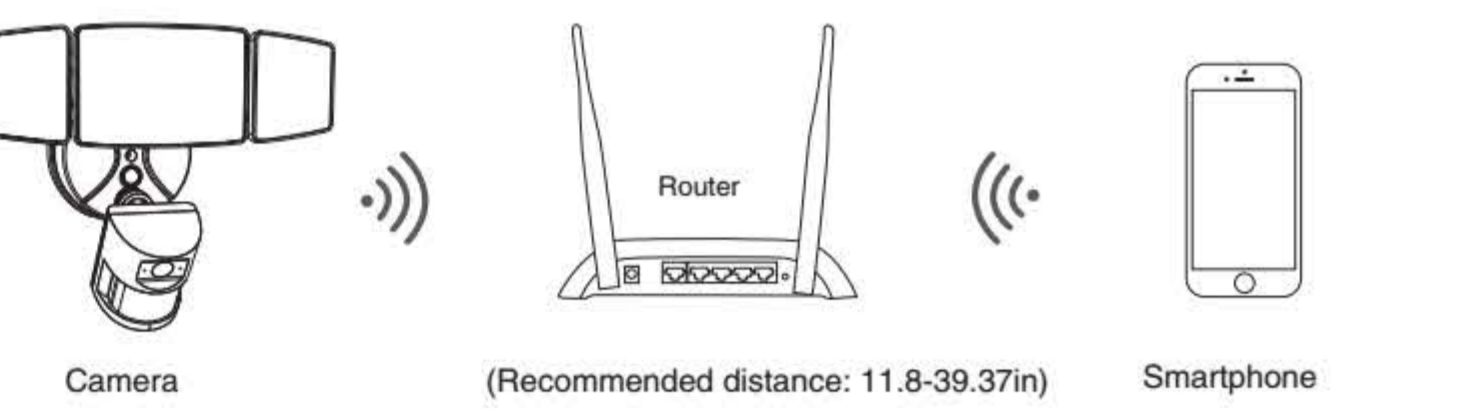
## RESTORE POWER AT THE BREAKER

After restoring power, the lights will turn on and your Floodlight Camera will begin speaking to you to let you know it's in setup mode.



## CONNECTION PREPARATION

Please install the Floodlight Camera within Wi-Fi covered area to ensure the best working performance. Make sure smart phone is connected with your wireless router. Please note that the camera only works with 2.4G Wi-Fi and does not support 5G Wi-Fi. Smartphones (IOS 9.0 or Android 4.4 and above) are supported. Tablets, Mac or Windows computers are not supported. Please don't use special characters, symbols to name the Wi-Fi and its password.



12





### PAIRING FLOODLIGHT CAMERA WITH "Onforu Home" APP

**Get the App and the Account**  
**Step 1:** "Onforu Home" App Download.  
 There are 2 options for obtaining and downloading the "Onforu Home" App on your smart device.  
 1. Scan the QR code on the right.  
 2. Search for "Onforu Home" in the App Store or Google Play.



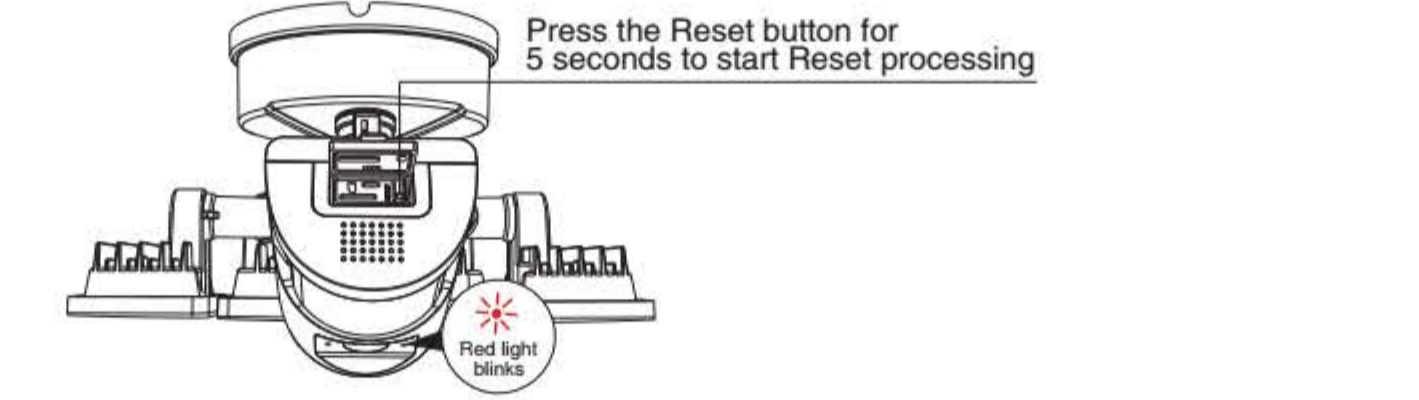
**Step 2:** Enter the "Onforu Home" App. Register an account and log in. If you already have an account for Onforu Home App, Please select "Log in with existing account".  
**Note:** You will need your "Onforu Home" App username and password to pair with Amazon Alexa and/or Google Assistant.



**Step 3:** Please turn on the Wi-Fi and Bluetooth before connecting LED lights to the "Onforu Home" App.

### PAIRING FLOODLIGHT CAMERA WITH "Onforu Home" APP

**Connect the App**  
 1. Power the device on and make sure the indicator is red and flashing quickly or a prompt tone is heard.  
**Note:** After turning on the light, the indicator will first turn on blue light, then red constant light, and then will become a red flashing light. This process takes about 40-60s.  
**Note:** If the indicator is not red and flashing quickly, long press the reset button for 3-5s.  
**Note:** What if I can't connect to the camera?  
**Please contact the seller and provide the number posted on the camera. We will help to solve the problem.**  
 2. After it becomes a red flashing light, you can start connecting the device.

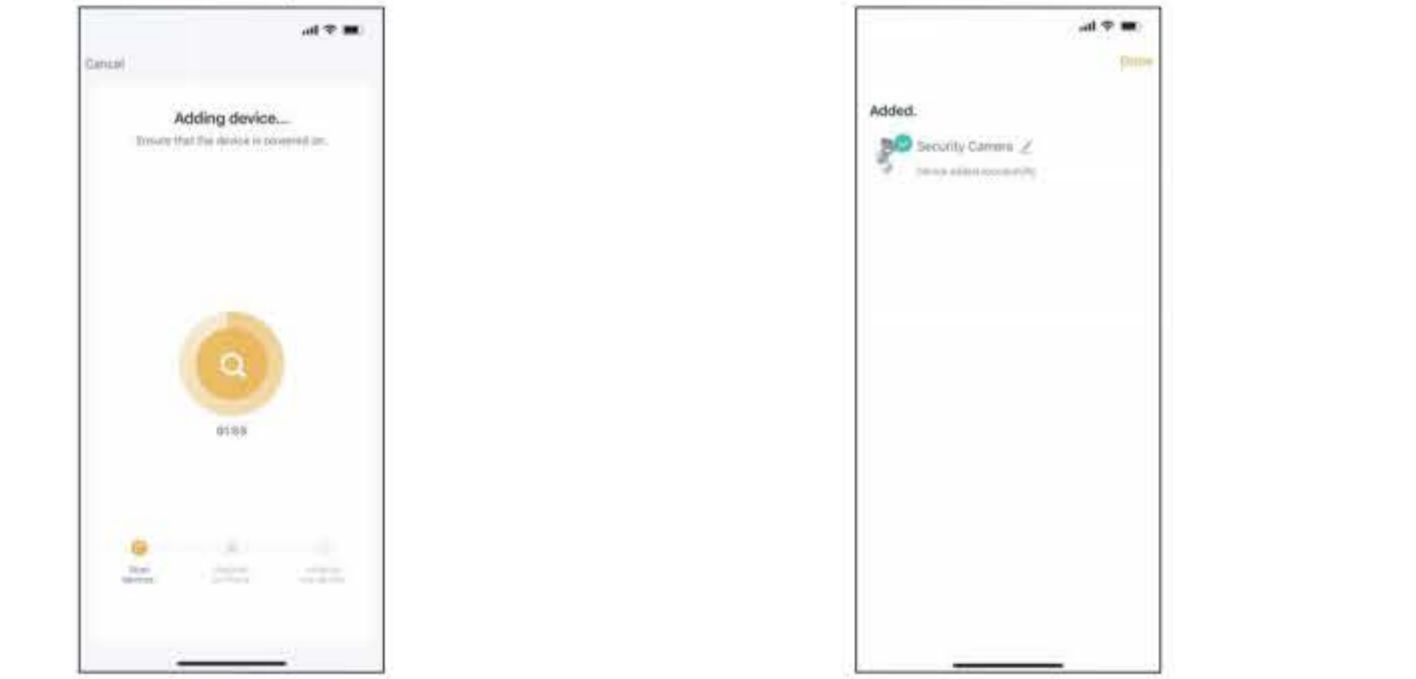


1. Tap "+" button on top right corner and tap "Add Device" to add device.  
 2. Tap "Camera&Lock" and then "Floodlight Camera" to enter next page.  
 3. Tap the "Next" button to pair the LED Light

### PAIRING FLOODLIGHT CAMERA WITH "Onforu Home" APP



4. Enter Wi-Fi password to join your network.  
**Please Note:** a. This smart LED Light can only support 2.4 GHz network and cannot work with 5.0 GHz network.  
 b. Please check if your home network is 2.4 GHz and make sure that your phone has been connected to your Wi-Fi network. Please ensure your network is not hidden.  
 5. Put the QR code that appears on the APP in front of the Camera at a distance of 15-20cm (5.9-7.87in). Let the Camera scan the code.



6. Wait for the device to register (about 40-60s).  
**Note:** At this time, the indicator light flashes blue.  
 7. Tap "Done" to complete the light pairing  
**Note:** The blue light is on, camera is ready for viewing.

### CAMERA LED INDICATOR

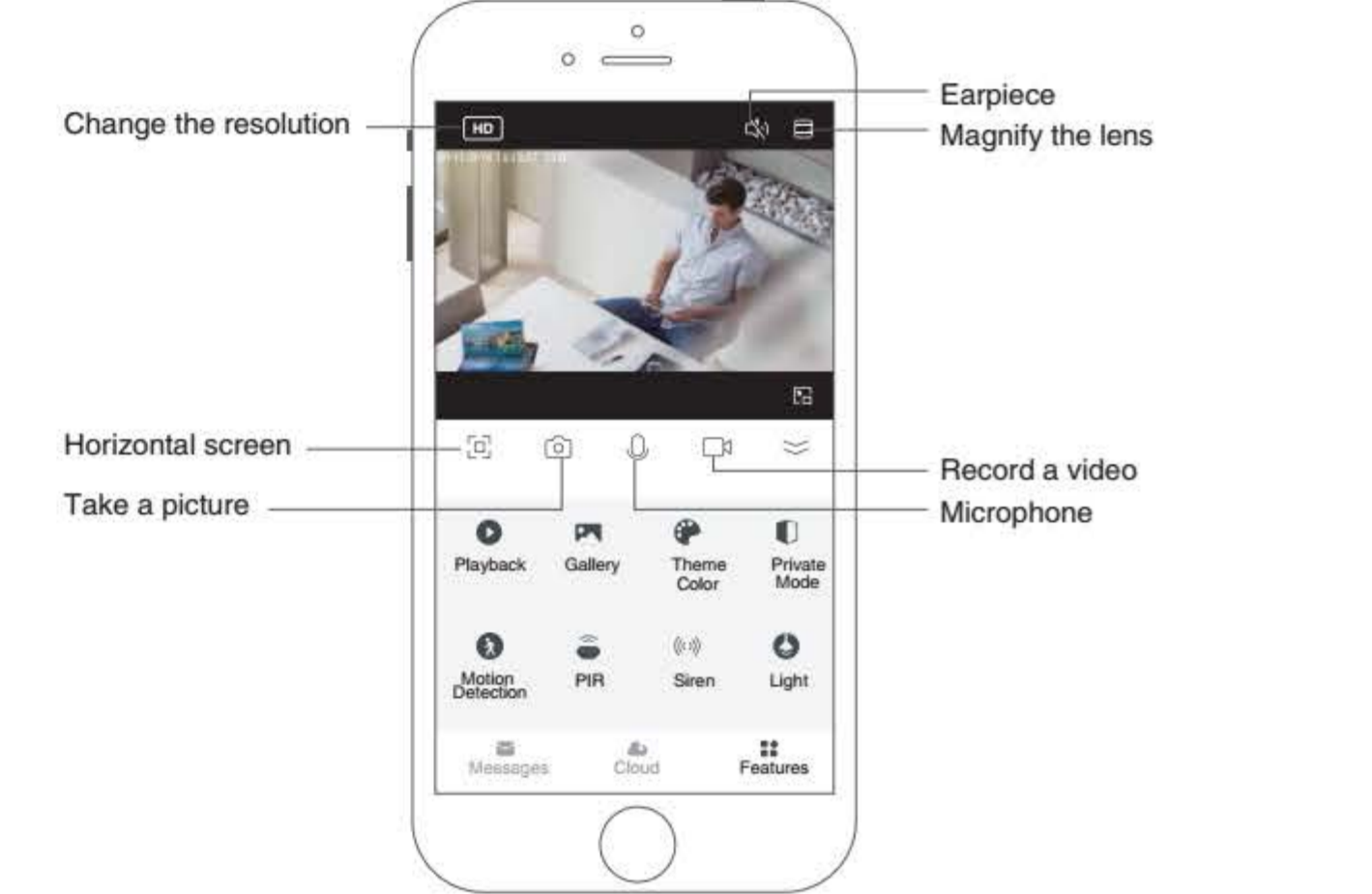
NO.	LED Status	Camera Status
1	Red LED on	System starting up
2	Red LED blinks	Standby for configuration
3	Blue LED blinks	Network pairing
4	Blue LED on	Camera online

### Micro SD Card

- To ensure Micro SD Card video recording works steady, we recommend Class 10 or higher speed Micro SD Card.
- To make sure the device works normally, please format the Micro SD Card to FAT32 before the first time use.
- Before insert or pull out the Micro SD Card, please power off the device. Insert the Micro SD Card properly into the slot as below.
- Micro SD Card up to 128GB (not included).

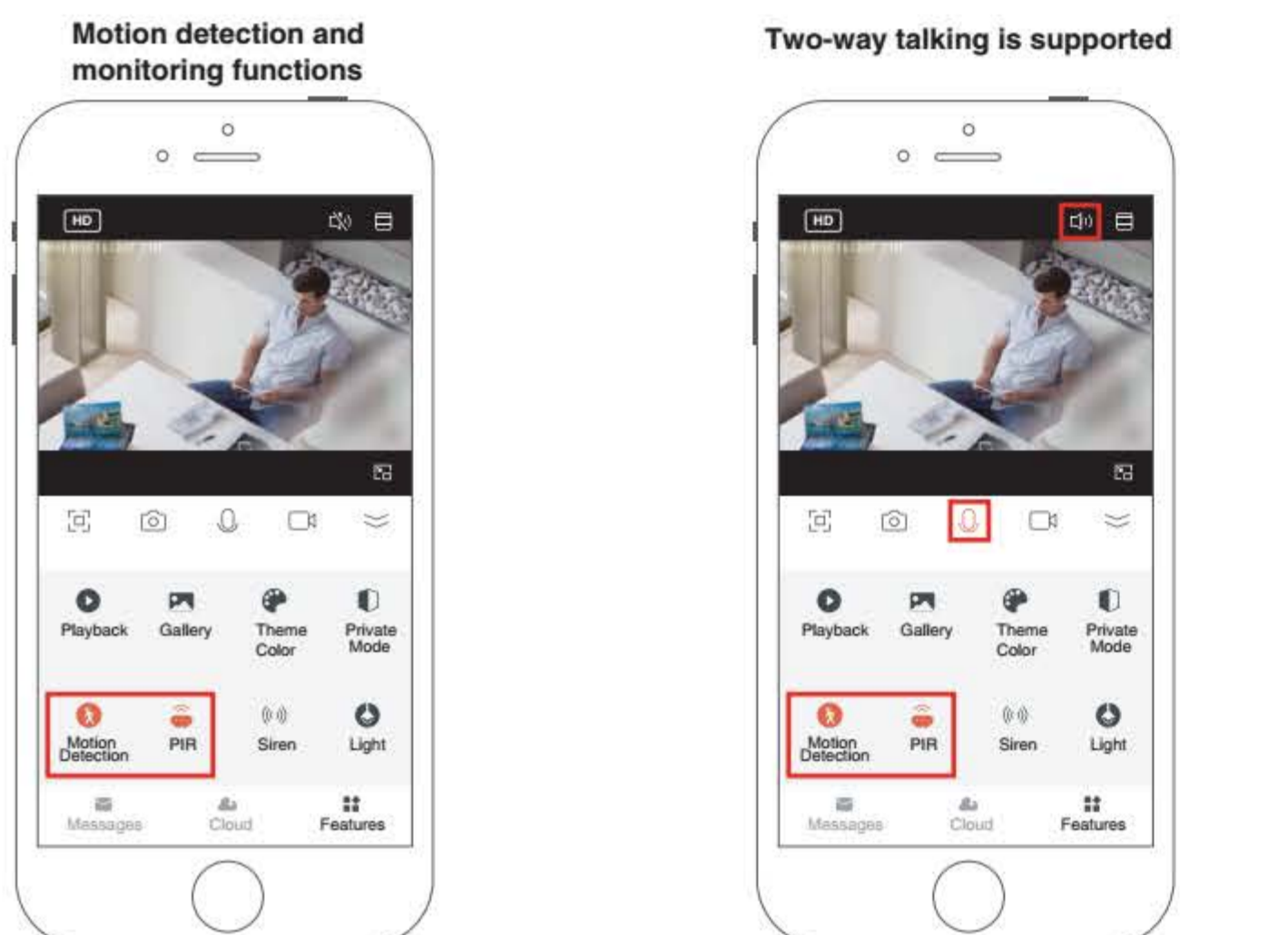


### HOW TO OPERATE THE APP



Playback	You can watch back the previous video recordings here. <b>Note:</b> Micro SD Card is required to watch back.
Microphone & Earpiece	If two way audio is needed, please set in "Settings" - "Basic function settings" - "Talk Mode" - turn on "Two-way talk".
Motion Detection	Switch for motion detection.
PIR	Activate the PIR and adjust its sensitivity.
Motion Detection&PIR	To activate the motion detection and monitoring functions, you need to turn on "Motion Detection" and "PIR" at the same time. With these functions, you can receive photos and alert notifications that the camera automatically captures when detecting a motion.
Siren	Press "Siren" to start the alarm.
Light	Manually switch on/off the lamp, adjust the brightness and set a timer.
Message	Check the monitored information.

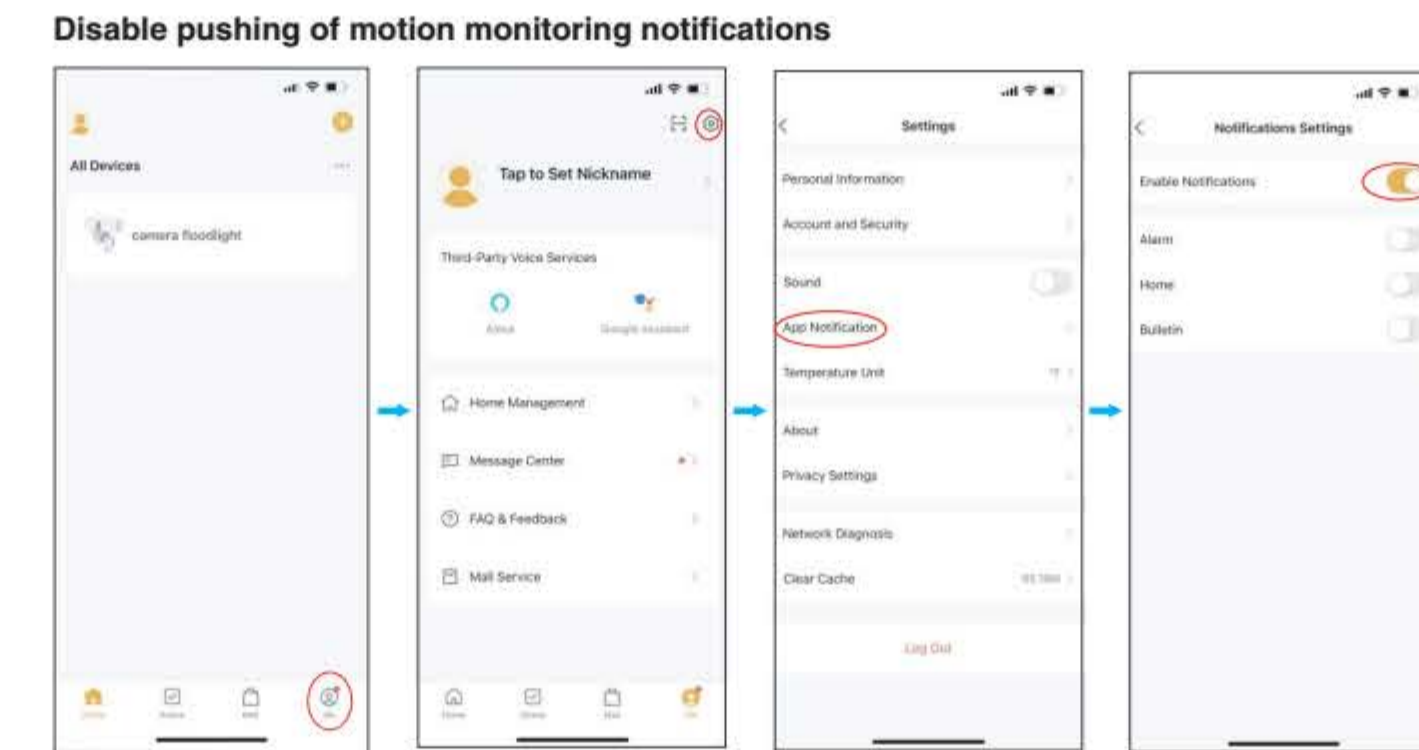
### HOW TO OPERATE THE APP



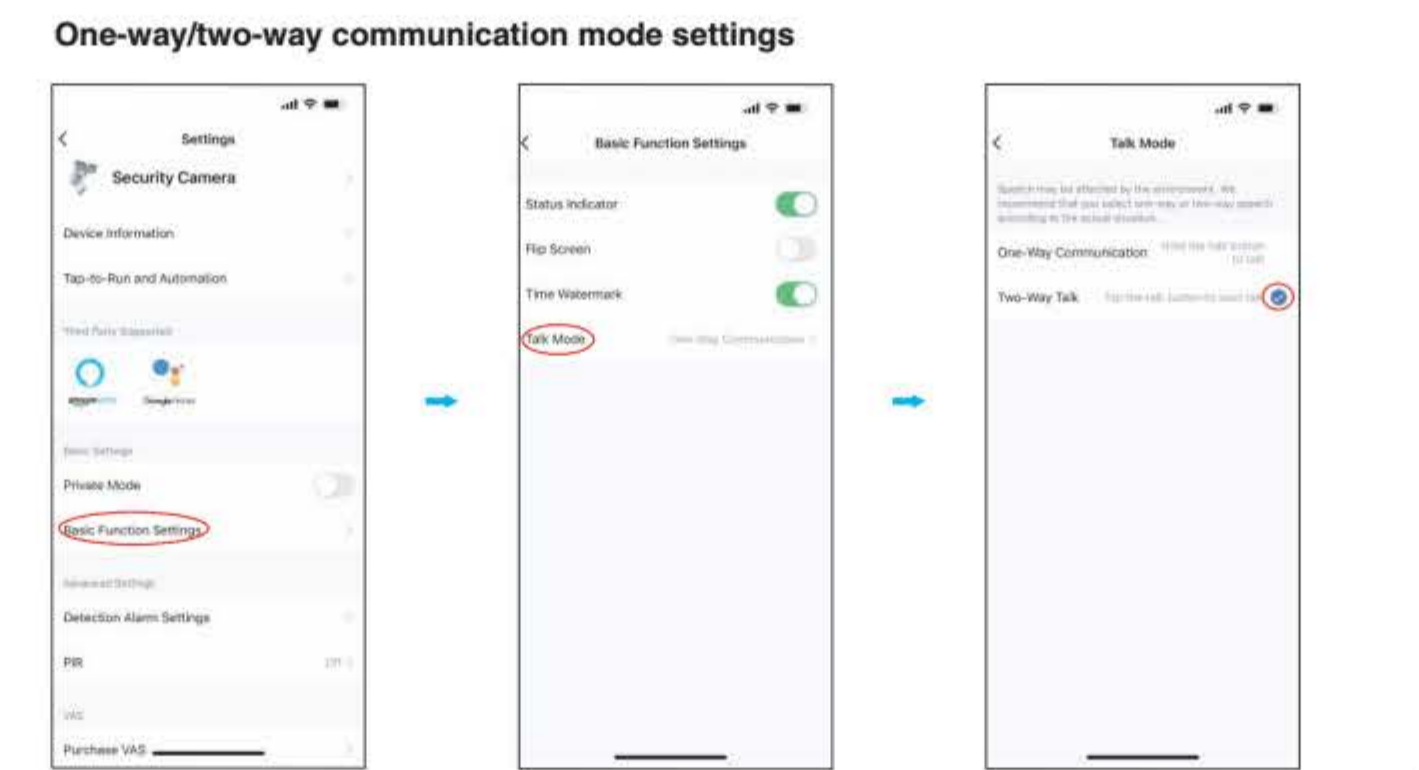
**Motion detection and monitoring functions**  
**Note:** To activate the motion detection and monitoring functions, you need to turn on "Motion Detection" and "PIR" at the same time. With these functions, you can receive photos and alert notifications that the camera automatically captures when detecting a motion.  
 After setting Motion Detection and PIR, lamp can be triggered to turn on automatically if camera is in the darkness.

**Two-way talking is supported**  
**Note:** To activate the communication mode, be sure to remove the slash on the "Earpiece" and turn on the "Microphone".

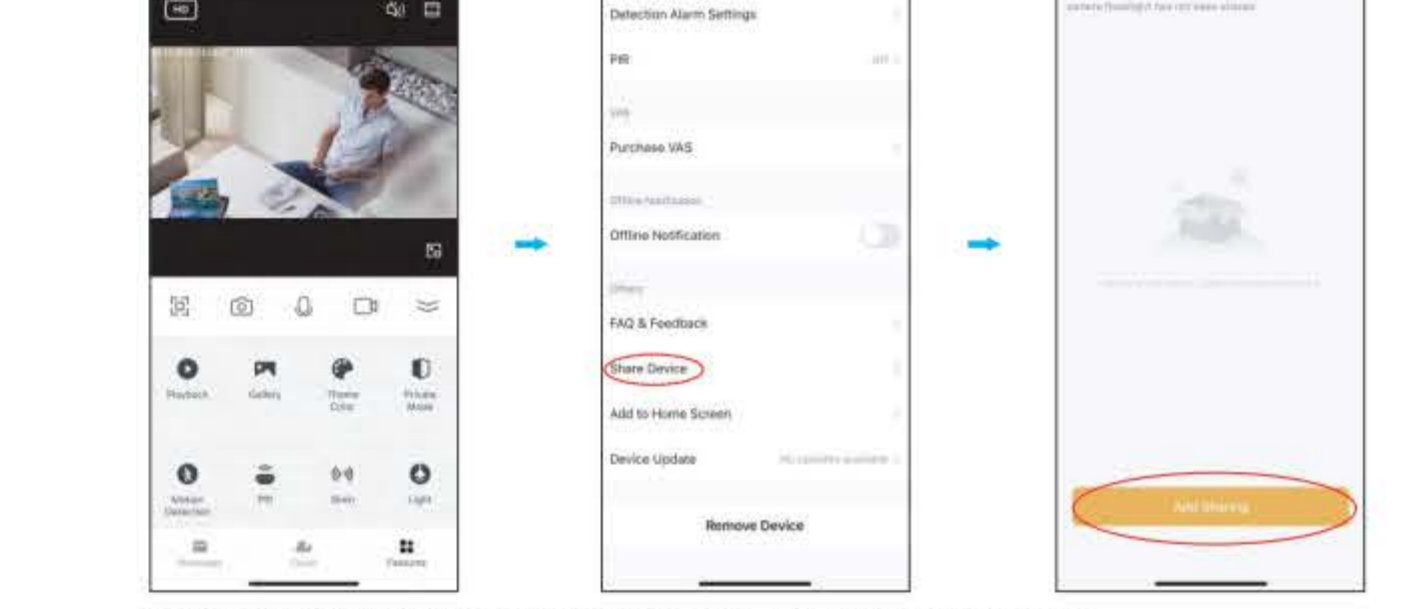
### HOW TO OPERATE THE APP



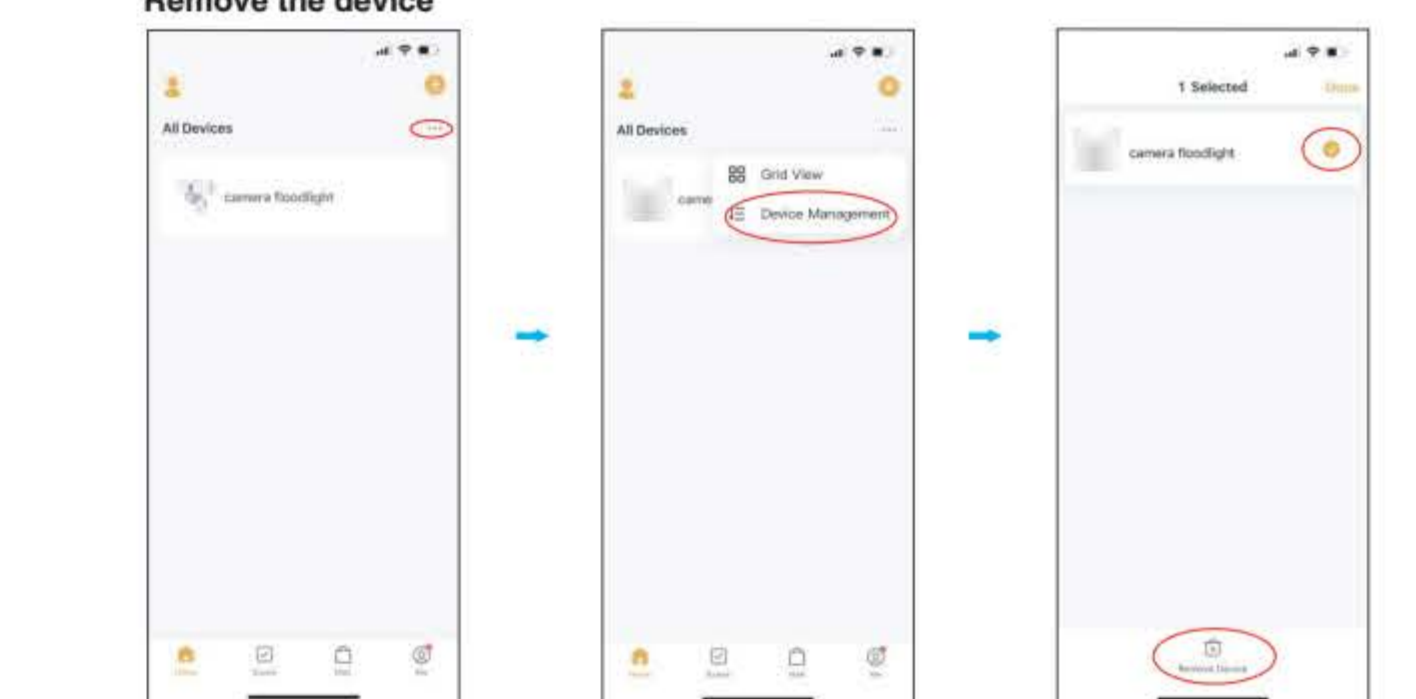
If you want to activate the motion monitoring function, but do not want to frequently receive notifications, you can disable the notification push feature.



### Share the device

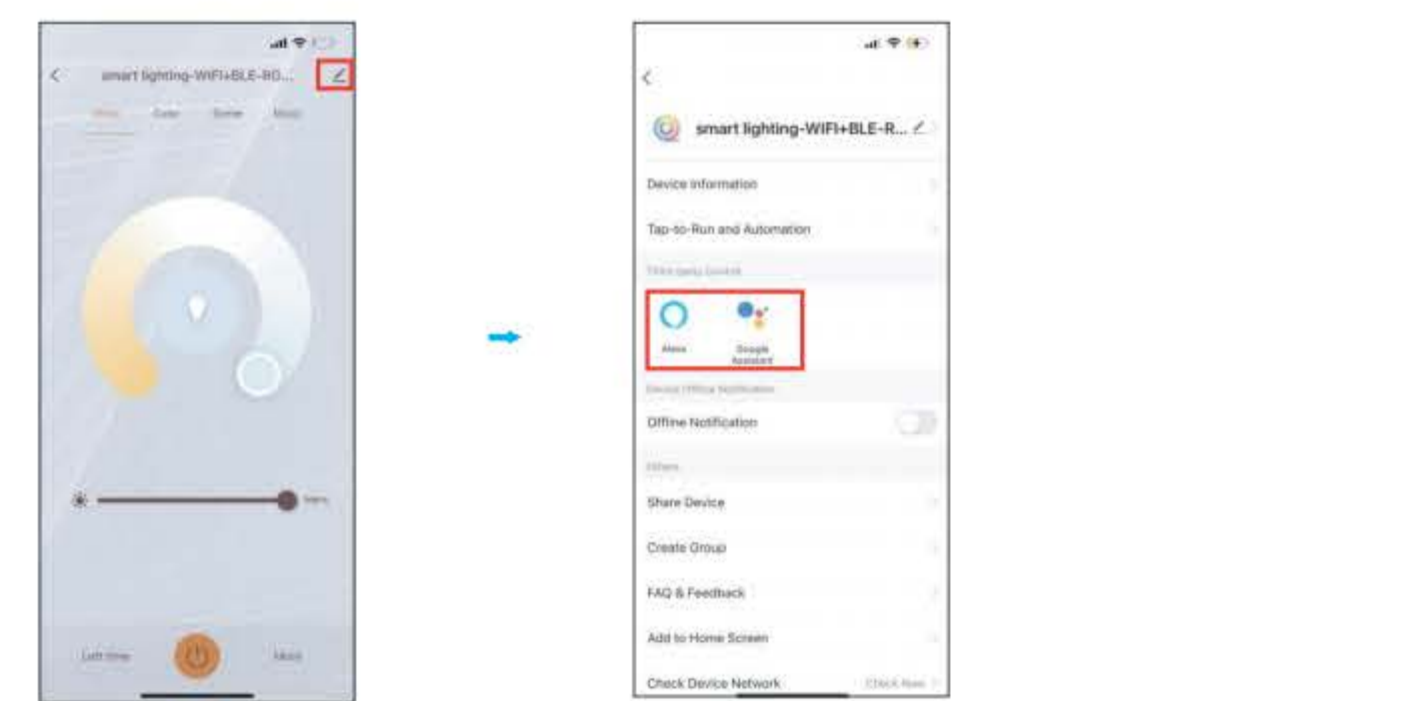


You can choose to share the device to other members of the family.  
**Note:** Shared family members can only view monitoring and notifications, but cannot set up the monitor.



When you replace your phone, or someone else wants to connect to the device, be sure to remove the device from your old phone first.  
**Note:** For security reasons, the device can only be connected by one person at a time. If someone else wants to see the camera information at the same time, you can refer to "Share the device".

### HOW TO CONNECT WITH ALEXA SHOW AND GOOGLE ASSISTANT APP



Tap " " and find the third-party voice device you want to connect to and tap it, then follow the steps to connect.

### FCC ID : 2A3W8BDB55SX-3

**FCC Warning:**  
 Any Changes or modifications not expressly approved by the party responsible for compliance could void the user's authority to operate the equipment.  
 This device complies with part 15 of the FCC Rules. Operation is subject to the following two conditions:  
 (1) This device may not cause harmful interference, and  
 (2) this device must accept any interference received, including interference that may cause undesired operation.  
**Note:** This equipment has been tested and found to comply with the limits for a Class B digital device, pursuant to part 15 of the FCC Rules. These limits are designed to provide reasonable protection against harmful interference in a residential installation. This equipment generates uses and can radiate radio frequency energy and, if not installed and used in accordance with the instructions, may cause harmful interference to radio communications. However, there is no guarantee that interference will not occur in a particular installation. If this equipment does cause harmful interference to radio or television reception, which can be determined by turning the equipment off and on, the user is encouraged to try to correct the interference by one or more of the following measures:  
 -Reorient or relocate the receiving antenna.  
 -Increase the separation between the equipment and receiver.  
 -Connect the equipment into an outlet on a circuit different from that to which the receiver is connected.  
 -Consult the dealer or an experienced radio/TV technician for help.  
 This equipment complies with FCC radiation exposure limits set forth for an uncontrolled environment. This equipment should be installed and operated with minimum distance 20cm between the radiator & your body.

### FAQ

- What if I can't connect to the camera?  
Please contact the seller and provide the number posted on the camera. We will help to solve the problem.
  - Can't find a Micro SD Card?  
First we suggest these famous and popular brands, like Samsung, SanDisk, Kingston etc. with at least class 10.  
Second, please format it to FAT32, which is the only format that camera can support.
  - Floodlight cannot turn on automatically?  
We designed it to be triggered only at night. Before that, please make sure "Motion Detection" and "PIR" are set well.
  - Siren cannot turn on automatically?  
Siren is designed to be turned on manually to avoid disturbing your neighbors.
  - Two way audio is not working?  
Please go to "Settings" - "Basic function settings" - "Talk Mode" - turn on "Two-way talk".
  - You cannot get the video for a long time?  
Please first make sure the camera is installed as close as possible to your router.  
It is not recommended to install the camera in a place where there are two thick walls away from the router.  
Please test your network and make sure it works well.
- For more questions, please send them via the "Settings" - "FAQ&Feedback" within the app.**

Manufacturer / Hersteller:  
 Shen Zhen Shi Meng Zhi Tuo Ke Ji You Xian Gong Si  
 Address: qian wan yi lu 1 hao A dong 201 shi qian hai shen gang he zuo qu Shen Zhen, Guang Dong, 518000, CN  
 support@onforuled.com www.onforuled.com

**[EU] REP** MDH LIGHTING LTD  
 Suite 302, 292 Strovolos Avenue, 2048 Strovolos  
 Nicosia, Cyprus | support@onforuled.com

**[UK] REP** MDH LIGHTING LTD  
 69 Aberdeen Avenue, Cambridge CB2 8DL,  
 United Kingdom | support@onforuled.com

Made in China

