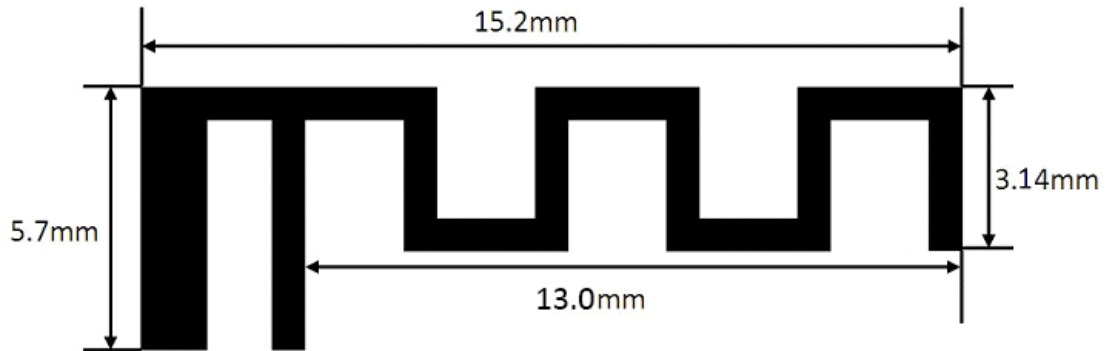


## ANTENNA SPECIFICATION

### Summary

ITEM	ANT SPEC					
Model Name	2.4G ANT					
Center Frequency	Horizontal			Vertical		
	2400Mhz	2450Mhz	2500Mhz	2400Mhz	2450Mhz	2500Mhz
	-1.74	-0.78	-0.58	-6.11	-3.69	-2.33
MAX. Gain	-0.58dBi					
Polarization	Horizontal and Vertical					
Azimuth Beam pattern	Omni-directional					
Impedance	50 Ohm					
Antenna Length	23.25mm					
Manufacture	ZHUHAI JIELI TECHNOLOGY CO.,LTD					
Address	No. 333 Kexing Road, Xiangzhou District, Zhuhai, China					

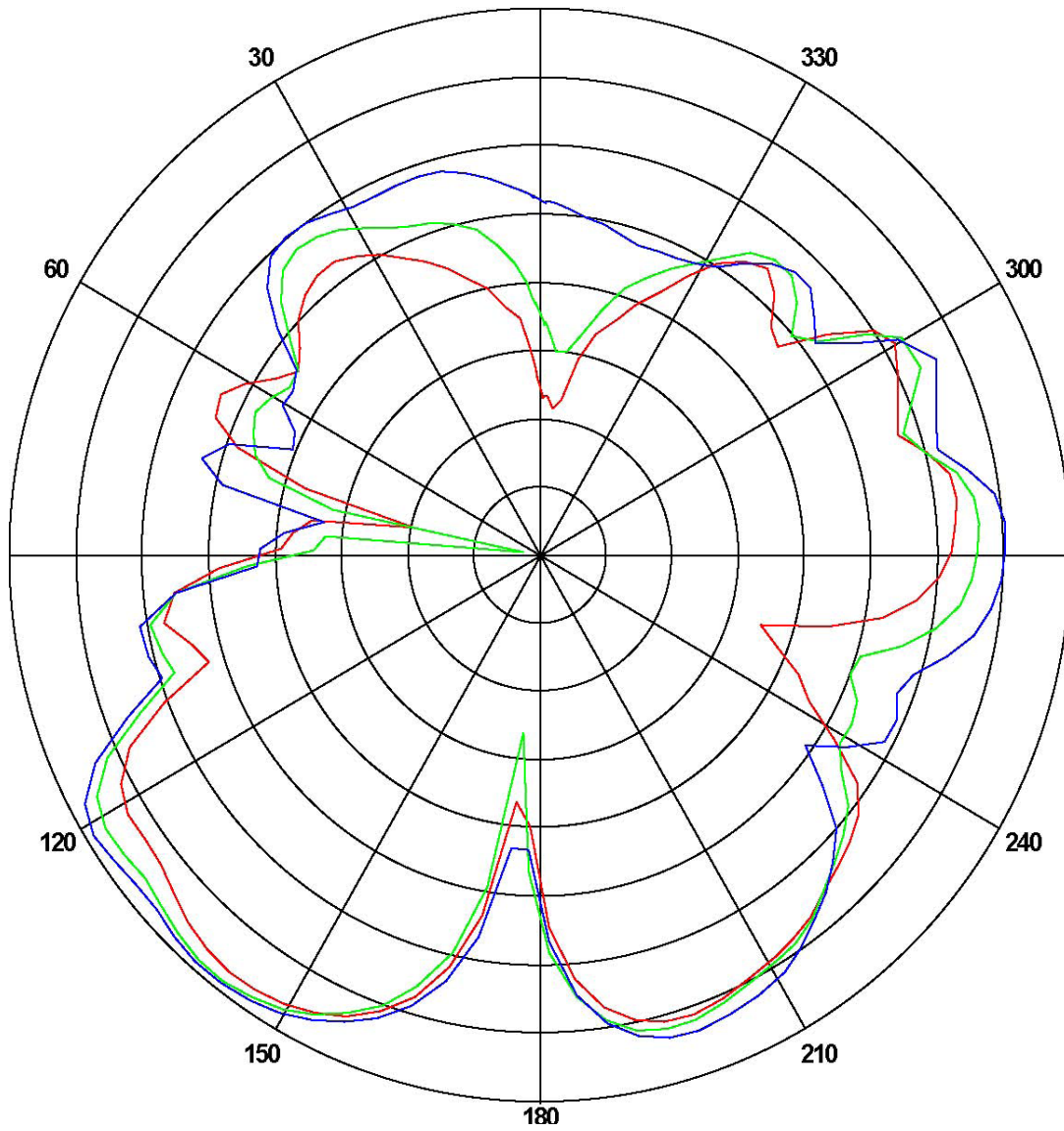
Antenna Photo & Length(mm)



Horizontal:2400MHz 2450MHz 2500MHz

Power (dBm)

Max:0 Min:-40 Scale:5/div

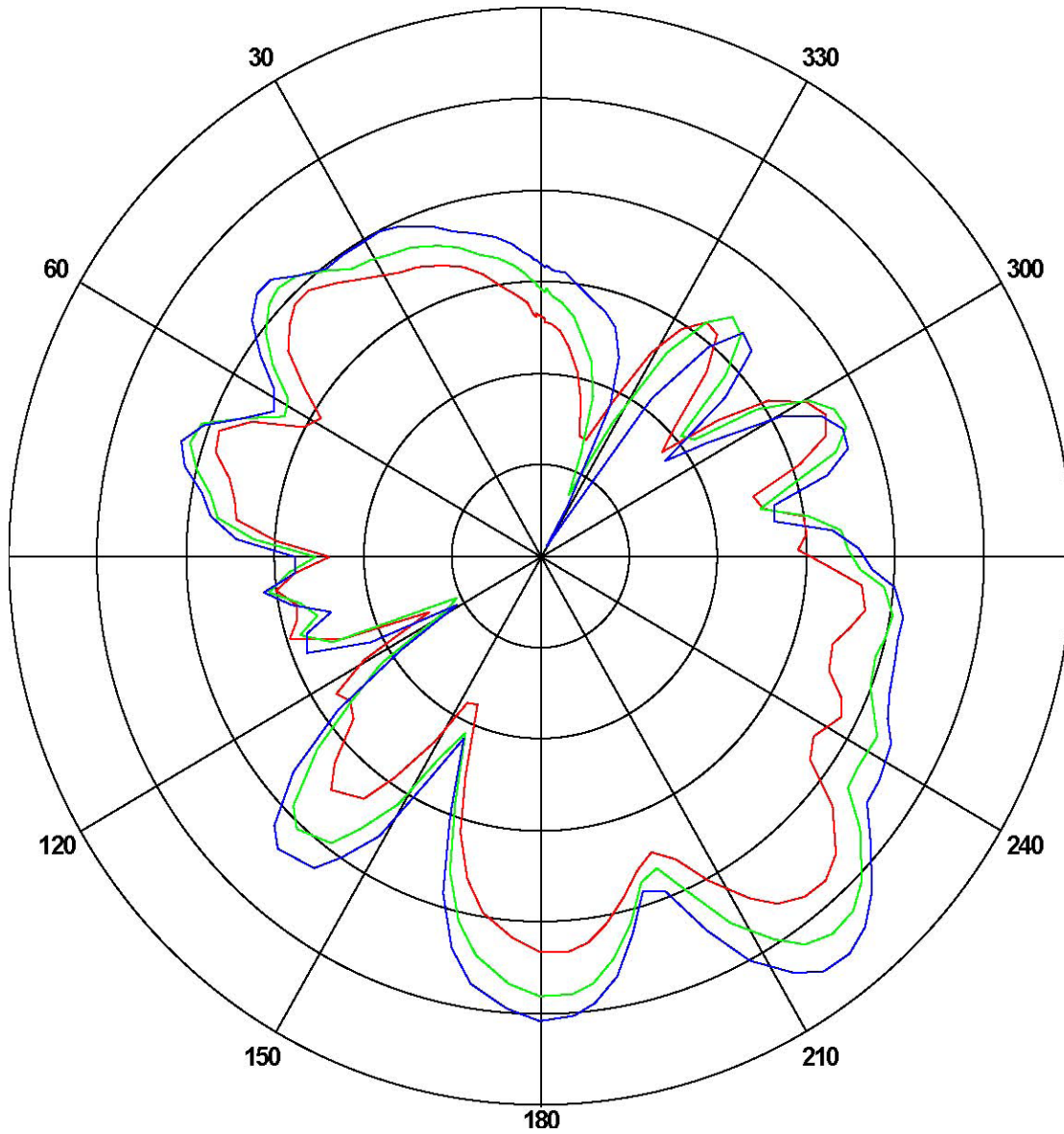


Frequency (MHz)	Gain (dB)		
	Max	Min	Avg
2400	-1.77018	-30.0791	-8.46306
2450	-0.81582	-38.5075	-7.87004
2500	-0.58298	-24.0201	-6.78117

Vertical:2400MHz 2450MHz 2500MHz

Power (dBm)

Max:0 Min:-30 Scale:5/div



Frequency (MHz)	Gain (dB)		
	Max	Min	Avg
2400	-6.1215	-24.1492	-13.0318
2450	-3.7497	-26.5489	-10.6809
2500	-2.39324	-30.4797	-9.75364