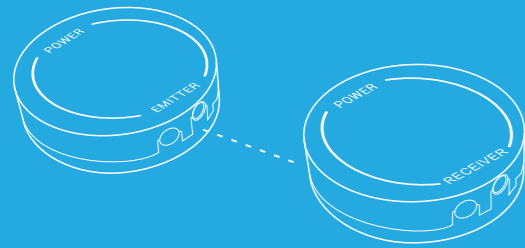


User Manual



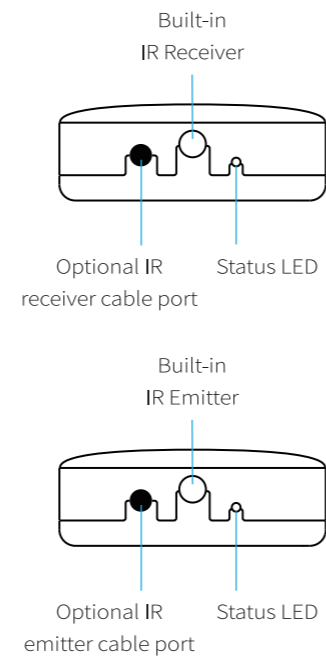
Thank you for purchasing this product. To ensure properly use and trouble-free operation, please read this manual carefully and store it in a safe place for future reference.

PACKAGE CONTENTS

- 1 X IR Receiver Unit
- 1 X IR Emitter Unit
- 1 X IR Receiver Extension Cable
- 1 X IR Emitter Extension Cable
- 2 X Power Adapters
- 2 X USB Power Cables
- 1 X User Manual
- 2 X 3M Adhesive

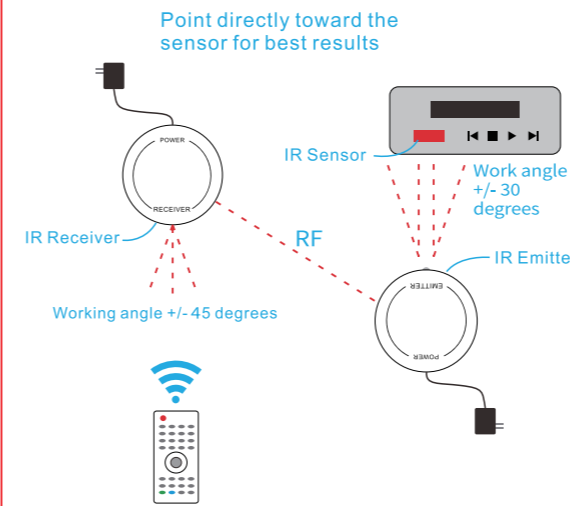
Input Voltage	5V DC
Receiver Standby Power	<0.2W
Emitter Standby Power	<0.2W
IR Frequency	20-60KHz
RF Frequency	433MHz

PRODUCT OVERVIEW



OPERATING INSTRUCTIONS

1. Typical Installation



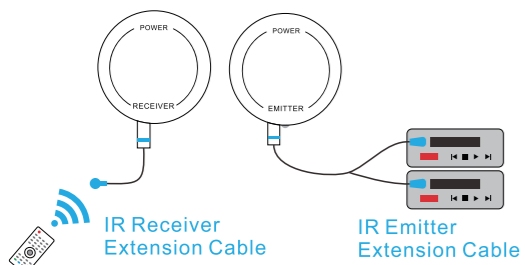
Step One: Plug the power adapter and connect it to the Infrared Receiver and the Infrared emitter via the USB power cables, the LED indicator of the receiver and the emitter will blink twice.

Step Two: Put the infrared receiver line-in-sight of the IR remote controller, ensure that the IR remote controller has a clear line of sight to the IR receiver bud, if the receiver receives a available signal, the LED indicator of the infrared receiver will blink.

Step Three: Put the infrared emitter line-in-sight of the device that need to be controlled, ensure that the infrared emitter bud has a clear line of sight to the IR "eye" of your device, if the emitter transmit has a available signal, the LED indicator of the infrared emitter will blink.

Note: It is easy to mistake the IR cable on the front for the port, please ensure that the power adapter is plugged into the appropriate port at the back and in place.

2. Optional The IR Receiver and The Emitter Extension Cable



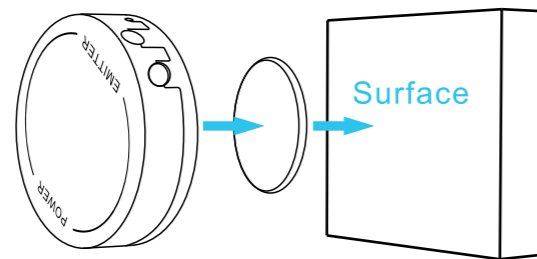
Step One: If you want to extend the reach or hide the IR receiver, connect the IR Receiver Extension Cable to the device.

Step Two: If you want to extend the reach or hide the IR Emitter, connect the IR Emitter Extension Cable to the device. The IR emitter cable can attach to the IR "eye" of the device you wish to control.

Note: Please keep in mind to place the extension cable's emitter bud attach to the IR "eye" of the device no further than 2 inches for the best signal.

ADHESIVE PLACEMENT

To keep the IR Infrared receiver and emitter in one place, we have included adhesive.



TROUBLESHOOTING

Problem	Case	Solution
The LED indicator of the receiver does not blink	Maybe you are using the non-infrared signal IR remote controller, such as the Bluetooth remote controller, the RF remote controller, or the WiFi remote controller.	This infrared receiver only supports the IR remote controller which can receive a infrared signal, not suitable for the non-infrared signal IR remote controller, please contact our customer service for help!
	The IR remote controller is beyond a available range to the infrared receiver.	Please move the IR remote controller close to the infrared receiver.
	The IR Remote controller is misaligned with the infrared receiver bud.	Please adjust the installation direction of the infrared receiver or the direction of the IR remote controller to ensure that the IR remote controller is aligned with the infrared receiver bud.
The LED indicator of the emitter does not blink.	The infrared emitter is beyond a available range to the infrared receiver.	Please shorten the distance between the infrared emitter and the infrared receiver.
	The infrared emitter is placed inside the object that shields the signal.	For example, a metal cabinet will shield the wireless signals and shorten the distance of wireless transmission, so please try to stay away from the metal shields.

Problem	Case	Solution
The controlled device does not working	The infrared emitter is too far away from the receiver bud of the controlled device.	The infrared emitter need to be aligned with the controlled device, and keep in mind they are no further than 16 inches.
	You are using the extension cable of the emitter, and the emitter is too far away from the receiver bud of the controlled device.	Please keep in mind to place the infrared emitter bud to the controlled device no further than 2 inches.
Other unexpected problem	Unkown reasons	Any issues, just feel free to contact our customer service, your satisfaction is the greatest motivation to us.

WARRANTY INFORMATION

If you have any product question, or you have any product issues, please contact our e-mail:

supportfourair@163.com

Your name: _____ Order number: _____
E-mail: _____ Phone: _____

FOURAIR™

FOCUS ON IMPROVING YOUR LIFE



This device complies with Part 15 of the FCC Rules. Operation is subject to the following two conditions: (1) this device may not cause harmful interference, and (2) this device must accept any interference received, including interference that may cause undesired operation

NOTE: This equipment has been tested and found to comply with the limits for a Class B digital device, pursuant to Part 15 of the FCC Rules. These limits are designed to provide reasonable protection against harmful interference in a residential installation. This equipment generates, uses and can radiate radio frequency energy and, if not installed and used in accordance with the instructions, may cause harmful interference to radio communications. However, there is no guarantee that interference will not occur in a particular installation.

If this equipment does cause harmful interference to radio or television reception, which can be determined by turning the equipment off and on, the user is encouraged to try to correct the interference by one or more of the following measures:

- Reorient or relocate the receiving antenna.
- Increase the separation between the equipment and receiver.
- Connect the equipment into an outlet on a circuit different from that to which the receiver is connected.
- Consult the dealer or an experienced radio/TV technician for help.

Warning: changes or modifications not expressly approved by the party responsible for compliance could void the user's authority to operate the equipment

The device has been evaluated to meet general RF exposure requirements, the device can be used in portable exposure condition without restriction