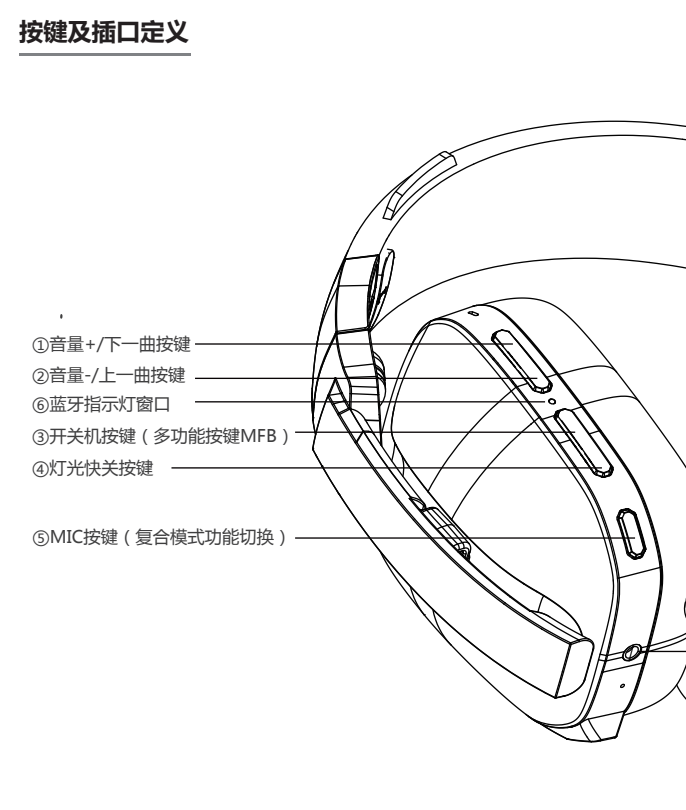


正面



产品规格
蓝牙耳机: V5.2
发射功率: CLASS2
无线连接范围: 约10米
工作频率范围: 2402-2480MHZ
耳机内置可充电锂电池容量: 1000mAh
连接充电器规格: DC 5.0V 500mA
正常充电时间: 约3小时
耳机工作续航时间: 约50小时 (关闭LOGO灯光, 60%音量播放音乐)
发射器供电: USB5V
发射器工作电流: <50mA

5. 麦克风静音
通过状态时, 按一次键为麦克风关闭, 语音提示 "MIC OFF"; 再按一次键为麦克风打开, 语音提示 "MIC ON".
蜂玩模式与音乐模式切换: 长按键2秒进行模式切换, 有语音提示Bee Play Mode或Music mode.
6. 灯光按键: 短按一次键, 关闭或开启LOGO灯光.



12. 耳机恢复出厂设置: 关机状态下, 长按键与键10秒, 恢复出厂设置, 当您恢复出厂设置完成后, 会发出提示音 "嘟嘟" 两声, 同时耳机的蓝灯和红灯同时双闪3次.
13. 有线模式: 用3.5mm音频线接入耳机即插即用; 此模式下, 只能使用音频线上的麦克风, 耳机上的麦克风无法使用.

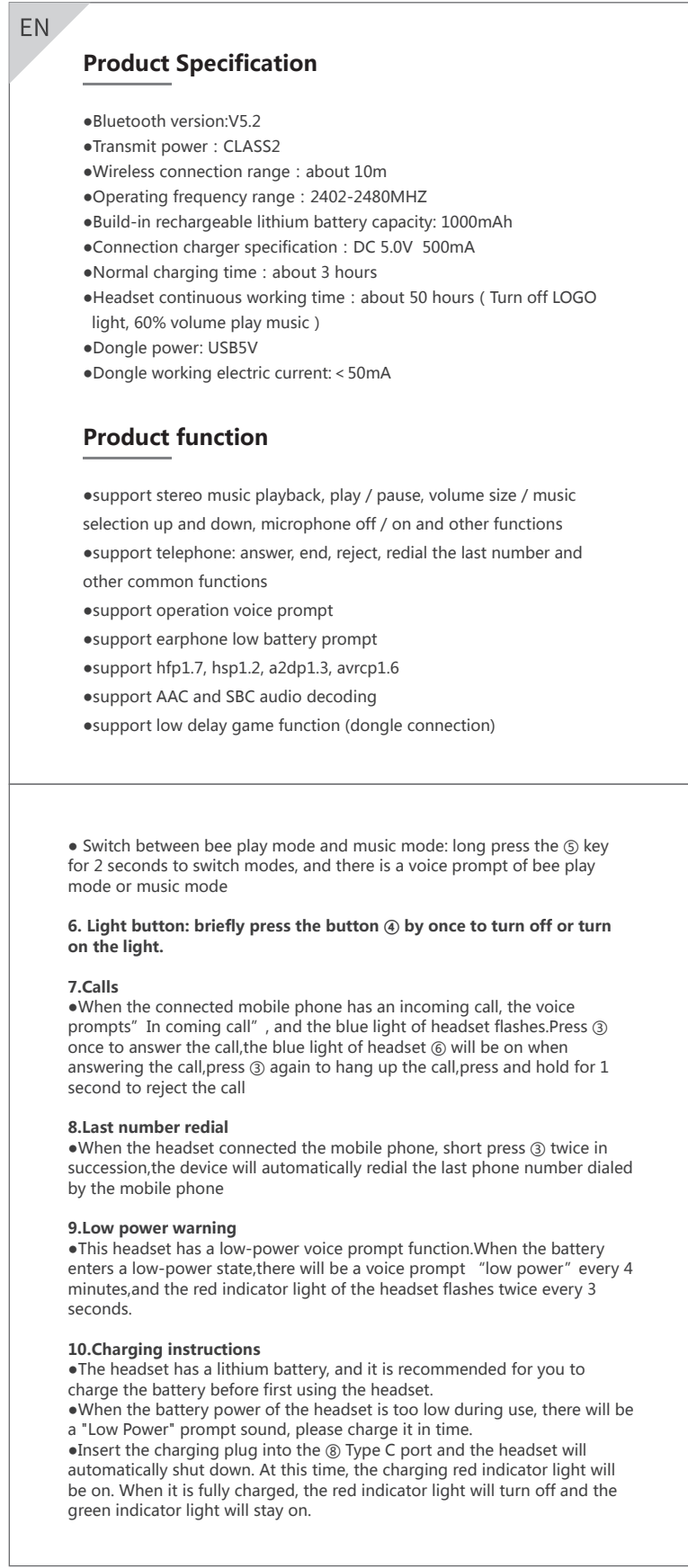
基本操作说明
1. 开机和无Dongle配对.
在关机状态下长按键约2秒后, 蓝牙耳机进入开机状态 (语音提示 "Power on"). 耳机开机后, 有配对连接过的会先进入回连, 无配对连接过的则进入配对状态 (语音提示 "Pairing").

【售后服务】
为不浪费您宝贵时间, 在送修前请检查下列各项.
故障现象 可能原因 排除方法
无法开机 电池电量不足 及时给电池充电

硕美科无线降噪耳机保修说明
保修条例
硕美科无线降噪耳机售后服务承诺: 严格依据《中华人民共和国消费者权益保护法》、《中华人民共和国产品质量法》实行售后三包服务, 服务内容如下:

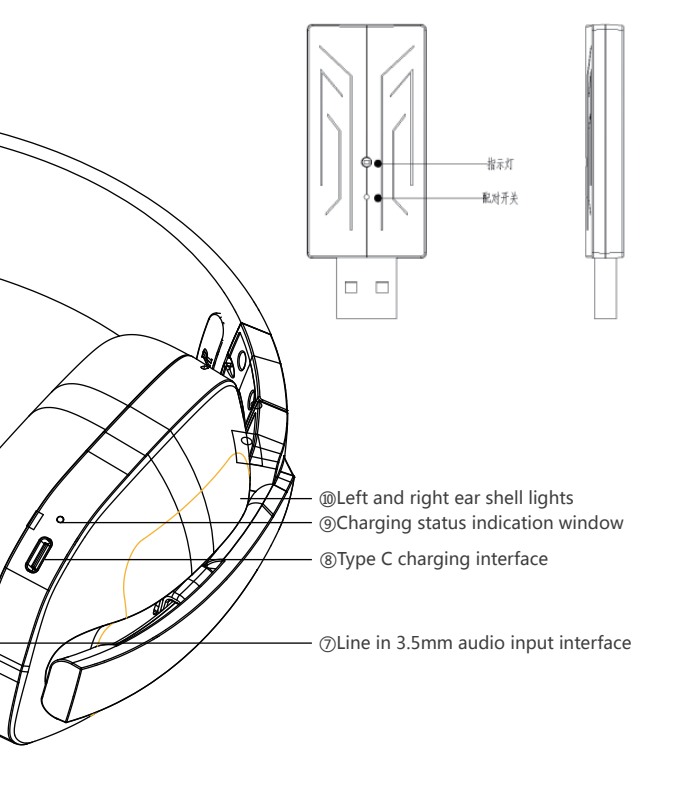
产品保修卡
尊敬的顾客:
您好! 申请售后时, 请根据您的实际情况填写产品保修卡, 并把产品与产品保修卡一同寄回您所购买产品的商家处, 谢谢!

背面



产品规格
蓝牙耳机: V5.2
发射功率: CLASS2
无线连接范围: 约10m
工作频率范围: 2402-2480MHZ
耳机内置可充电锂电池容量: 1000mAh
连接充电器规格: DC 5.0V 500mA
正常充电时间: 约3小时
耳机工作续航时间: 约50小时 (Turn off LOGO light, 60% volume play music)
Dongle power: USB5V
Dongle working electric current: <50mA

11. Bluetooth transmitter instructions
The Bluetooth headset and the Bluetooth transmitter have been paired at the factory settings. Plug the Bluetooth adapter into the USB port of the computer (or use the dongle extension cable on the USB interface) mobile phone, and the headset will automatically connect after it is turned on.



Headset and Accessories
1. Headset 1PC
2. Type C charging 1PC
3. User Manual 1PC
4. Dongle 1PC
5. 3.5mm Audio cable 1PC
6. Dongle Extension cable 1PC

①Volume + / next key: short press once to increase the volume by one level, long press to switch to the next song. When the volume reaches the maximum, there will be a "Max volume" prompt tone.
②Volume - / previous key: short press once to reduce the volume by one level, long press the previous key. When the volume is reduced to the minimum, there will be a "Min volume" prompt tone.

Unable to Paring
The phone has not yet enabled the Bluetooth function or has not yet opened the discoverable status. Start Bluetooth and set to discoverable.

Basic Operation Instruction
1. Turn on & Pairing
Long press the button for about 2 seconds in shutdown mode, the Bluetooth headset enters the power-on state (voice prompt "Power on").

Product Features:
1. The headset has four connection modes, including normal Bluetooth mode, Bluetooth low-latency mode (USB-A and Type C connection modes) and 3.5mm wired mode, which can be used in various scenarios and devices.

Bluetooth transmitter pairing: Bluetooth transmitter is inserted into the computer USB port, when the equipment identification is completed, the blue lights flash slowly, with a thimble by pairing inside the shell of the round hole pressing button for 2 seconds, pairing blue tooth transmitter into the state, the blue indicator light flashes, when the blue tooth transmitters and blue tooth headset paired and Connected successfully finished, voice prompt "Connected"; the blue light on the Bluetooth transmitter will light up.

警告:
NOTE: This equipment has been tested and found to comply with the limits for a Class B digital device, pursuant to part 15 of the FCC Rules. These limits are designed to provide reasonable protection against harmful interference in a residential installation.