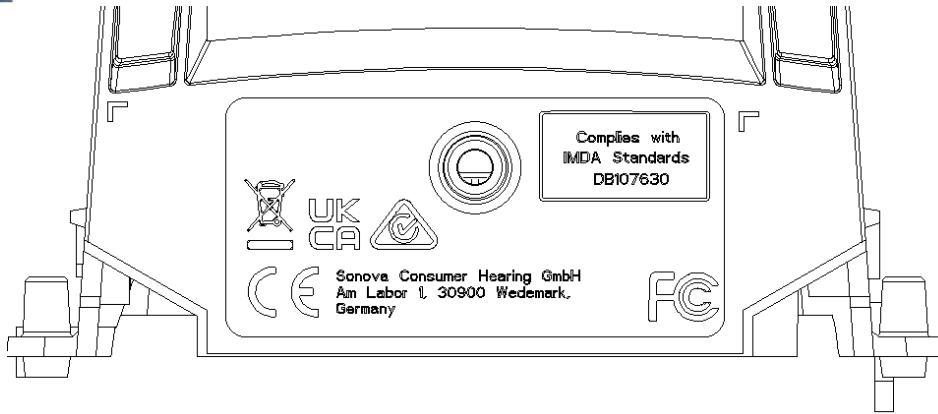
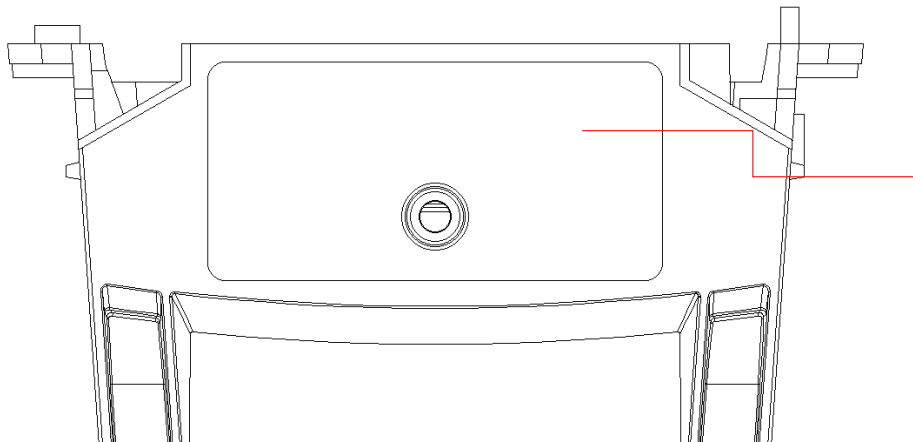



RS175

TR175/195 bottom plate (R) laser etching






TR175 bottom plate (L) label





 **SENNHEISER**
MODEL: TR 175

FCC ID: 2A3ULTR195
IC: 28115-TR195
MADE IN CHINA

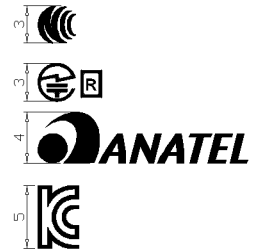
 MSIP-CRM-SE9-TR195
 CAN ICES3(B)/NMB3(B)

 CCAI14LP304AT4

 R 201-140464

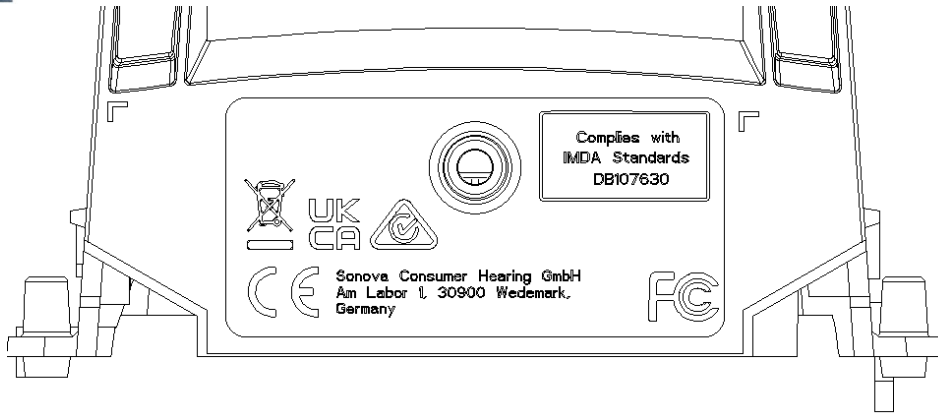
 **ANATEL**
04919 - 18 - 07356

texts : Arial ,H=1.25mm

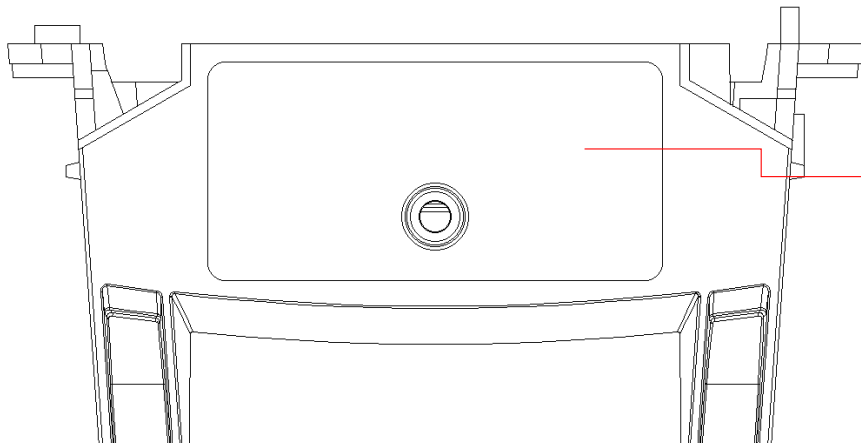


RS195

TR175/195 bottom plate (R) laser etching



TR195 bottom plate (L) label



 **SENNHEISER**
MODEL: TR 195
FCC ID: 2A3ULTR195
IC: 28115-TR195
MADE IN CHINA
 MSIP-CRM-SE9-TR195
CAN ICES3(B)/NMB3(B)

 CCAI14LP304AT2
 R 201-140464
 **ANATEL**
04919 - 18 - 07356

texts : Arial ,H=1.25mm

