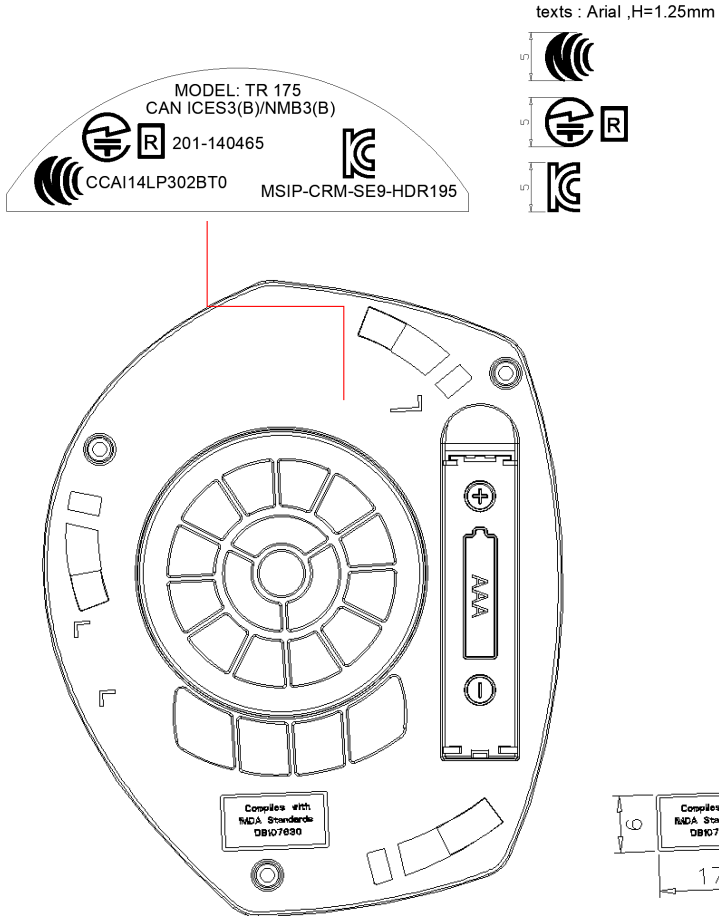
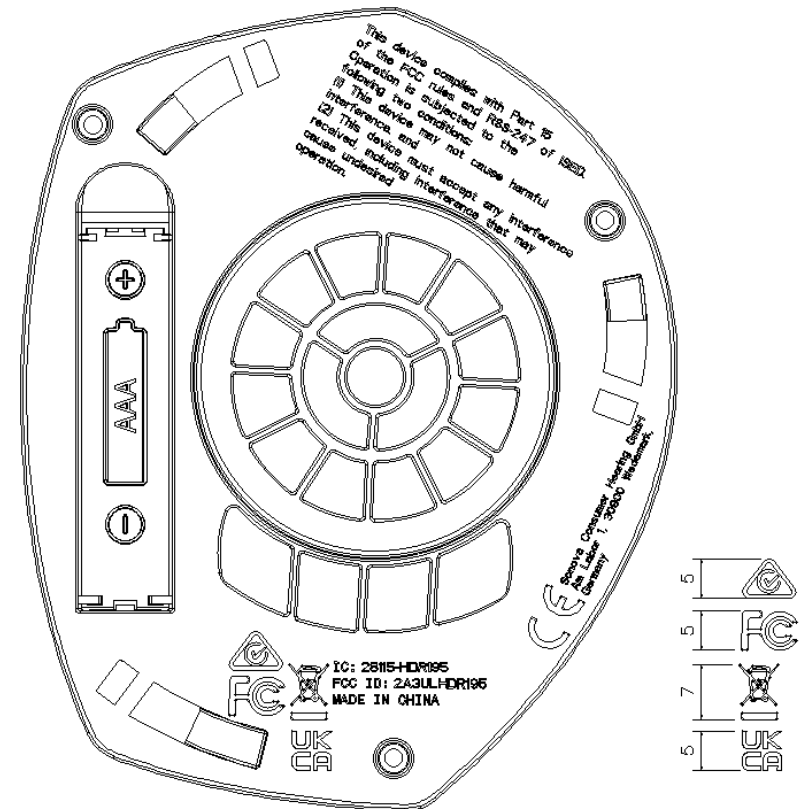


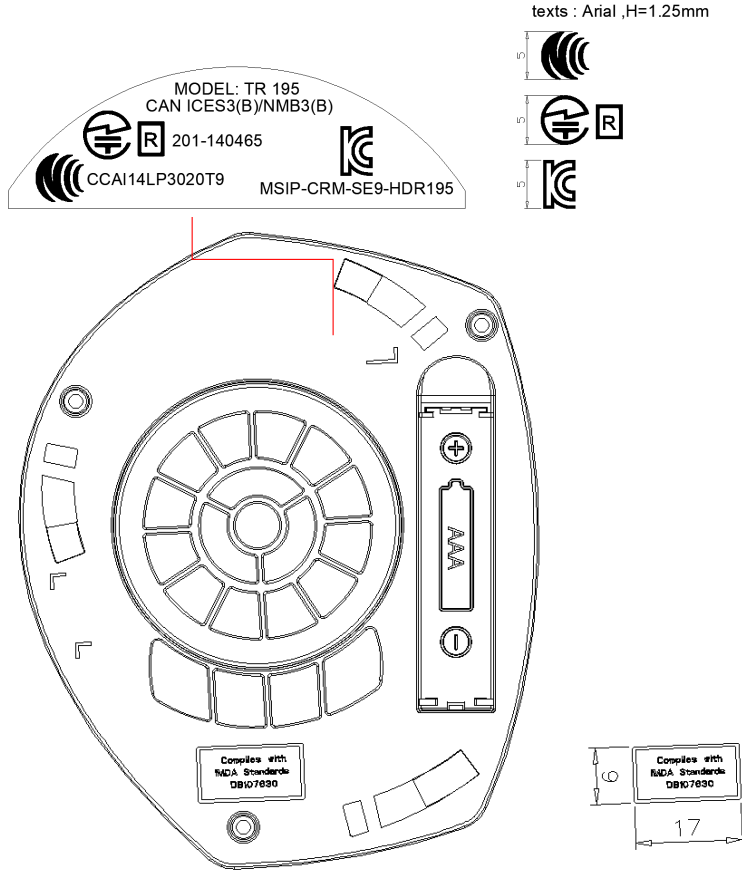
HDR 175 baffle plate (L) label



HDR 175/195 baffle plate (R) laser etching



HDR 195 baffle plate (L) label



HDR 175/195 baffle plate (R) laser etching

