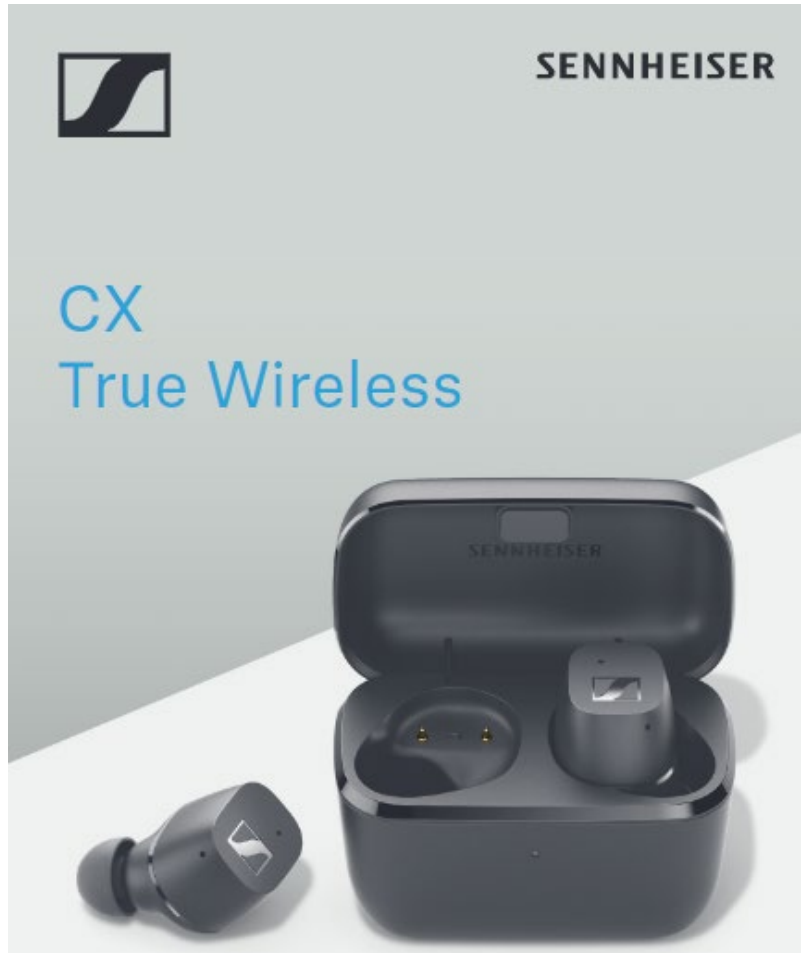


# FCC ID & IC ID Information (Model No: CX200TW1 L & CX200TW1 R)

## Front View





## Bottom View

Model: CX200TW1, CX200TW1 L, CX200TW1 R, CX200TW1 C	CX200TW1 Black Ord. No./Art.-Nr./N° Réf. <b>508973</b>	Frequency band: 2400-2483.5MHz Transmit power: 10mW (max)	FCC ID: 2A3ULCX200TW1L, 2A3ULCX200TW1R IC: 28115-CX200TW1L, 28115-CX200TW1R
 EAN 4 044155 256604	FC CE		R-R-SE9-CX200TW1 Serialisation No. (CN) 30mm x 10mm
	CAN ICES3(B)/NMB3(B) CMIIT ID: 2021DJ0685 CMIIT ID: 2020DJ15180 CCAI21LP0340T0 CCAI21LP0350T0 Warning notes inside/Warnhinweise innen/ Note de sécurité à l'intérieur/包装内含有警告说明   R-R-SE9-CX200TW1		
Complies with IMDA Standards DB107630	201-200942 201-200943	03815-21-07356 Raccolta carta	UPC 6 15104 35504 0

Model: CX200TW1, CX200TW1 L, CX200TW1 R, CX200TW1 C	FCC ID: 2A3ULCX200TW1L, 2A3ULCX200TW1R IC: 28115-CX200TW1L, 28115-CX200TW1R
---	--

**Compliance Information Model: CX200TW1**

Frequency band: 2400 – 2483.5 MHz  
Transmit power: 10 mW (max)

Country/Region	Right earbud Model: CX200TW1 R	Left earbud Model: CX200TW1 L	Charging case Model: CX200TW1 C
USA			
	FCC ID: 2A3ULCX200TW1R	FCC ID: 2A3ULCX200TW1L	-
Canada	 CAN ICES3(B)/NMB3(B)		
	IC: 28115-CX200TW1R	IC: 28115-CX200TW1L	-