

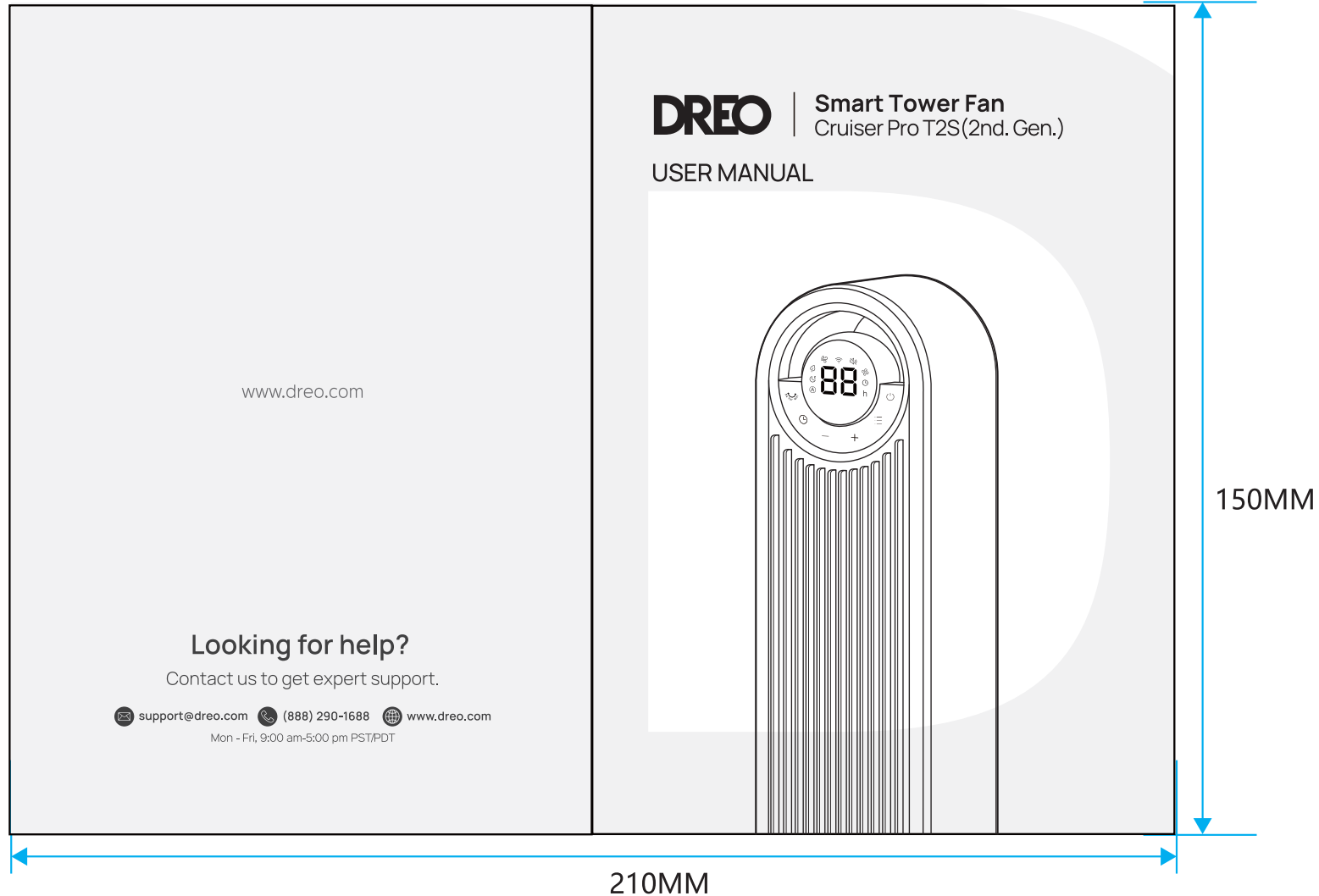
设计版本号	产品名称 Product name	比例 scale	日期 Date	设计师 Designer	审核 Audit	
Rev_1.0_EN	DR-HTF009S_美规说明书	1:1	20231127	Beryl	Harden	
Hesung innovation 和创新	材质印刷与 技术要求	封面封底:80g书纸 内页:80g书纸 印刷要求:双面印刷,文字线图清晰 装订方式:骑马钉装订	字体 Fonts	Manrope	尺寸 Size	105mm × 150mm

*此页删除不做印刷

图纸设计禁止修改,尺寸刀模图为准

封底

封面



	裁切线
	正折线
	反折线
	出血位
	粘胶区域

图层使用规范:	
1、备注信息图层为非印刷区域,展示印刷物料基础信息。	
2、刀标续、备注工艺、尺寸层展示印刷工艺部分。	
3、画面信息层展示印刷展示图片与文字。	
*电子文档为Adobe Illustrator制作	
文件格式: mode#规格类#日期 AI	(为可编辑原始文档)
文件格式: mode#规格类#日期.pdf	(为文件转出不可编辑文档)

审核	
检查事项	全页设计、印刷确认 (印刷前刀模确认)
审核检查事项	
图标规范	
字符规范	
工艺材料	
颜色标识	
产品文案	
条码检查	
厂址	
全成分	
警告标识	
执行标准	
产品尺寸	
外/内盒尺寸	
DEM信息*	
产品包装信息	
请相关部门确认产品、包装等信息!	
*DEM信息: 委托方及被委托方 信息(名称、地址、 邮编、电话、生产 许可证、卫生许可 证)	

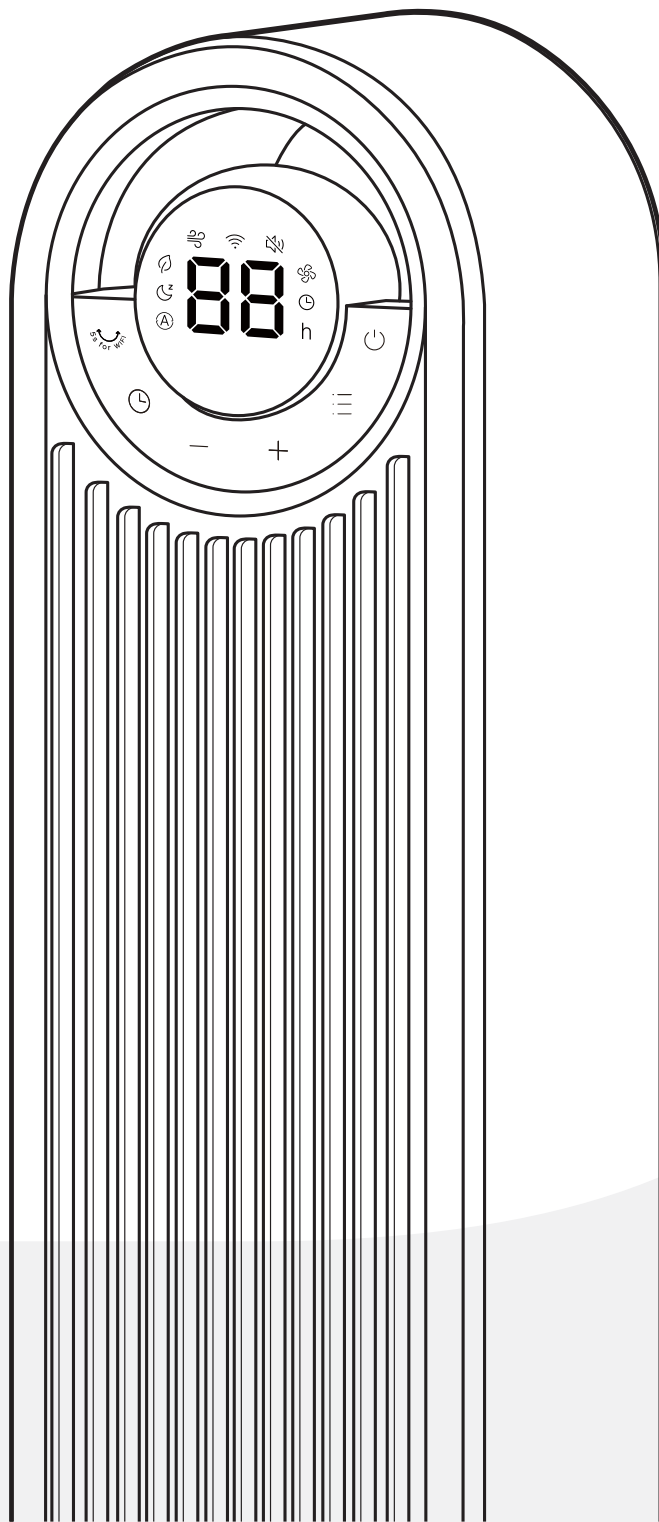
设计师	审核	产品负责人	法规	采购
-----	----	-------	----	----



Smart Tower Fan

Cruiser Pro T2S(2nd. Gen.)

USER MANUAL



”

Thanks for Choosing **DREO!**

Your support means the world to us.
We hope you enjoy our product as much as
we did creating it.

CONTENTS

01

IMPORTANT SAFETY
INSTRUCTIONS

1-2

02

ASSEMBLING YOUR
TOWER FAN

3-5

03

CONNECTING TO
YOUR TOWER FAN

6

04

KNOWING YOUR
TOWER FAN

7-8

05

USING YOUR
TOWER FAN

9-13

06

CLEANING AND
MAINTENANCE

14-17

07

TROUBLESHOOTING

18

08

DREO CUSTOMER
CARE

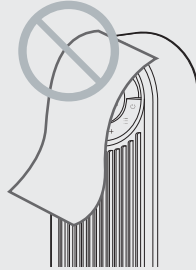
19-20

IMPORTANT SAFETY INSTRUCTIONS

01



READ ALL CAUTIONARY MARKINGS ON THE APPLIANCE AND SAFETY INSTRUCTIONS IN THE USER MANUAL BEFORE USE.



Do not cover the air inlet and outlet while in operation.



Do not use the fan near flammables and combustibles.

General Safety

1. Children shall not play with the appliance. Cleaning and maintenance shall not be performed by children without supervision.
2. Use the appliance as described in the user manual only. Any other use not recommended in the user manual may cause fire, electrical shock, or personal injury.
3. This appliance can be used by children aged above 8 years and persons with reduced physical, sensory or mental capabilities or lack of experience and knowledge if they have been given supervision or instruction concerning use of this appliance in a safe way and understand the hazards involved.

Operation Safety

1. Place the appliance on a flat, dry surface before use.
2. **Do not** immerse in water and any other liquids.
3. **Do not** use the appliance until the base is installed.
4. **Do not** insert your fingers, pencil, and any other objects into the grilles while in operation.
5. **Do not** dismantle, repair, or modify. All servicing should be performed by qualified personnel.

Electricity Safety

1. Make sure that the voltage of your electricity supply is the same as that indicated on the appliance.

2. Always unplug before cleaning or leaving the appliance unused for a long period of time. Keep your hands dry when plugging/unplugging.
3. Do not operate any fan with a damaged cord or plug. Discard fan or return to an authorized service facility for examination and/or repair.
4. Do not run cord under carpeting. Do not cover cord with throw rugs, runners, or similar coverings. Do not route cord under furniture or appliance. Arrange cord away from traffic area and where it will not be tripped over.
5. **WARNING:** To reduce the risk of fire or electric shock, do not use this Fan with any solid-state speed control device.
6. This appliance employs overload protection (fuse). A blown fuse indicates an overload or short-circuit situation. If the fuse blows, unplug the product from the outlet. Replace the fuse as per the user servicing instructions and check the appliance. If the replacement fuse blows, a short-circuit may be present and the appliance should be discarded or returned to an authorized service facility for examination and/or repair.
7. This appliance has a polarized plug (one blade is wider than the other). To reduce the risk of electric shock, this plug is intended to fit in a polarized outlet only one way, If the plug does not fit fully in the outlet, reverse the plug. If it still does not fit, contact a qualified electrician. Do not attempt to defeat this safety feature.
8. **WARNING:** To reduce the risk of fire, electric shock or injury to persons, do not use replacement parts that have not been recommended by the manufacturer (e.g. parts made at home using a 3D printer).

FOR HOUSEHOLD USE ONLY READ AND SAVE THESE INSTRUCTIONS

Gentle Reminder:



Check the appliance regularly and refer to TROUBLESHOOTING or contact our customer support if it shows any of the following signs:

- Power cord or plug is damaged.
- Loud noise, unusual smell or excessive heat.

Specifications

Model No.	DR-HTF009S
Input	AC 120V 60Hz
Rated Power	30W
Battery Type	CR2025 3V

ASSEMBLING YOUR TOWER FAN

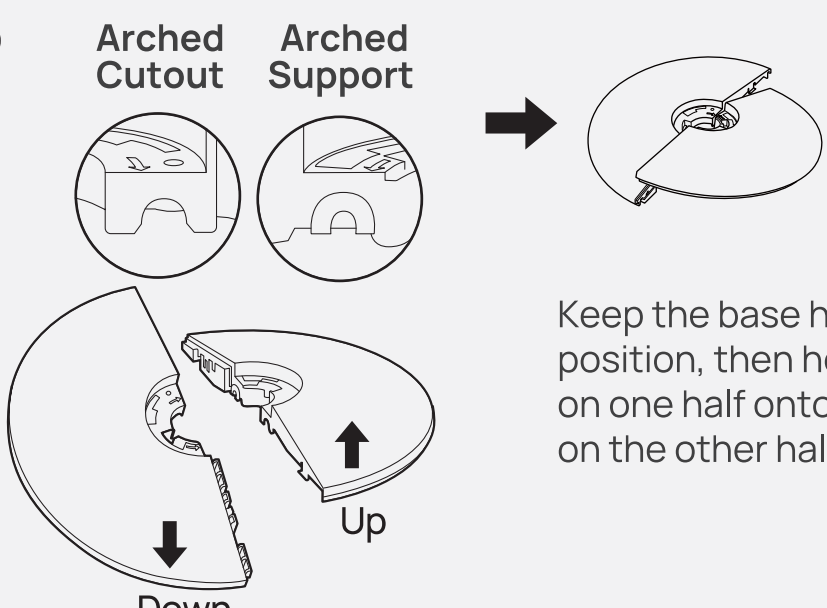
02

Assembly Instructions

When using the appliance for the first time, remove the wraps and attach the parts by following the steps below.

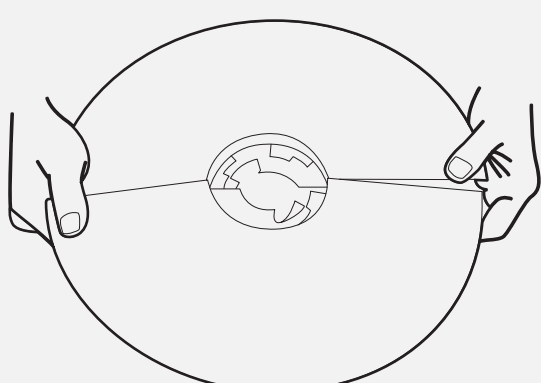
1

Arched Cutout **Arched Support**



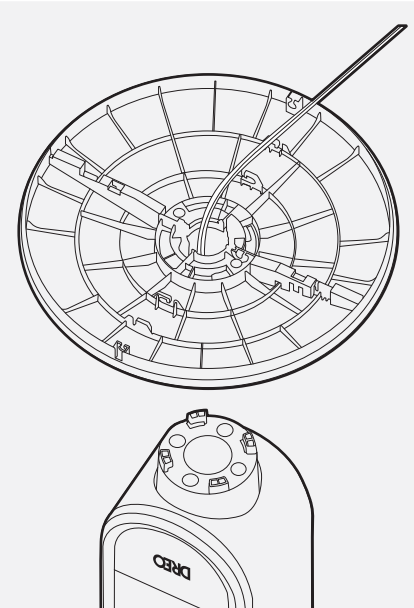
Keep the base halves in a crossed position, then hook the arched cutout on one half onto the arched support on the other half.

2



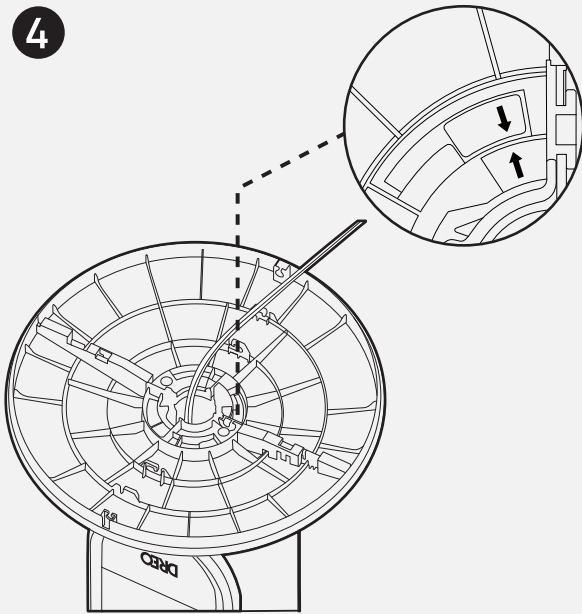
Press down on edges to click two base halves together.

3



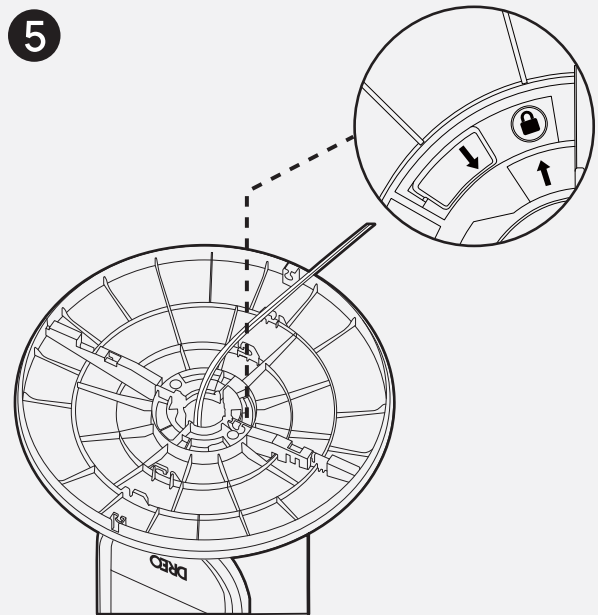
Run the cord through the center hole.

4



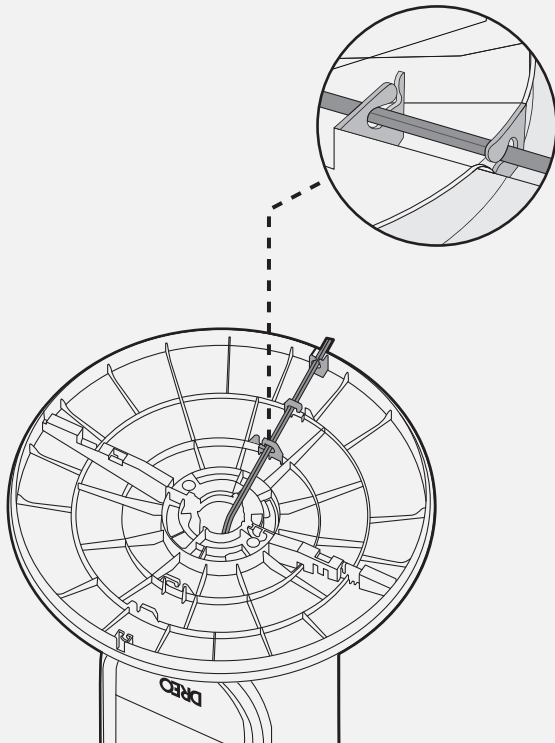
Fit the base onto the bottom of the fan by aligning the arrows on the underside.

5

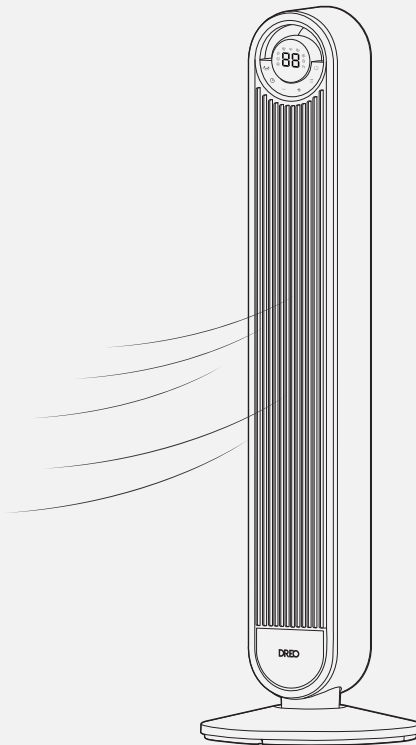


Rotate the base clockwise to lock in place.

6



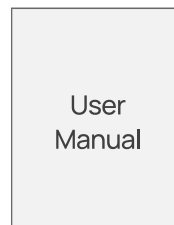
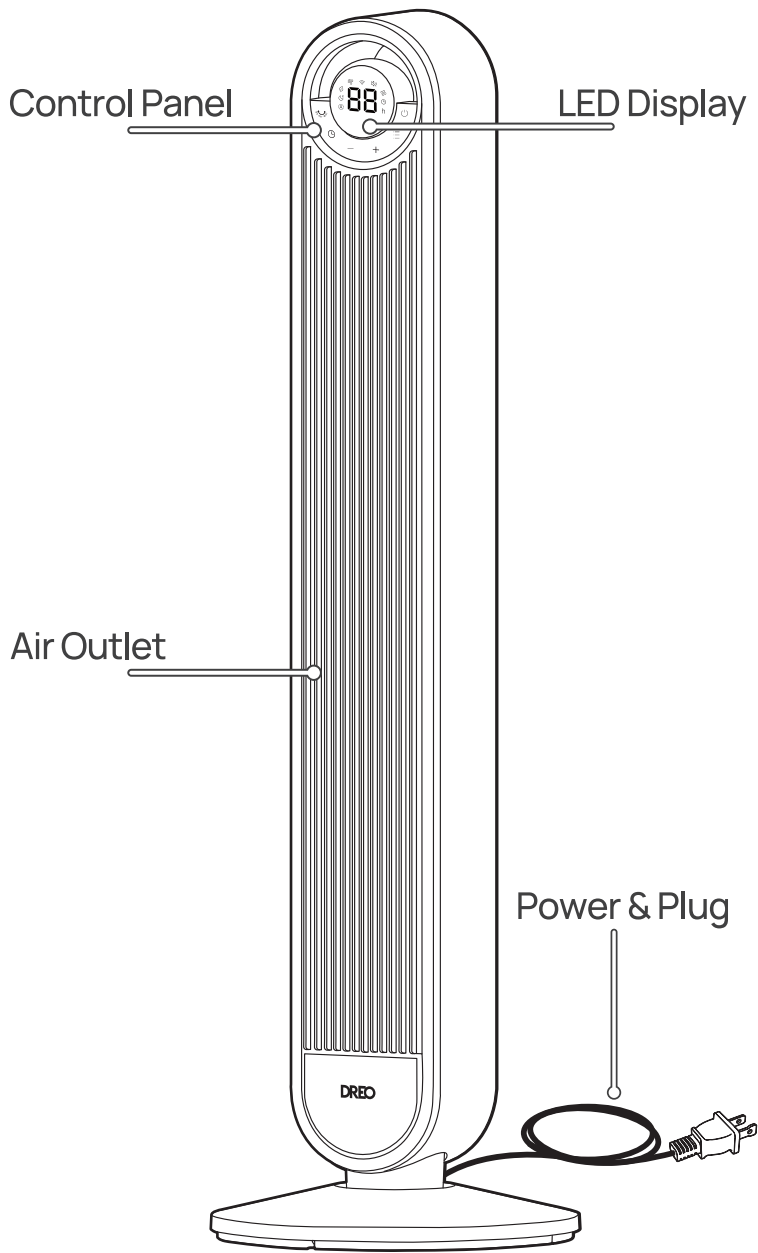
Thread the cord through all REAR cord keepers and put the fan upright.



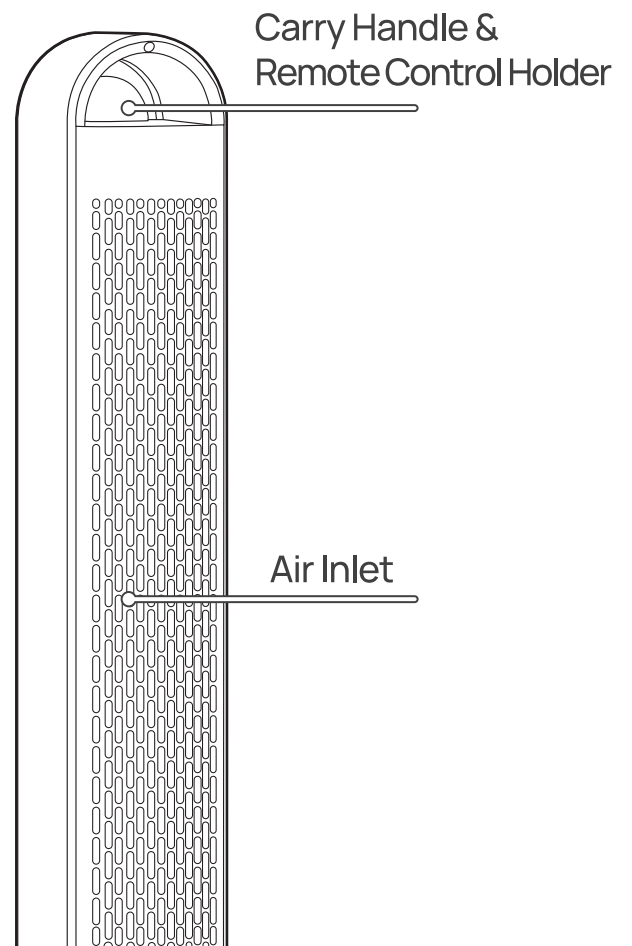
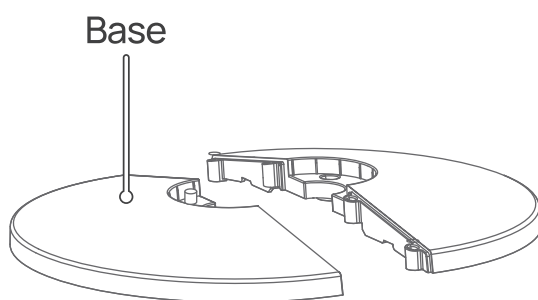
! CAUTION

- Do not operate the tower fan if the base has not been installed.
- Make sure to thread the cord through all rear cord keepers.

Package Contents



Remote Control (battery included)



CONNECTING TO YOUR TOWER FAN CRUISER PRO T2S

03



Before connecting the appliance to your mobile device, please scan the QR code on the left or go to the app store and search “**Dreo**”, then select and download the app.






Look for “**Cruiser Pro T2S (2nd. Gen.)**” when connecting your new tower fan.



You can use the Dreo app to connect your smart tower fan to **Amazon Alexa** or **Google Home**. Please follow the in-app instructions to set up your voice assistant.

NOTE: You must create a Dreo account to access voice assistants.

- 1 Launch Dreo and sign in or create account by following in-app instructions.
- 2 Enable Bluetooth on your mobile device and plug in your tower fan.
- 3 Hold the Oscillation button  for 5 seconds to start WiFi connection settings.
(Tip: The WiFi icon  will keep flashing when pairing.)
- 4 Tap + **Add Device** and select **Cruiser Pro T2S (2nd. Gen.)**.
- 5 Follow in-app instructions to complete WiFi connection.
- 6 You're now ready to control the appliance on your app.
(Tip: To restart connection settings, hold the Oscillation button  again for 5 seconds.)

Long press 10 seconds power button  to unpair WiFi and restore factory settings.

KNOWING YOUR TOWER FAN

04

Control Panel



Power Button

- Turn power on/off



Mode Button

- Switch between Normal/Natural/Sleep/Auto Mode



Increase Button

(1-9 speed levels)



Decrease Button

(1-9 speed levels)



Timer Button

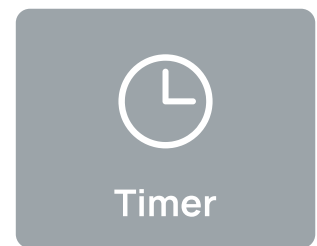
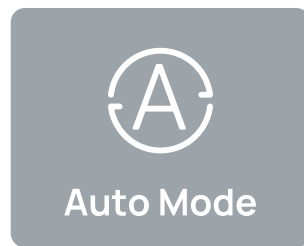
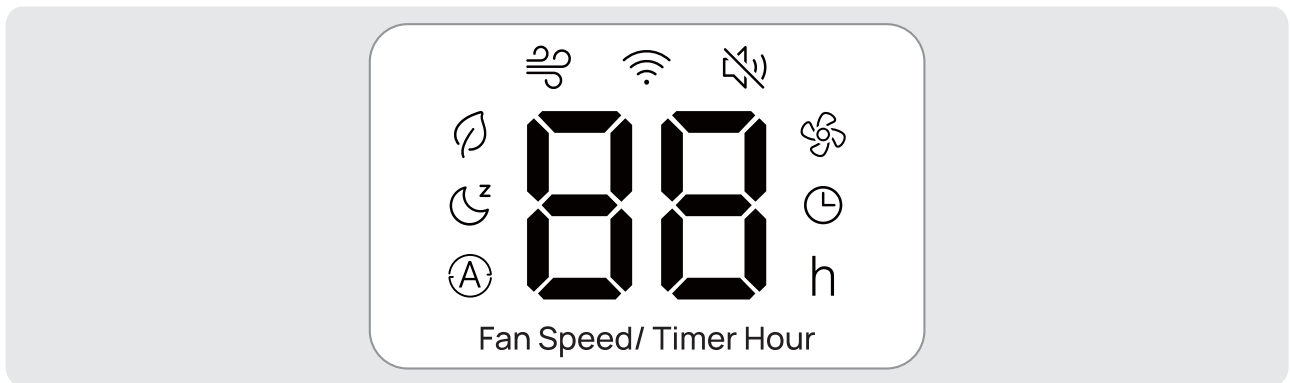
Select to set a timer (0-12h)



Oscillation Button

- Adjust airflow direction
- Long press 5s to start network settings and device pairing

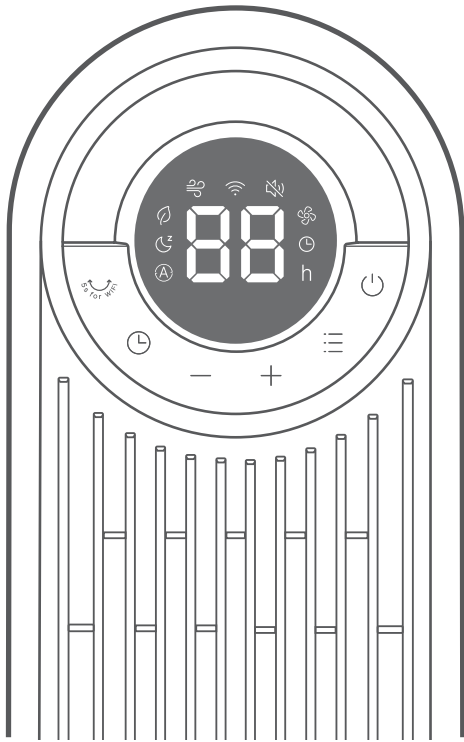
LED Display



USING YOUR TOWER FAN

05

General Operations



- 1 Touch to turn on, and to choose a working mode.
- 2 Touch and to adjust the airflow volume.
- 3 Touch to change the airflow direction.
- 4 Touch to set a timer.
- 5 Touch to turn off the fan.

Working Modes



Sleep Mode
(Mute Auto On)

Fan speed decreases every 30 minutes.

Speed decreases by two levels at most and will remain constant if at level 1:

For level 9: 9 → 8 → 7

For level 8: 8 → 7 → 6

For level 7: 7 → 6 → 5

For level 6: 6 → 5 → 4

For level 5: 5 → 4 → 3

For level 4: 4 → 3 → 2

For level 3: 3 → 2 → 1

For level 2: 2 → 1

For level 1: 1



Auto Mode

Fan speed adapts to the ambient temperature.



Normal Mode

Fan runs at the constant speed.




Natural Mode

Fan runs at alternating speeds.

Additional Features



Mute

Long press the Mode Button or press  on the remote control to turn on/off the button sounds.



Firmware Update

Check the firmware version on the Dreo app and update regularly for the fan to work more efficiently.

 Display will show “UP” during the update process.
Do not operate until the update is completed.



Timer

When the fan is ON/OFF, touch the timer button repeatedly to set a timer (1-12 h). When the timer ends, the fan will stop/start running automatically. To cancel, set the time to 0 hour.

Note: Display will return to fan speed after 3 seconds.



Memory

If the fan is turned OFF and connected to power, it will operate under the previous settings (except the timer setting) when it is turned ON again.

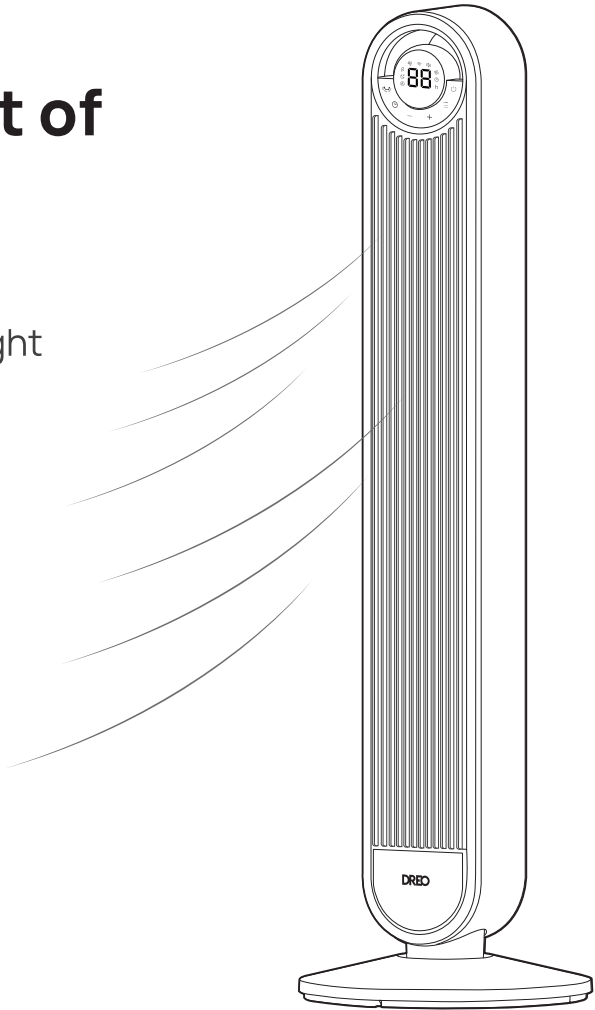


Display Auto Off

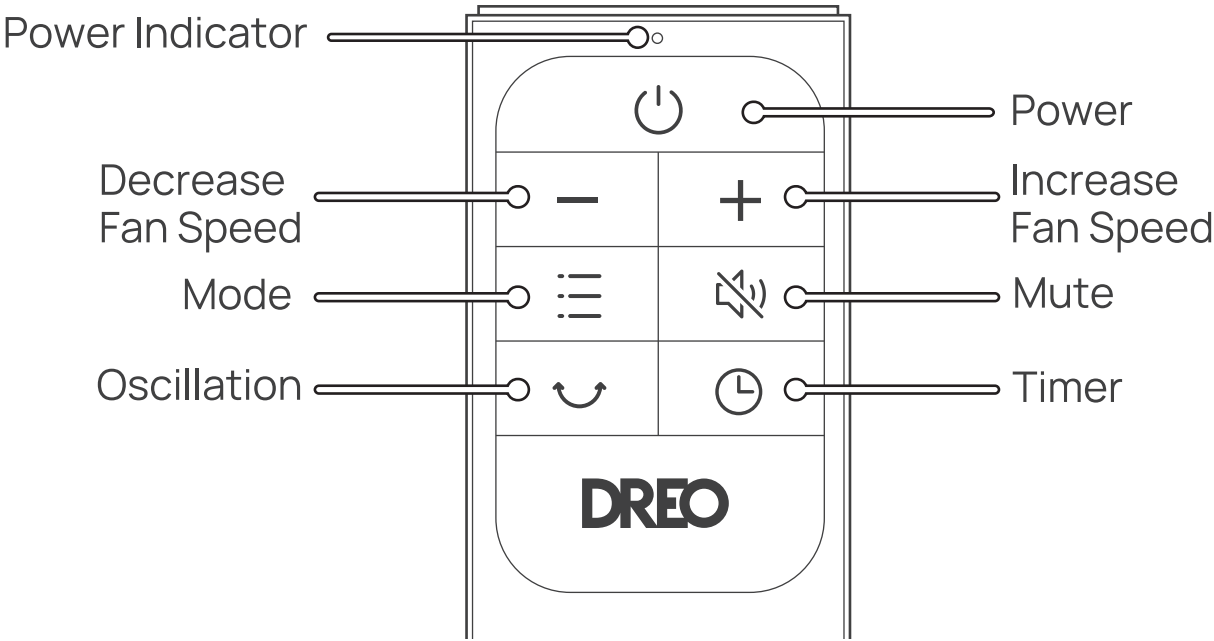
- Display turns off after 1 minute (after 5 seconds in sleep mode).
- Wake up the display with any button.
- To disable this feature, please go to the Dreo app.

Getting the Most out of Your Tower Fan

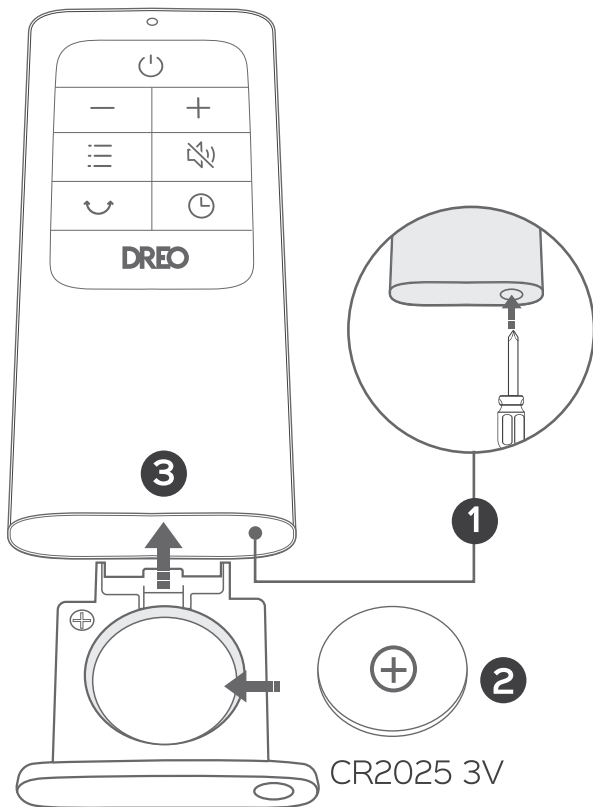
- 1. Remove any tall obstacles that might block the airflow from the fan.
- 2. Combine with your AC unit to get cooler air throughout the room.
- 3. Position the tower fan closer to you to get more direct airflow.
- 4. Place a bucket of ice in front of the fan for an extra cooling boost.



Remote Control



Battery Replacement



- 1 Press the locking button to pop out the battery holder.
- 2 Replace with the same battery type with the (+) side facing up.
- 3 Push in the holder until securely locked into place.

Note: If the indicator on the remote control doesn't turn on any more, please consider replacing the battery.

WARNING

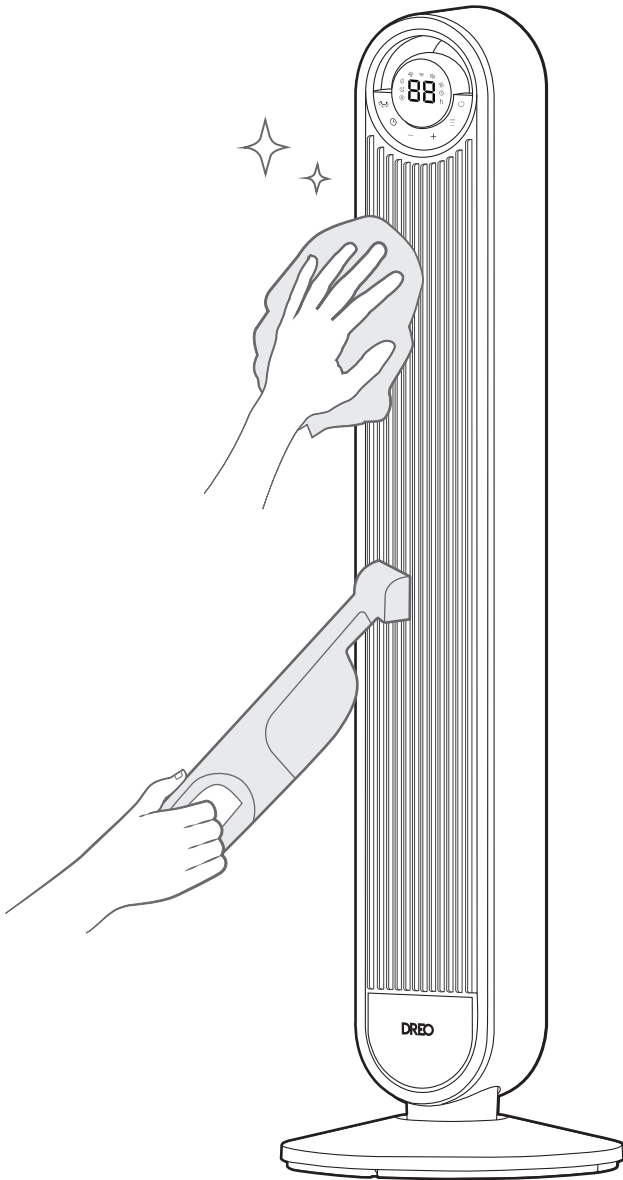
- **INGESTION HAZARD:** This product contains a button cell or coin battery
- **DEATH** or serious injury can occur if ingested.
- A swallowed button cell or coin battery can cause Internal Chemical **Burns** in as little as **2 hours**.
- **KEEP** new and used batteries **OUT OF REACH** of **CHILDREN**
- **Seek immediate medical attention** if a battery is suspected to be swallowed or inserted inside any part of the body.



- a) Remove and immediately recycle or dispose of used batteries according to local regulations and keep away from children. Do NOT dispose of batteries in household trash or incinerate.
- b) Even used batteries may cause severe injury or death.
- c) Call a local poison control center for treatment information.
- d) Compatible battery type: CR2025.
- e) Battery nominal voltage: 3.0 Vdc
- f) Non-rechargeable batteries are not to be recharged.
- g) Do not force discharge, recharge, disassemble, heat above (manufacturer's specified temperature rating) or incinerate. Doing so may result in injury due to venting, leakage or explosion resulting in chemical burns.
- h) Ensure the batteries are installed correctly according to polarity (+ and -).
- i) Do not mix old and new batteries, different brands or types of batteries, such as alkaline, carbon-zinc, or rechargeable batteries.
- j) Remove and immediately recycle or dispose of batteries from equipment not used for an extended period of time according to local regulations.
- k) Always completely secure the battery compartment. If the battery compartment does not close securely, stop using the product, remove the batteries, and keep them away from children.

CLEANING AND MAINTENANCE

06



Outer Surface

Gently wipe off the dust with a soft, dry cloth.

Grilles & Blades

Remove the dust using a vacuum or air duster.

Base

The base can be disassembled in the reverse order of assembly.



CAUTION

1. Always unplug the fan before any cleaning or maintenance.
2. Do not immerse in water or get water inside the motor housing.
3. Do not use any chemical agents when cleaning the fan.
4. Store in a cool, dry place and cover it to protect from dust.

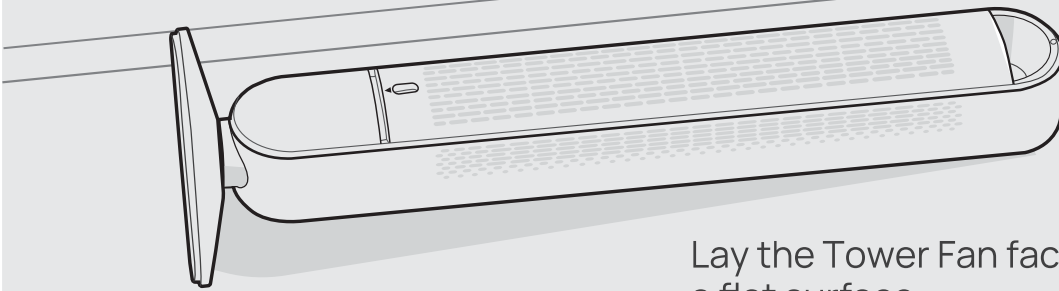
Rear Grille



WARNING

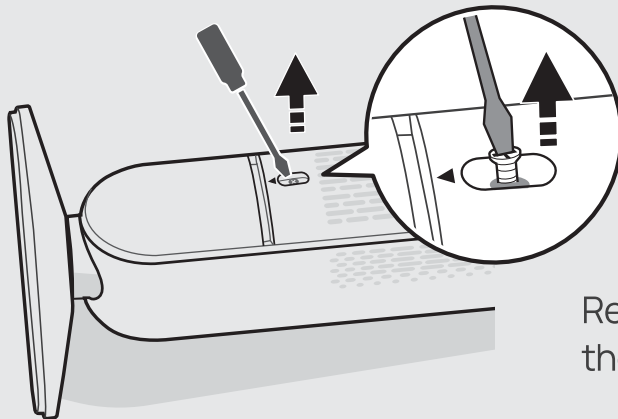
Turn off the appliance and unplug before any cleaning and maintenance.

1



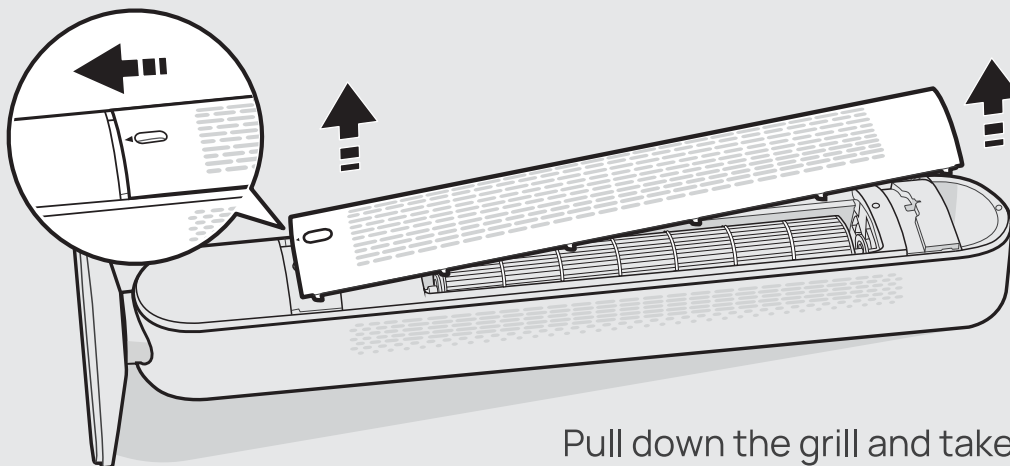
Lay the Tower Fan facing down on a flat surface.

2



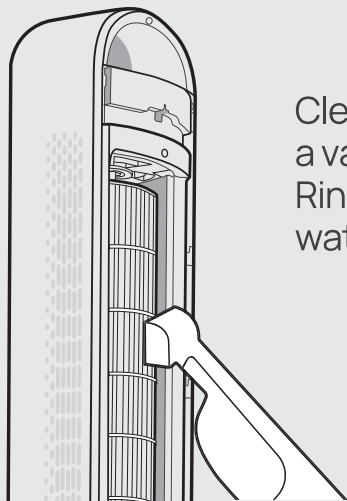
Remove the screw at the bottom of the rear grille with a Philips screwdriver.

3

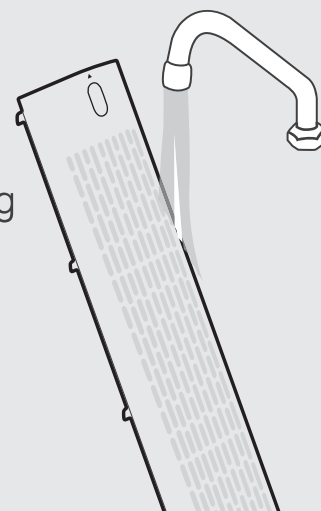


Pull down the grill and take it out.

4



Clean the dust on blades using a vacuum cleaner or air duster. Rinse the rear grille under running water with a clean, damp cloth.

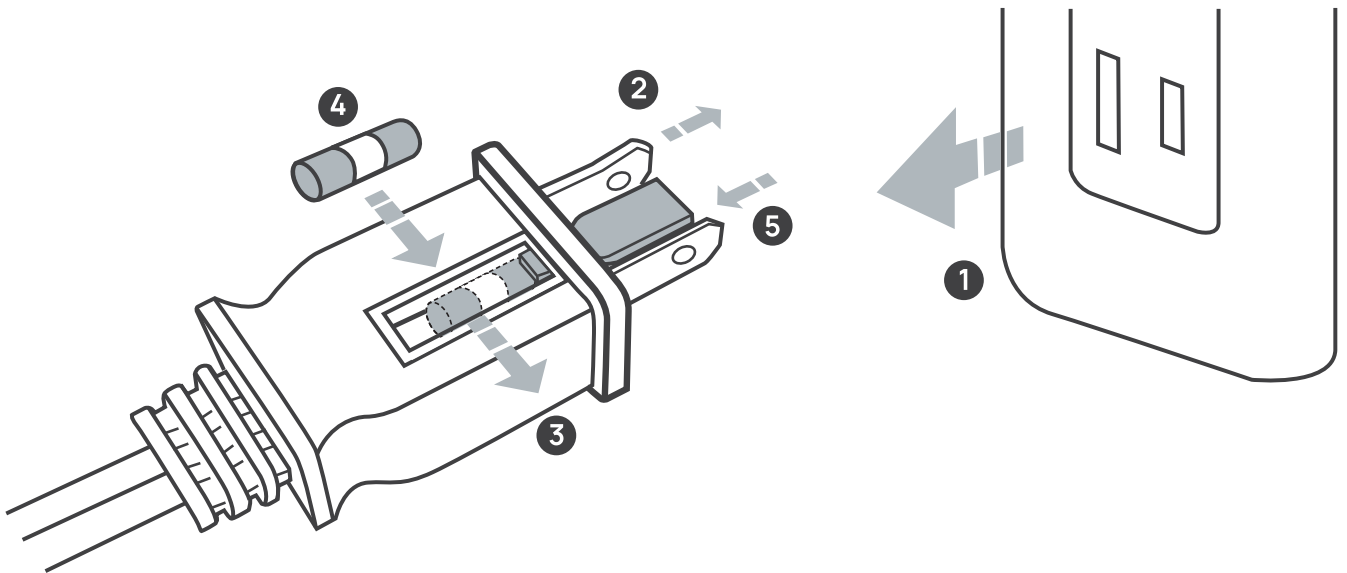


5

Dry up, then install the grille and the screw back by following the reverse order of disassembly.

User Servicing Instructions (Fuse)

This appliance features a fused safety plug that protects against overload or short-circuit situations. If the fuse blows, please cut off power and follow the below instructions or consult a qualified electrician.



- 1 Grasp plug and remove from the receptacle or other outlet device. Do not unplug by pulling on cord.
- 2 Open fuse cover. Slide open fuse access cover on top of attachment plug towards blades.
- 3 Remove fuse carefully. Push the fuse from the other side to remove the fuse.
- 4 Risk of fire. Replace fuse only with 5 Amp.125 Volt fuse.
- 5 Close fuse cover. Slide closed the fuse access cover on top of attachment plug.



WARNING

Risk of fire. Do not replace attachment plug. Contains a safety device (fuse) that should not be removed. Discard product if the attachment plug is damaged.

My fan won't turn on!

Make sure that the cord is connected to a powered outlet and the mains voltage corresponds with the voltage indicated on the fan.

My fan is shaky and wobbling!

1. Place the fan on a flat, level surface.
2. Incorrect installation might also cause shakiness. Please refer to the assembly instructions in **page 3-4**. Note that the power cord must be run through all rear keepers.

My fan is making vibration and noise!

1. Place the fan on a flat, level surface.
2. Be sure not to insert anything into the air inlet and outlet.

If your problem is not listed or still persists, please contact our Customer Support (**see page 20**).

DREO CUSTOMER CARE

08

Default 12-Month Warranty

This appliance is covered by Dreco warranty for 12 months from the date of its original purchase.

Extend Your Warranty

Extend your warranty by registering your new appliance on our website <https://dreco.com/warranty>.

The warranty will not apply in cases of:

- Accident, misuse, or repairs performed by unauthorized personnel.
- Any unit that has been tampered with or used for commercial purposes.
- Normal wear and tear of wearable parts.
- Use of force, damage caused by external influences.
- Damage caused by non-observance of the User Manual, e.g. connection to an unsuitable mains supply or noncompliance with the instructions.
- Partially or completely dismantled appliances.
- Defects caused by or resulting from damages from shipping or from repairs, service, or alteration to the product or any of its parts that have been performed by a repair person not authorized by DREO.

We can only provide after-sales service for products that are sold by DREO or DREO authorized retailers and distributors. If you have purchased your unit from a different place, please contact your seller for return and warranty issues.

FCC STATEMENT

This device complies with Part 15 of the FCC Rules.

This equipment has been tested and found to comply with the limits for a Class B digital device, pursuant to Part 15 of the FCC Rules. These limits are designed to provide reasonable protection against harmful interference in a residential installation. This equipment generates, uses and can radiate radio frequency energy and, if not installed and used in accordance with the instructions, may cause harmful interference to radio communications. However, there is no guarantee that interference will not occur in a particular installation.

Please note that changes or modifications of this product is not expressly approved by the party responsible for compliance could void the user's authority to operate the equipment.

If this equipment does cause harmful interference to radio or television reception, which can be determined by turning the equipment off and on, the user is encouraged to try to correct the interference by one or more of the following measures:

- Reorient or relocate the receiving antenna.
- Increase the separation between the equipment and receiver.
- Connect the equipment into an outlet on a circuit different from that to which the receiver is connected.
- Consult the dealer or an experienced radio/TV technician for help.

This device complies with Part 15 of the FCC Rules. Operation is subject to the following two conditions: (1) this device may not cause harmful interference, and (2) this device must accept any interference received, including interference that may cause undesired operation.

This equipment complies with FCC radiation exposure limits set forth for an uncontrolled environment. This equipment should be installed and operated with a minimum distance of 20cm between the radiator & your body. This transmitter must not be co-located or operating in conjunction with any other antenna or transmitter.

Model No.: DR-HTF009S
Rev_1.0_EN

We're Here to Help!

 (888) 290-1688 (Mon - Fri, 9:00 am-5:00 pm PST/PDT)

 www.dreo.com  support@dreo.com

 Shenzhen Hesung Innovation Technology Co., LTD

 26F, Bldg A7, Creative City, Shenzhen, China



MADE IN CHINA



Intertek
5019464
CONFORMS TO
UL STD.507

www.dreo.com

Looking for help?

Contact us to get expert support.

 support@dreo.com  (888) 290-1688  www.dreo.com

Mon - Fri, 9:00 am-5:00 pm PST/PDT