

Hesung Innovation Limited

June 6, 2024

Federal Communications Commission
Equipment Authorization Division
7435 Oakland Mills Road
Columbia, MD 21046
USA

Attn: OET Dept.

Ref: FCC Class II Permissive change for FCC ID: 2A3SYHHM004

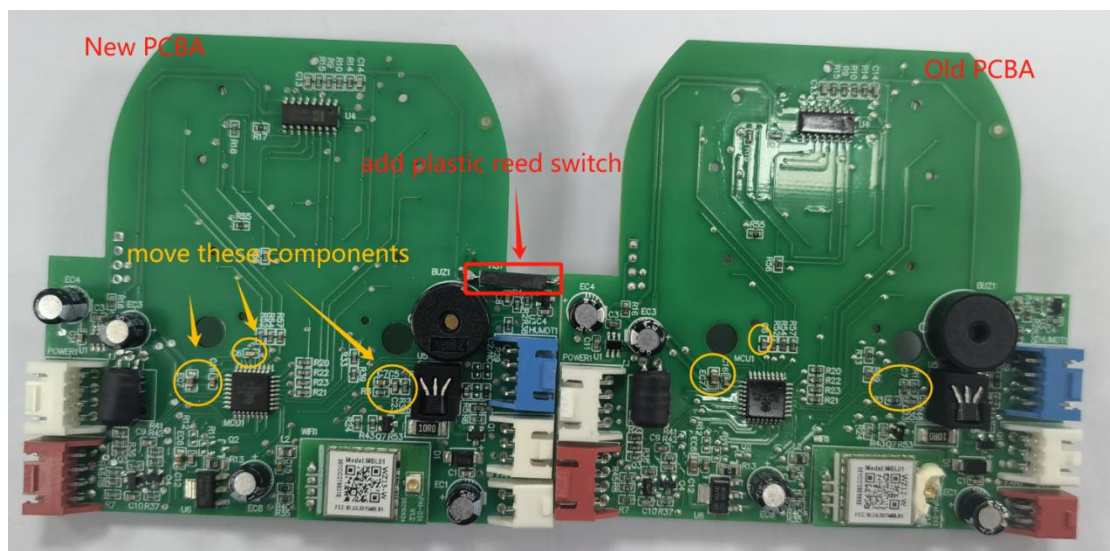
Applicant: Hesung Innovation Limited

Dear Examiner,

This is to request a Class II Permissive change for FCC ID: 2A3SYHHM004 originally granted on 05/06/2024 (date).

The change under this application is are to follows

1. Move the EC7, C16, C6, C5, C7 and R1 shown as picture
2. Add the reed switch.



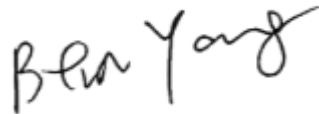
I attest that the certified device will not be capable of ad-hoc mode operation outside of the grant conditions.

Sincerely,

Name: Bera Yang
Title: Project Manager

Date: June 6, 2024

Signature of applicant:

A handwritten signature in black ink that reads "Bera Yang". The signature is written in a cursive style with a large, stylized 'B' and 'Y'.