

SPECIFICATION

SHEET FOR APPROVAL

(Revision: R: A0)

CUSTOMER(客户名称)	Hesung Innovation Limited
CS P/N(客户机种)	DR-HHM004S Humidifier
PART NAME(品名)	WIFI ANTENNA
FREQUENCY(频率)	2400~2500MHz
ZTX NO.(物料编号)	2.00000907
DATE(日期)	2024-02-26

CUSTOMER			
QA CHECKED	ME CHECKED	RF CHECKED	MANAGER CHECKED

Remark(备注):

Sign(客户确认签字盖章):

Shenzhen ZTX Communication Technology Co., Ltd				
MANAGER CHECKED	MANAGER CHECKED	ME CHECKED	RF CHECKED	LISTER
		覃乐	林成	



Shenzhen ZTX Communication Technology Co., Ltd

地址: 深圳市宝安区石岩镇石龙大道 34 号(腾达工业园)

邮编: 518000

电话: 0755-27588320

传真: 0755-27588045

<http://www.chinaztx.com>

ADD:Tengda Industrial Park)No.34 Shilong Avenue, Shiyan Town, Baoan District, Shenzhen

ANTENNA SPECIFICATION

CUSP/N:DR-HHM004 SHumidifier WIFI Antenna ApplicationDate:Feb,26,2024

Rev: R:A0

ZTXP/N:DR-HHM004 SHumidifier WIFI Antenna Editor:

Page 1 of 9

Revision history

版本	日期	状态
A0	2024-02-26	初版

ANTENNA SPECIFICATION

CUSP/N:DR-HHM004 SHumidifier WIFI Antenna ApplicationDate:Feb,26,2024
ZTXP/N:DR-HHM004 SHumidifier WIFI Antenna Editor:

Rev: R:A0
Page 2 of 9

Index

		Revision history	1
		Index	2
1		Mechanical Specification	3
	1-1	Mechanical Specification(WIFI ANTENNA)	3
2		Test equipment	4
3		Test Results Surmmary	5
	3-1	Active Test	5
	3-2	VSWR	5
	3-3	No-source test data	6
	3-4	2D/3D Radiation Pattern Results	7~8
	3-5	matching circuit	9

ANTENNA SPECIFICATION

CUSP/N:DR-HHM004 SHumidifier WIFI Antenna ApplicationDate:Feb,26,2024

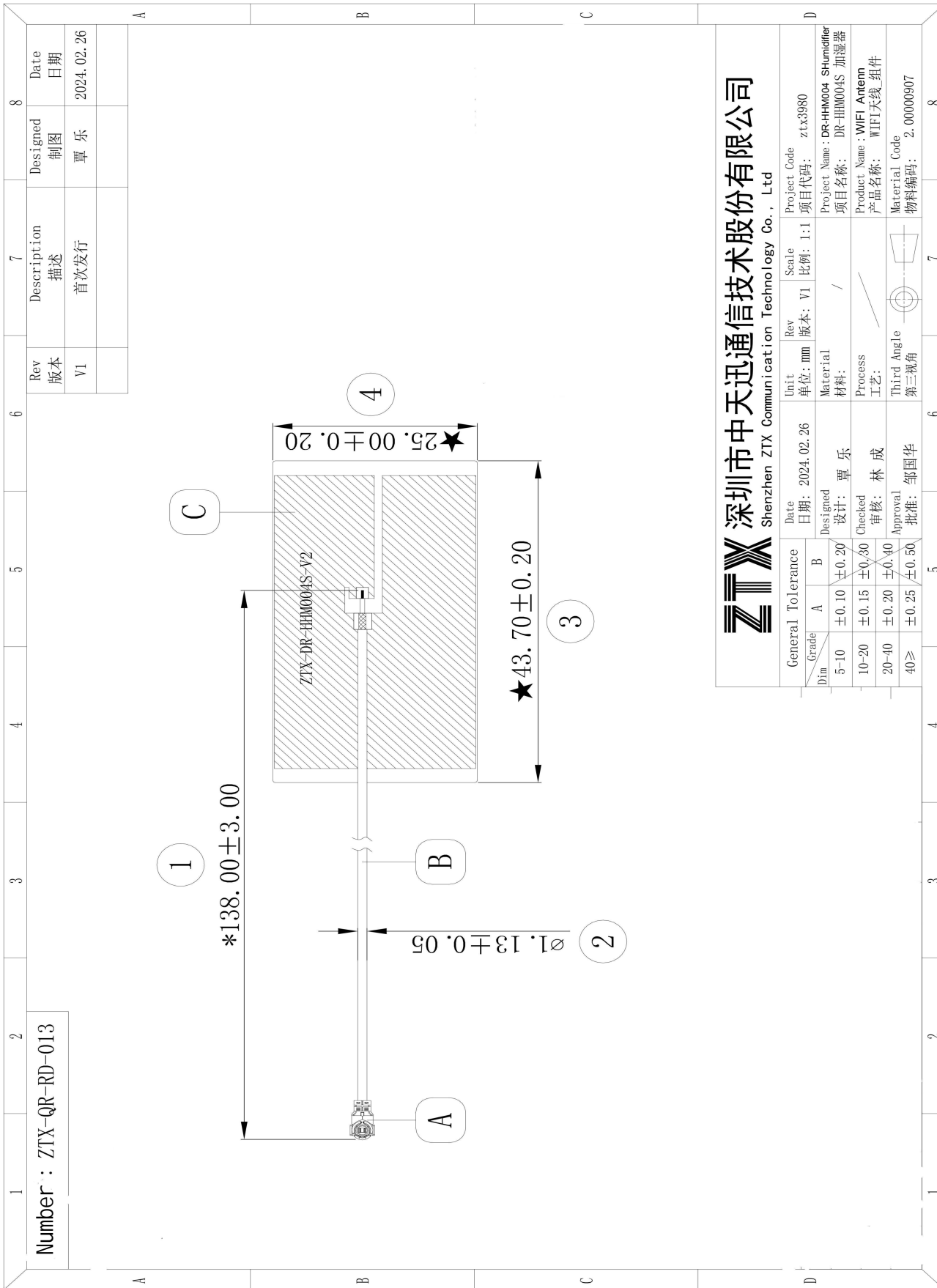
Rev: R:A0

ZTXP/N:DR-HHM004 SHumidifier WIFI Antenna Editor:

Page 3 of 9

1. Mechanical Specification

1-1 Mechanical Configuration (WIFI ANTENNA)



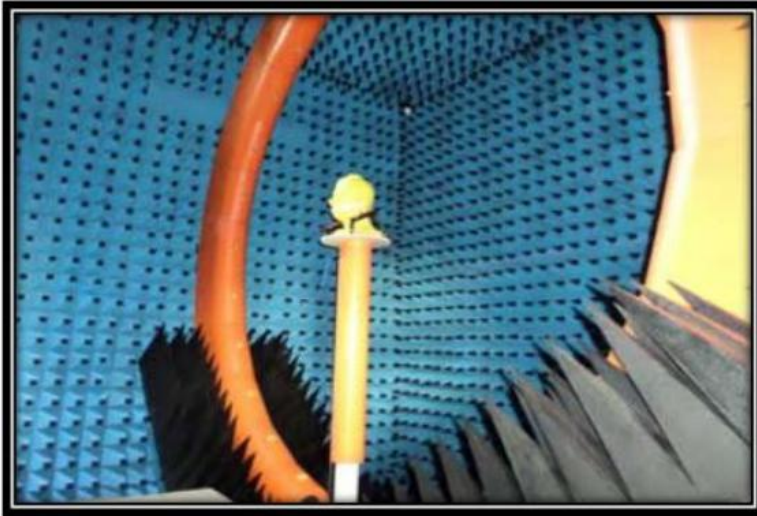
ZTX 深圳市中天迅通信科技股份有限公司
Shenzhen ZTX Communication Technology Co., Ltd

ANTENNA SPECIFICATION

CUSP/N:DR-HHM004 SHumidifier WIFI Antenna ApplicationDate:Feb,26,2024
ZTXP/N:DR-HHM004 SHumidifier WIFI Antenna Editor:

Rev: R:A0
Page 4 of 9

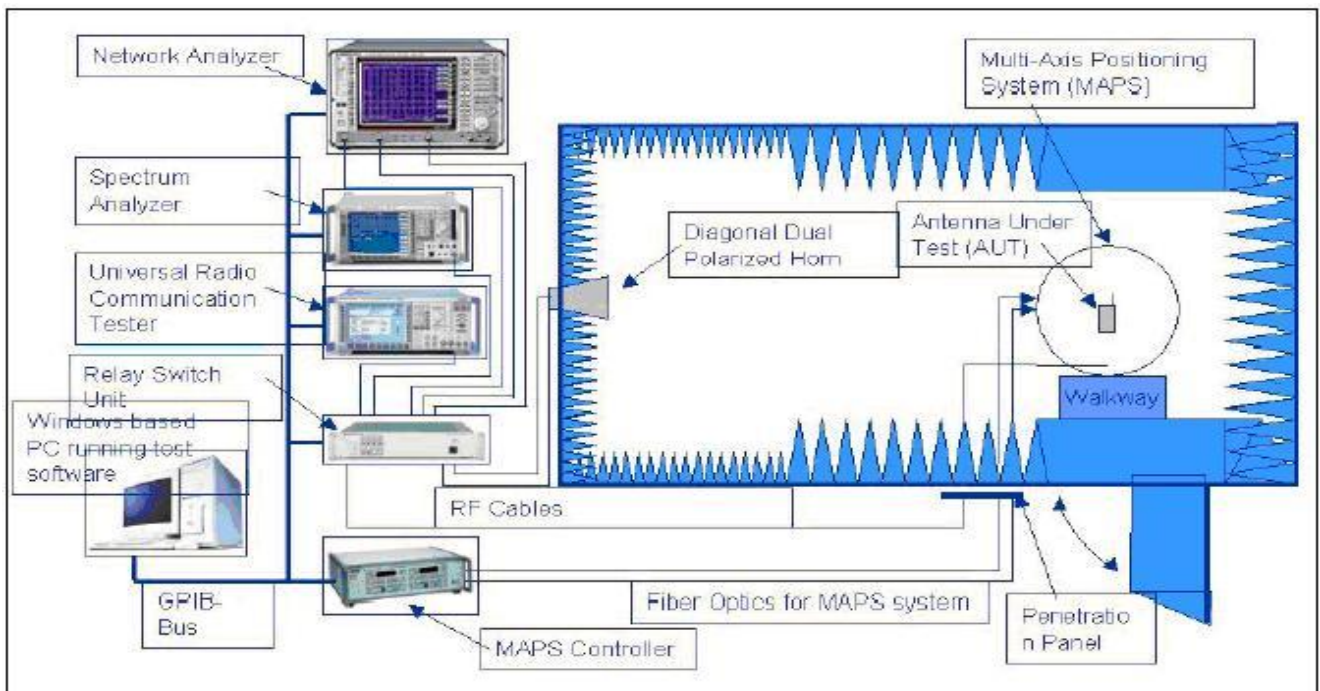
2. Test equipment



Owned 6 microwave dark room, equipped 2 sets world leading France Satimo SG24 OTA certification test systems (one in SHENZHEN, another one in Shanghai), ETS OTA Standard test system, Blue test reverberation test system which is High repeatability, high accuracy and high resolution. It can quickly provide accurate test reports, fully meet the CTIA standards.

Testing range:

Support active, passive testing of GSM/CDMA/WCDMA/TD-SCDMA/LTE/WIFI/WLAN/WiMax/BT/GPS/MIMO/UWB within 0.4-6G.



ANTENNA SPECIFICATION

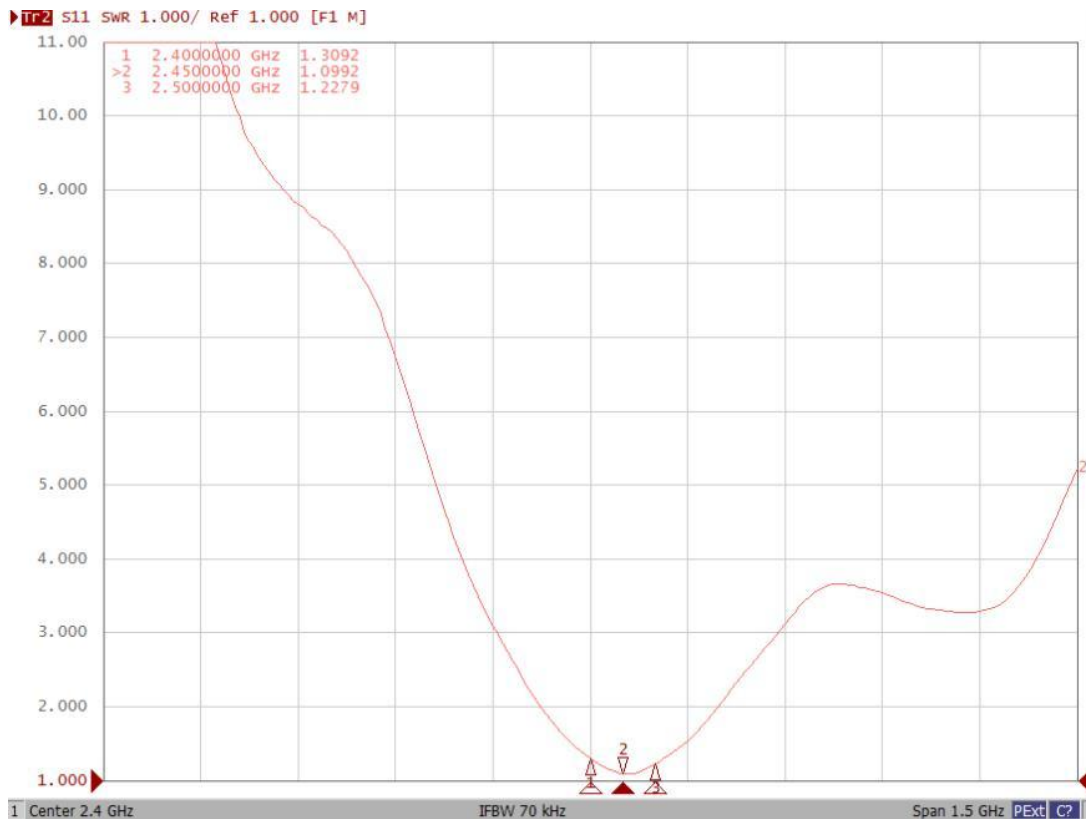
CUSP/N:DR-HHM004 SHumidifier WIFI Antenna ApplicationDate:Feb,26,2024
ZTXP/N:DR-HHM004 SHumidifier WIFI Antenna Editor:

Rev: R:A0
Page 5 of 9

3.Test Results Summary 3-1 Active Test

	1M	11M
WIFIB	13.78	-84.13
	14.22	-84.56
	14.66	-84.32
	6M	54M
WIFIG	12.68	-71.19
	13.15	-70.94
	13.74	-70.52
	MCS0	MCS7
WIFIN	12.74	-65.65
	13.34	-65.12
	13.88	-64.65

3-2 VSWR



ANTENNA SPECIFICATION

CUSP/N:DR-HHM004SHumidifier WIFI Antenna ApplicationDate:Feb,26,2024
ZTXP/N:DR-HHM004SHumidifier WIFI Antenna Editor:

Rev: R:A0
Page 6 of 9

3-3 No-source test data

Frequency	Efficiency	Efficiency . dB	Gain . dB
2400	61%	-2.2	2.9
2410	58%	-2.4	2.7
2420	60%	-2.2	2.7
2430	62%	-2.1	2.8
2440	60%	-2.2	2.6
2450	61%	-2.2	2.8
2460	59%	-2.3	2.6
2470	62%	-2.1	3.1
2480	63%	-2.0	3.0
2490	60%	-2.2	2.8
2500	64%	-1.9	3.3

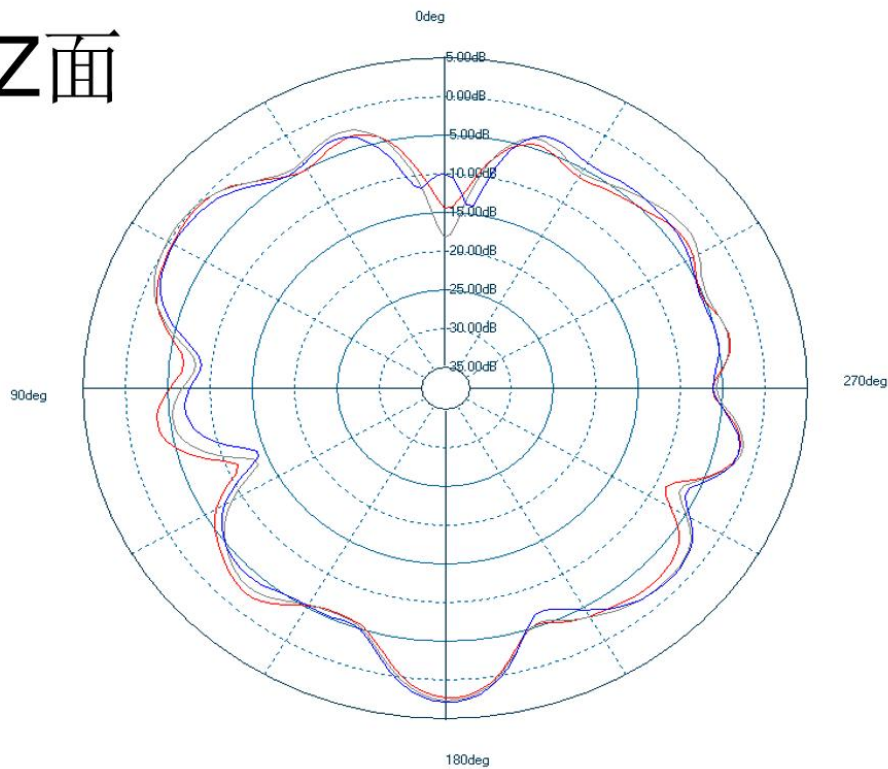
ANTENNA SPECIFICATION

CUSP/N:DR-HHM004SHumidifier WIFI Antenna ApplicationDate:Feb,26,2024
ZTXP/N:DR-HHM004SHumidifier WIFI Antenna Editor:

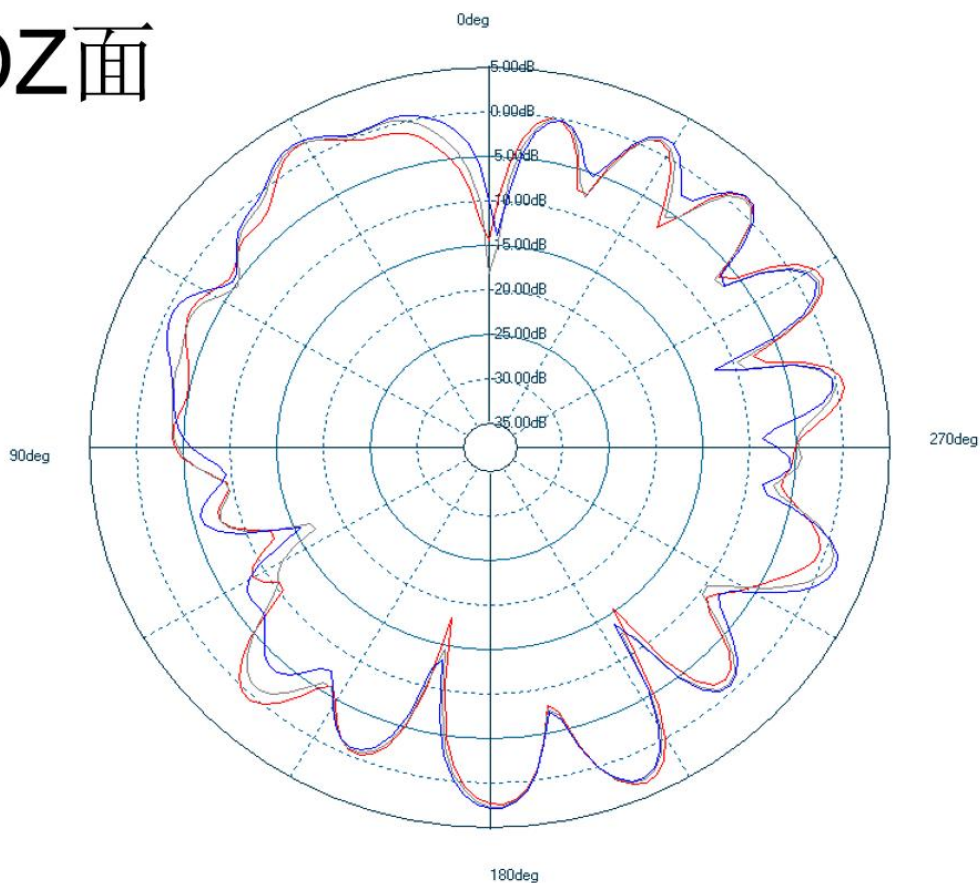
Rev: R:A0
Page 7 of 9

3-4 2D/3D Radiation Pattern Results

XOZ面



YOZ面

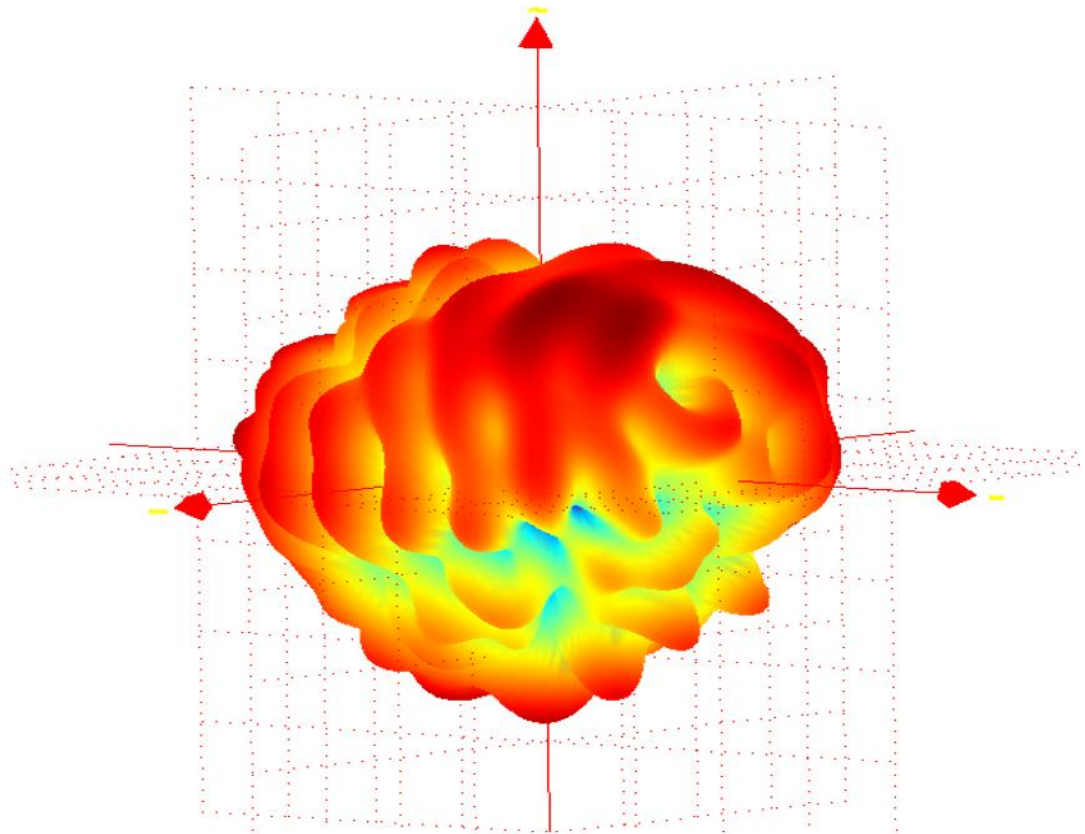
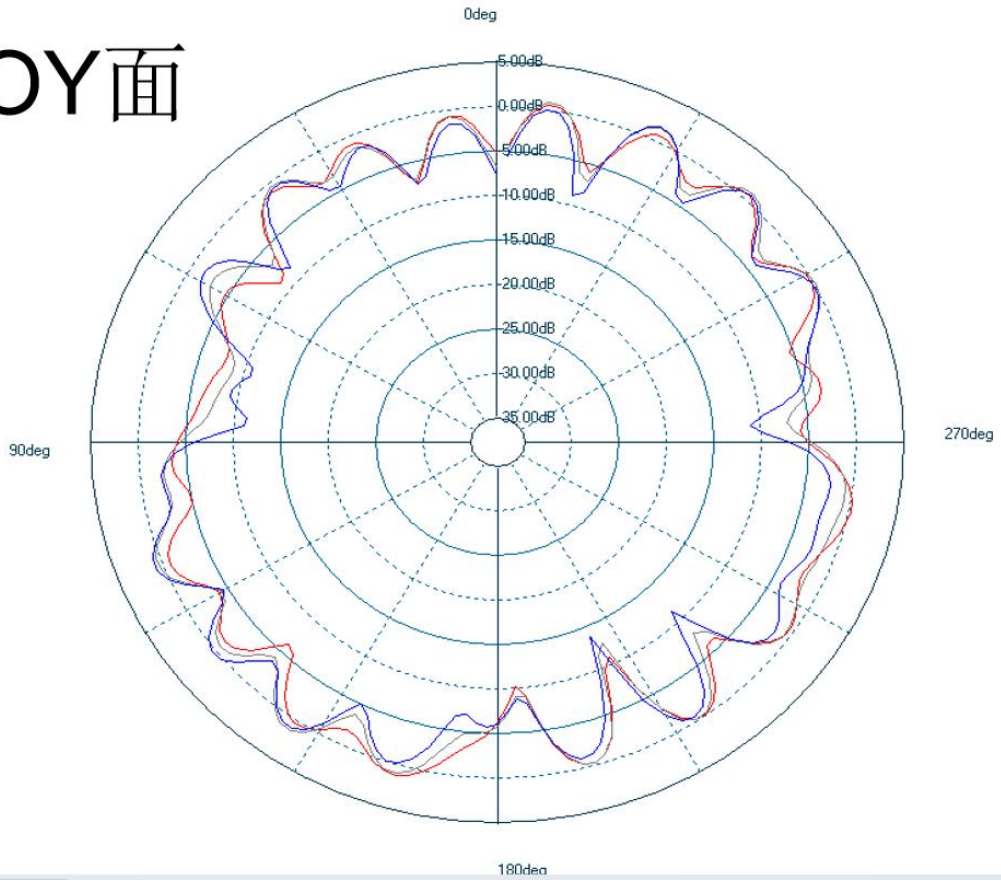


ANTENNA SPECIFICATION

CUS P/N :DR-HHM004S Humidifier WIFI Antenna Application Date:Feb,26,2024
ZTX P/N :DR-HHM004S Humidifier WIFI Antenna Editor:

Rev: R:A0
Page 8 of 9

XOY面

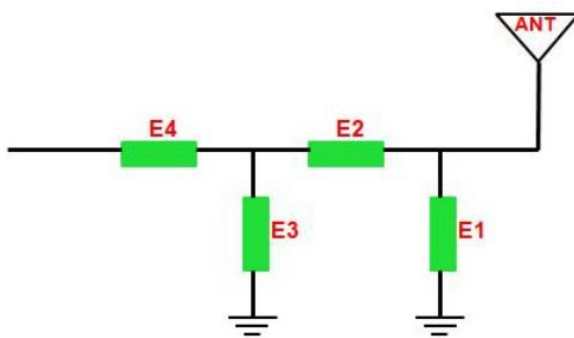


ANTENNA SPECIFICATION

CUS P/N :DR-HHM004S Humidifier WIFI Antenna Application Date:Feb,26,2024
ZTX P/N :DR-HHM004S Humidifier WIFI Antenna Editor:

Rev: R:A0
Page 9 of 9

3-5 matching circuit



主天线	
Element	Value
E1	N/A
E2	0 Ω
E3	N/A
E4	0 Ω