

设计版本号	产品名称 Product name	比例 scale	日期 Date	设计师 Designer	审核 Audit
Rev_1.1_EN	DR-HCF002S_美规_说明书	1:1	20240509	beryl	Luaru
Hesung innovation 和生创新	材质印刷与 技术要求 封面封底:80g书纸 内页: 80g书纸 印刷要求: 双面印刷, 文字线图清晰 装订方式: 骑马钉装订	字体 Fonts	Manrope	尺寸 Size	210*297MM

图纸设计禁止修改, 尺寸刀模图为准

*此页删除不做印刷
封底



420MM

图层使用规范:
1、备注信息图层为非印刷区域, 展示印刷物料基础信息。 2、刀板线、备注工艺、尺寸层展示印刷工艺部分。 3、画面信息层展示印刷展示图片与文字。 *电子文档为Adobe Illustrator制作

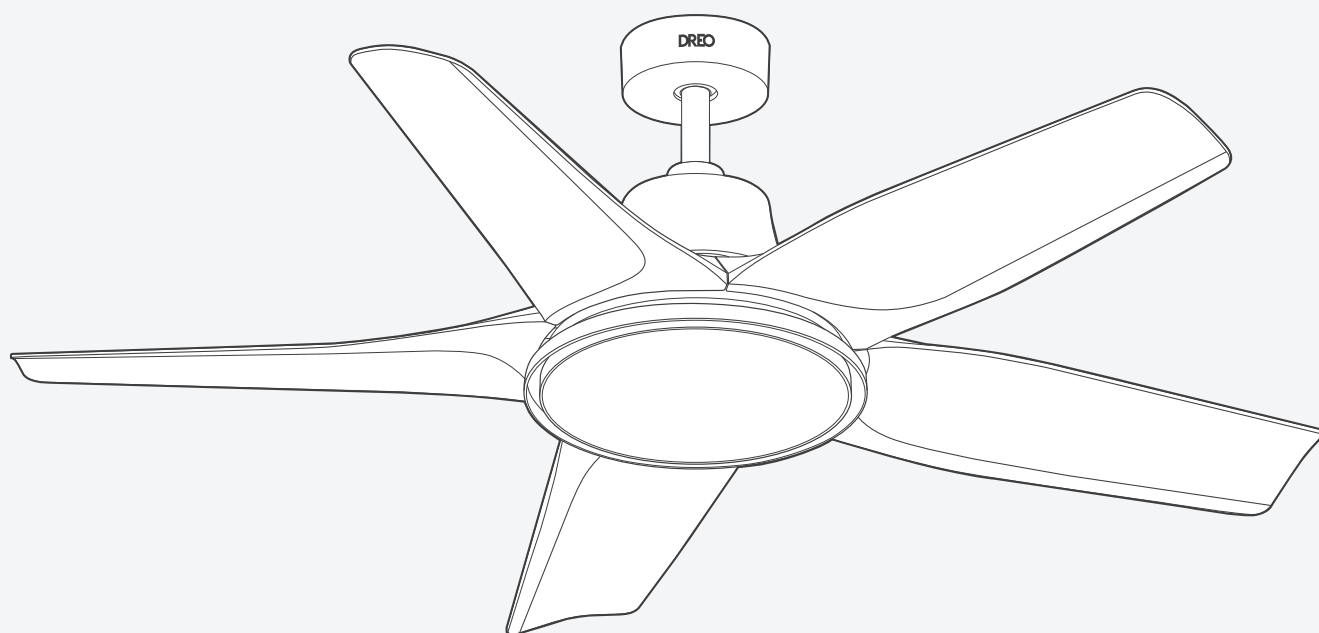
文件格式: model规格类目日期.AI (为可编辑原始文档)
 文件格式: model规格类目日期.pdf (为文件转曲不可编辑文档)

审稿	检查事项
会签以“/”形式确认	(负责部门/设计师)
审稿检查事项	
商标规范	
字符高度	
工艺材质	
颜色标识	
产品文案	
条码检查	
厂址	
全成分	
警告标语	
执行标准	
产品尺寸	
外/内箱尺寸	
OEM信息*	
产品包装信息	
请相关部门确认产	
品、包装等信息!	
*OEM信息:	
委托方及被委托方	
信息(名称、地址、	
邮编、电话、生产	
许可证、卫生许可	
证)	

设计师	审核	产品负责人	法规	采购
-----	----	-------	----	----

DREO

Smart Ceiling Fan
CLF712S



USER MANUAL

Thanks for Choosing

DREO!

Your support means the world to us.

We hope you enjoy our product as much as we did creating it.

CONTENTS

01	IMPORTANT SAFETY INSTRUCTIONS	1
02	PACKAGE CONTENTS	2
03	BEFORE INSTALLATION	3
04	ASSEMBLING THE CEILING BRACKET	4
05	ASSEMBLING THE DOWNROD	5-6
06	HANGING YOUR FAN	7
07	ASSEMBLING THE BLADES	8-9
08	ASSEMBLING THE LIGHT KIT	10
09	USING YOUR CEILING FAN	11-14
10	CONNECTING YOUR CEILING FAN	15
11	CLEANING AND MAINTENANCE	16
12	TROUBLESHOOTING	17
13	DREO CUSTOMER CARE	18-19

IMPORTANT SAFETY INSTRUCTIONS

01

READ AND SAVE THESE INSTRUCTIONS

- 1.WARNING:** To Reduce The Risk Of Fire, Electric Shock, Or Personal Injury, Mount Directly To A Structural Framing Member Or To An Outlet Box Marked Acceptable for Fan Support of 15.9 kg (35 lbs). For Outlet Box Mounting, Use Mounting Screws Provided With The Outlet Box.
- To avoid possible electrical shock, before installing or servicing your fan, disconnect the power by turning off the circuit breakers to the outlet box and associated wall switch location. If you cannot lock the circuit breakers in the off position, securely fasten a prominent warning device, such as a tag, to the service panel.
- To reduce the risk of electric shock, this fan must be installed with an isolating wall control/switch.
- 4.WARNING:**To reduce the risk of personal injury, do not bend the blade brackets when installing the blade brackets, balancing the blades, or cleaning the fan. Do not insert foreign objects in between rotating fan blades.
- Chemical burn hazard. Keep batteries away from children. This remote contains a lithium button cell battery. If a new or used lithium button/coin cell battery is swallowed or enters the body, it can cause severe internal burns and can lead to death in as little as 2 hours. Always completely secure the battery compartment. If the battery compartment does not close securely, stop using the product, remove the batteries, and keep it away from children. If you think batteries might have been swallowed or placed inside any part of the body, seek immediate medical attention. Dispose of cells properly and keep away from children. Even used cells may cause injury.
- Non-rechargeable batteries are not to be recharged. Exhausted batteries are to be removed from the product.
- This appliance can be used by children aged from 8 years and above and persons with reduced physical, sensory or mental capabilities or lack of experience and knowledge if they have been given supervision or instruction concerning use of the appliance in a safe way and understand the hazards involved. Children shall not play with the appliance. Cleaning and user maintenance shall not be made by children without supervision. It is recommended that children be supervised to ensure that they are not using the appliance improperly.
- 8.WARNING:**To reduce the risk of fire or electric shock or injury to persons, do not use replacement parts that have not been recommended by the manufacturer (e.g. parts made at home using a 3D printer).
- Read all instructions and safety information before installing your new fan. Review the accompanying assembly diagrams.
- Before installing the fan, disconnect the power by removing fuses or turning off circuit breakers.
- Make sure all electrical connections comply with local law and the national electrical code. Please hire a qualified electrician or consult a do-it -yourself wiring handbook if you are unfamiliar with installing electrical wiring.
- Make sure the installation site is roomy enough to allow fan blades to rotate. There is at least seven feet from the floor to fan blades' tips.
- If you are mounting the fan on a ceiling outlet box, please use a metal outlet box. Secure the box directly to the building structure. The outlet box and its support must be able to support the rotating fan (at least 35 lbs).Do not use a plastic outlet box. Attach the mounting bracket using the ceiling outlet box's hardware.
- After installing the fan, make sure all the connections are secured so that the fan won't fall.
- Do not insert anything between fan blades while the fan is operating.
- Turn the fan off and wait for it to stop before reversing fan's rotating direction.
- 17.WARNING:**To reduce the risk of electrical shock and personal injury, do not install the fan on a sloped ceiling and do not use this fan with any solid-state fan speed control device, or rheostat. You must install the outlet box using the two steel screws and lock washers coming with the fan.
- All wiring must be in accordance with national and local electrical codes ANSI/NFPA 70. If you are unfamiliar with wiring, use a qualified electrician.
- After making the wire connections, the wires should be spread apart with the grounded conductor and the equipment-grounding conductor on one side of the outlet box and the ungrounded conductor on the other side of the outlet box.
- The splices after being made should be turned upward and pushed carefully up into the outlet box.
- Instructions for supply connections: the white conductor of a fan identified as grounded conductor to be connected to a grounded conductor of power supply, the black conductor of fan identified as ungrounded conductor to be connected to an ungrounded conductor of power supply, the green conductor of fan identified for equipment grounding to be connected to an equipment-grounding conductor.
- The total weight of the fan install to outlet box is 8.2 kg, check that the outlet box is securely installed in place such that it is able to support at least the fan weight.
- When mounted directly to the building structure, appliance installation shall not expose combustible material and do not install the appliance to a ceiling with combustible finish. The installation of the appliance cannot leave the wood of the rafters or any thermal insulation exposed to the interior of the room.
- To Reduce The Risk Of Electric Shock, Disconnect The Electrical Supply Circuit To The Fan Before Installing Light Kit.

FOR HOUSEHOLD USE ONLY

Gentle Reminder:



Check the appliance regularly and refer to TROUBLESHOOTING or contact our customer support if it shows any of the following signs:

- Components or parts are damaged.
- Loud noise or unusual smell.

Specifications

Model No.	DR-HCF002S
Power Supply	120V 60HZ
Rated Power	54W
Remote Control Battery	CR2025 3V

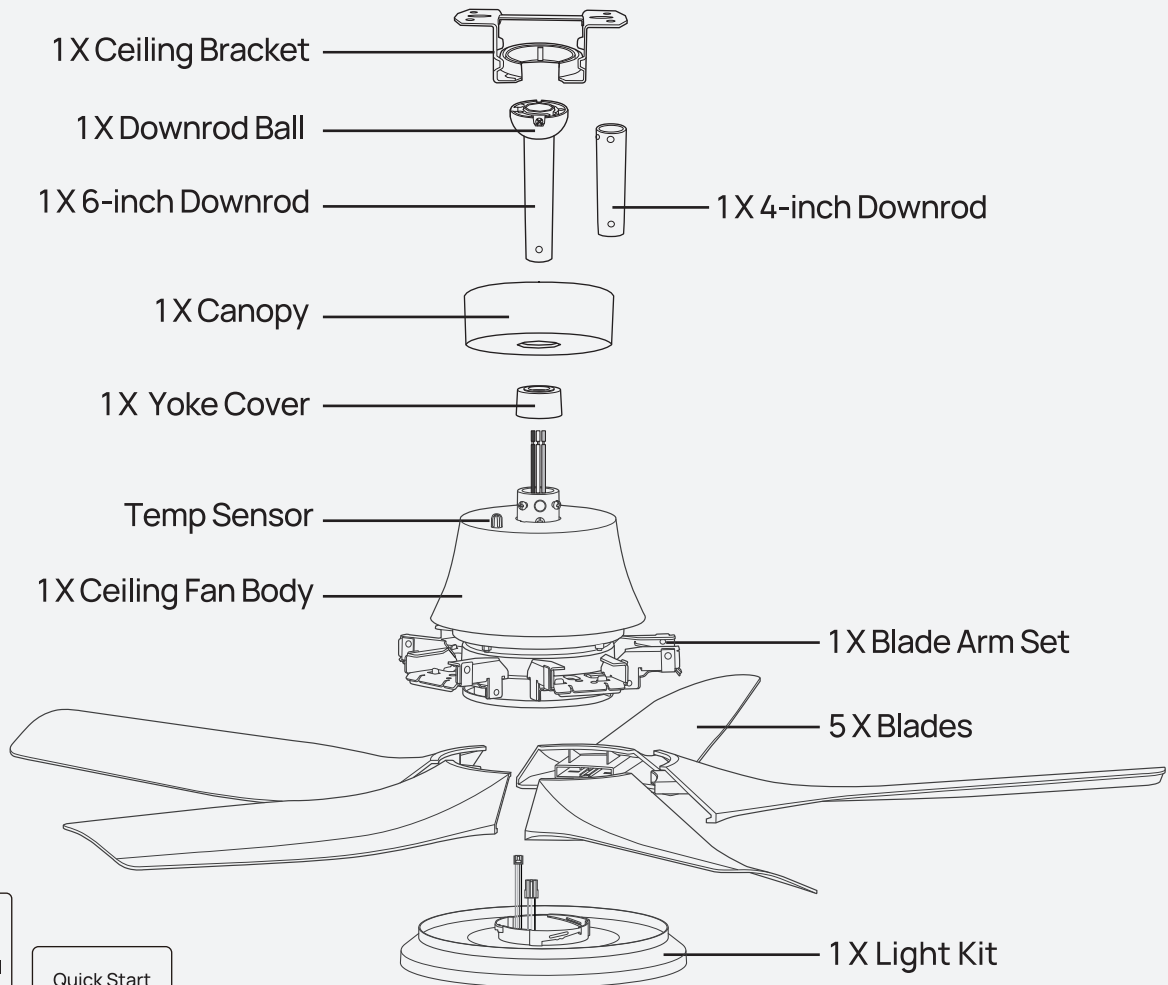
PACKAGE CONTENTS

02




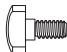
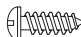


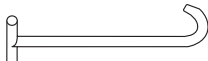







To ensure a successful installation, first SCAN the QR code to watch the installation video

If you need help, we also provide support at 1.888.290.1688 or visit us at www.dreo.com.



User Manual

Quick Start Guide

1 Parts for Ceiling Bracket	2 Parts for Blades	3 Parts for Downrod	4 Parts for Remote Control Holder
 Wood Screw X 2	 Thumbscrew X 5	 Wall-mounted Screw X 2	 3M Glue X 1
 Washer X 2	 L-shaped Hook X 1	 Yoke Cover X 1	 Remote Control (Battery Included)
 Wire Connector Cap X 3+1(extra)	 Balancing Weight X 2	 Remote Control Holder	 Remote Control Instruction Card
	 Balancing Clip X 1		

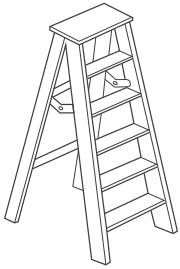
BEFORE INSTALLATION

03

TOOLS NEEDED (NOT INCLUDED)

Essential Tools for a Successful Installation:

Optional Tools:



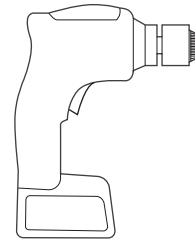
Ladder



Phillips Screwdriver



Wire Stripper

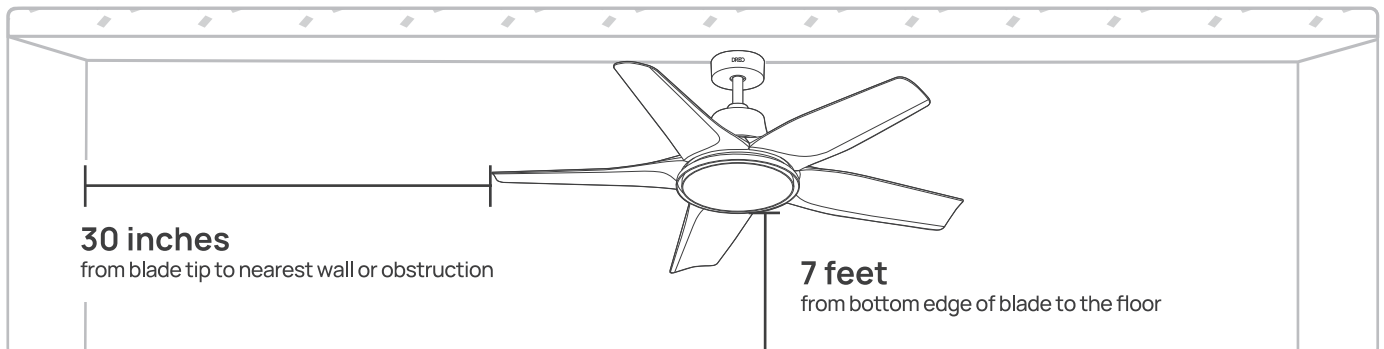


Drill

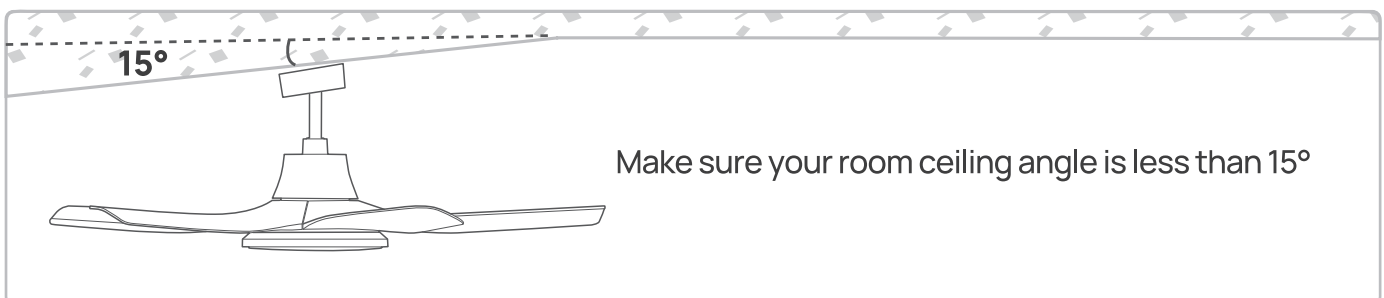


9/64" Drill Bit

Check the room dimensions:



Check the room ceiling angle:



It is recommended to have a partner when installing the ceiling fan.

Note: If you are unfamiliar or uncomfortable with wiring, contact a qualified electrician.

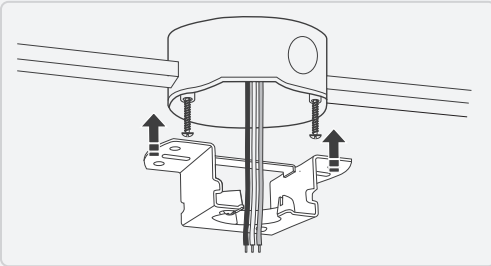
ASSEMBLING THE CEILING BRACKET

04

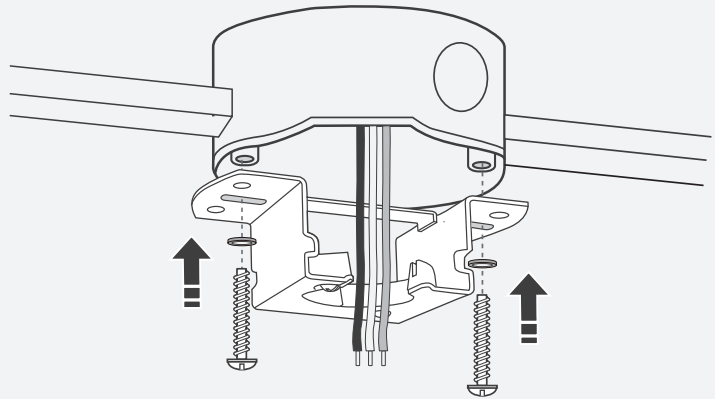


WARNING:

To avoid possible electrical shock, before installing your ceiling fan, disconnect the power by turning off the circuit breakers to the outlet box associated with the wall switch location.



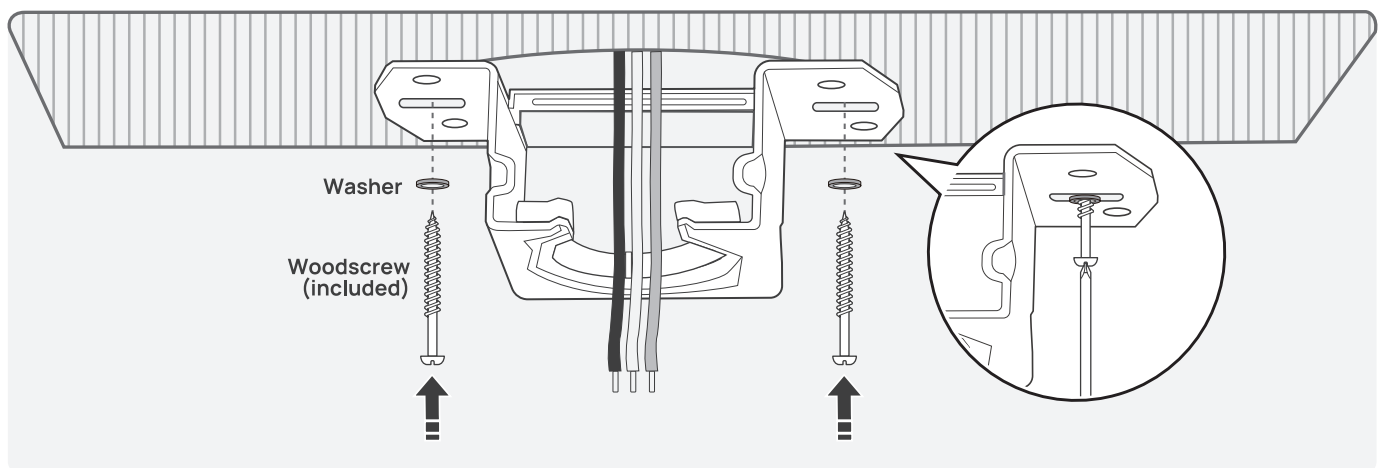
Note:
Machine screws are **not included** in the shipped package; they are typically provided with your outlet box.



Option 1:

Use machine screws (provided with outlet box) when:
Securing to existing ceiling fan-rated outlet box.

Make sure it is securely installed and is acceptable for fan support of 15.9 kg (35 lbs) or less.



Option 2 :

Use wood screws and washers when:

Securing to support structure with approved electrical outlet box.

Drill 9/64" pilot holes in Support Structure to aid in securing ceiling bracket.

Ceiling Bracket

Downrod

Hanging the Ceiling Fan

Blades

Light Kit

ASSEMBLING THE DOWNROD

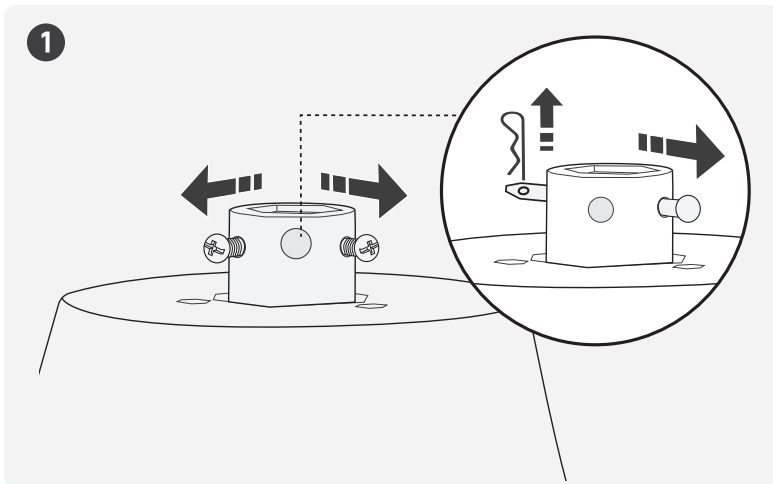
05



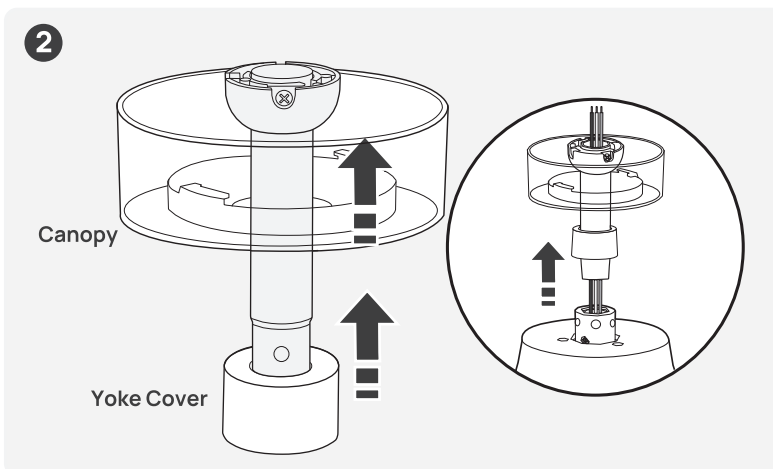
WARNING: FAN FALL HAZARD

To prevent SERIOUS INJURY or DEATH:

- ALWAYS tighten setscrew with screwdrivers.
- DO NOT hand tighten setscrew.
- CHECK the setscrew is tight using screwdrivers each time you change fan direction.

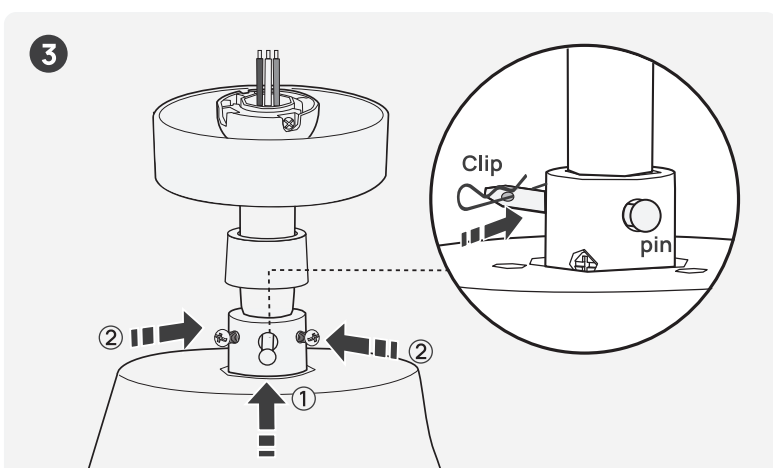


Remove the 2 pre-installed set screws and downrod pin.



Insert the **canopy** and then the **yoke cover** to the downrod.

Pass all the wires to one side of the horizontal bar in the downrod to prevent excessive wire tangling.



Carefully slide the downrod into the yoke of the motor assembly. Align the holes in the downrod. Carefully re-install the downrod pin and clip.

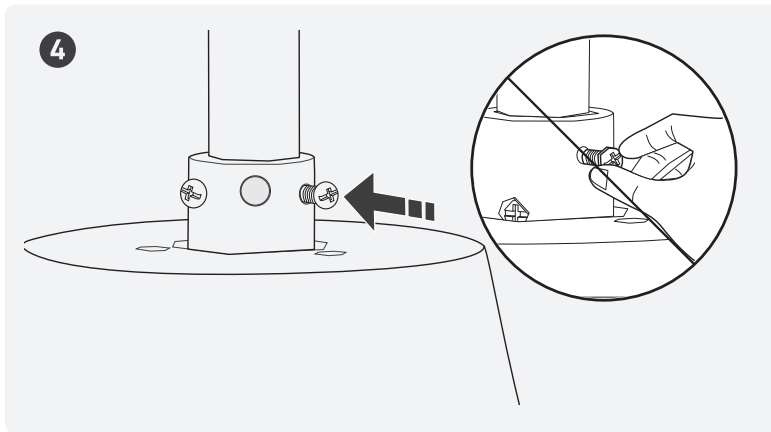
Ceiling Bracket

Downrod

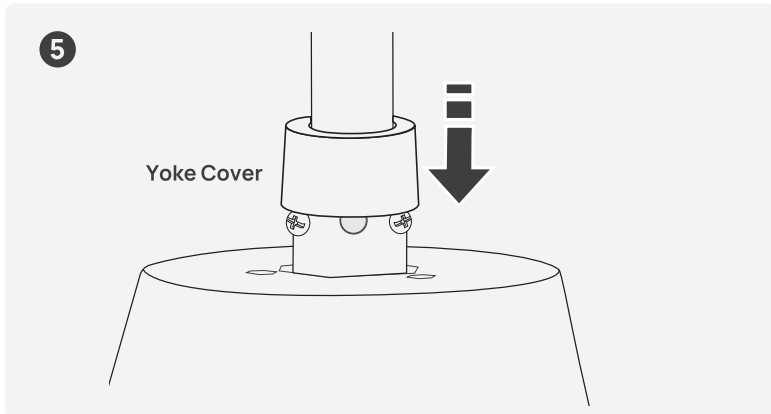
Hanging the Ceiling Fan

Blades

Light Kit



Tighten the setscrews with a screwdriver.

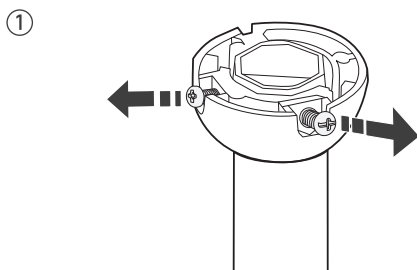


Put down the yoke cover.

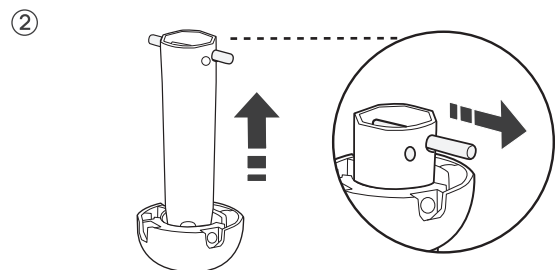
Note: Please lift the canopy and yoke cover to avoid interference with your installation when you are tightening setscrew.

Optional

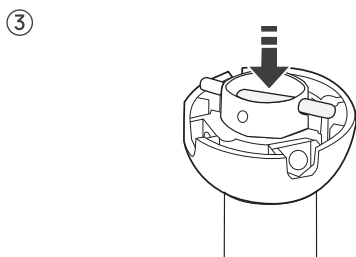
The downrod ball has been pre-installed on the 6-inch downrod. If you wish to move it to the 4-inch downrod, please follow these steps.



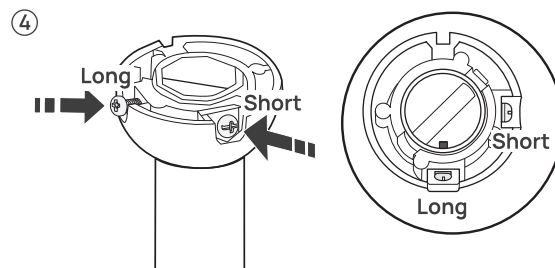
Loosen and remove the two screws on the downrod ball from the 6-inch downrod.



Lift the downrod upwards, then remove the horizontal bar, and detach the downrod ball from the 6-inch downrod.



Install the downrod ball onto the 4-inch downrod and securely insert the horizontal bar in its designated position.



Insert the first perforated long screw tightly, and then insert the second short screw tightly.

Ceiling Bracket

Downrod

Hanging the Ceiling Fan

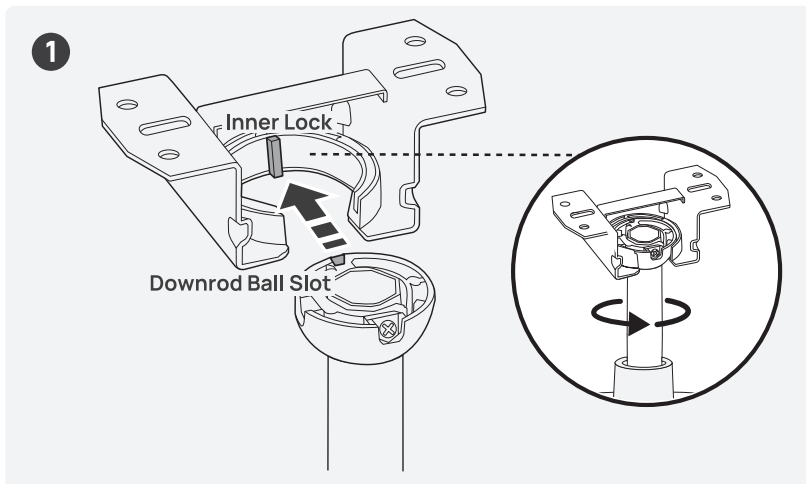
Blades

Light Kit

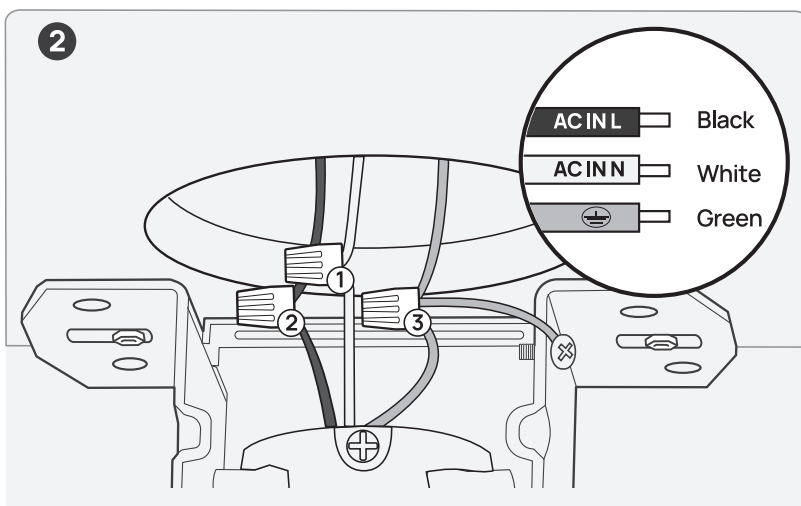
HANGING YOUR CEILING FAN

06

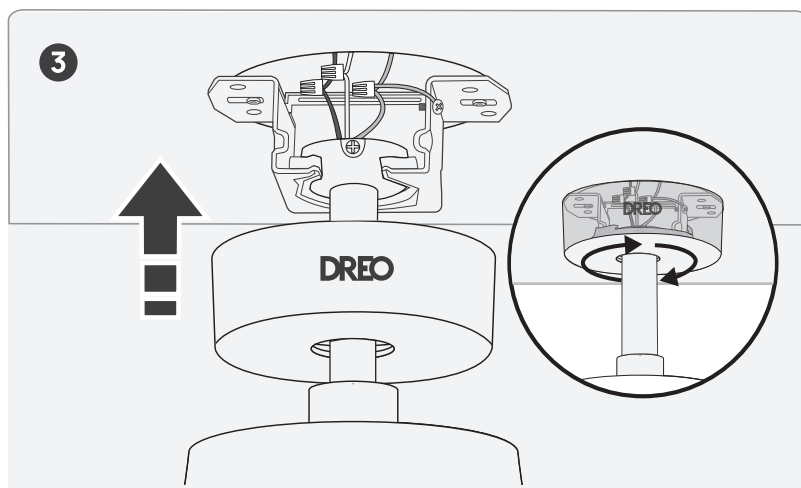
Note: If you are unfamiliar or uncomfortable with wiring, contact a qualified electrician.



Place the downrod ball into the ceiling bracket. Make sure the **downrod ball slot** matches the **inner lock**. **Rotate the downrod until it's secured.**



1. Connect the white (grounded) wire from the ceiling to the white wire from the fan.
2. Connect the black (ungrounded) wire from the ceiling to the black wire from the fan.
3. Connect the three grounding wires (green, green/yellow stripe, or bare copper) coming from the ceiling, downrod, and hanging bracket.



Rotate the canopy **clockwise** (from your bottom view) to securely fasten it to the ceiling bracket.

Ceiling Bracket

Downrod

Hanging the Ceiling Fan

Blades

Light Kit

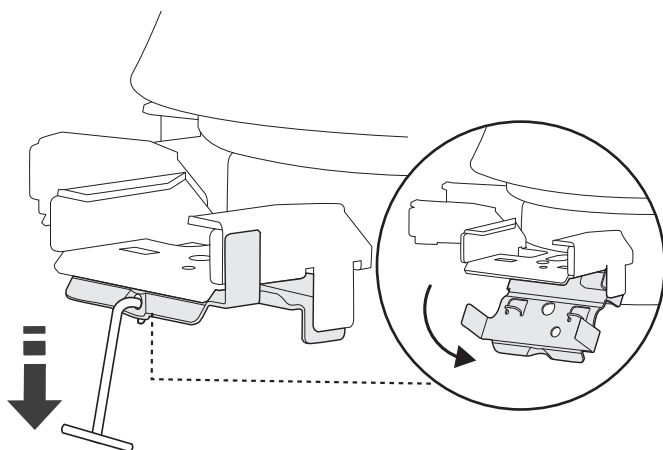
ASSEMBLING THE BLADES

07



Caution: ALWAYS be careful not to pinch your fingers when pulling down the toggle clamp.

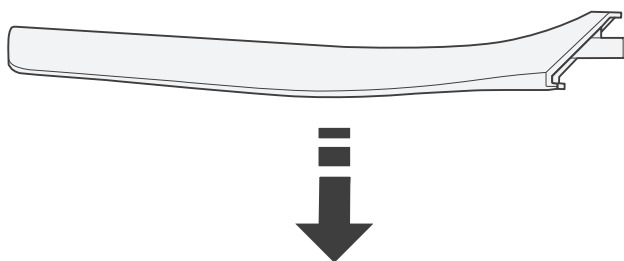
1



Hook the L-shaped hook onto the outermost hole of the metal toggle clamp and carefully pull down to **fully open it**.

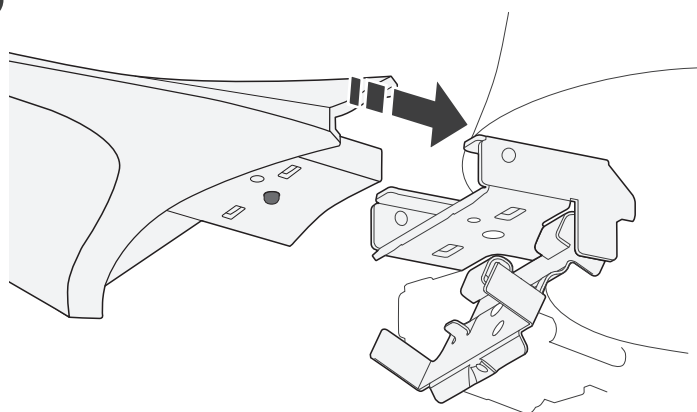
Caution: ALWAYS be careful not to pinch your fingers when pulling down the clamp.

2



Position the fan blades with the curvature slope facing downwards during installation.

3



Align the fan blade with the slot on the ceiling fan's blade arm, then insert it.

Ceiling Bracket

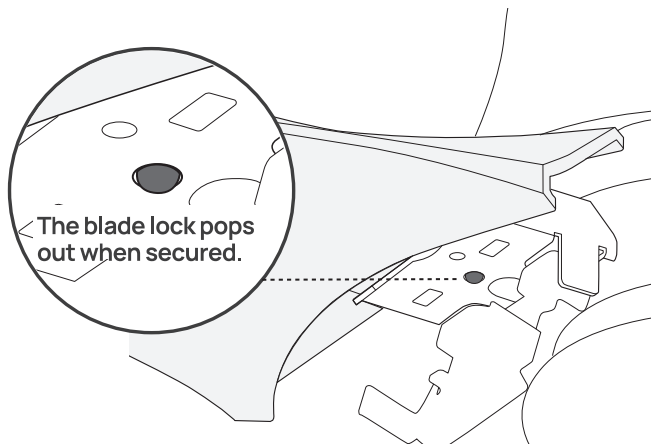
Downrod

Hanging the Ceiling Fan

Blades

Light Kit

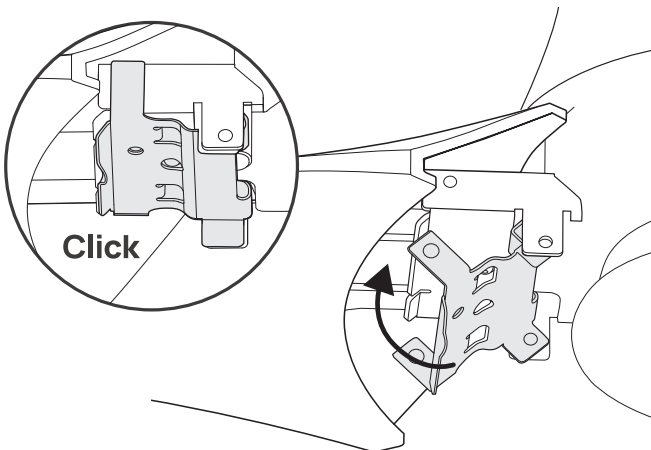
4



Make sure the **blade lock** on the fan blade **pops out** when secured in place.

Note: To remove the fan blade, push the blade lock upwards using the thumbscrew (or a tool if necessary).

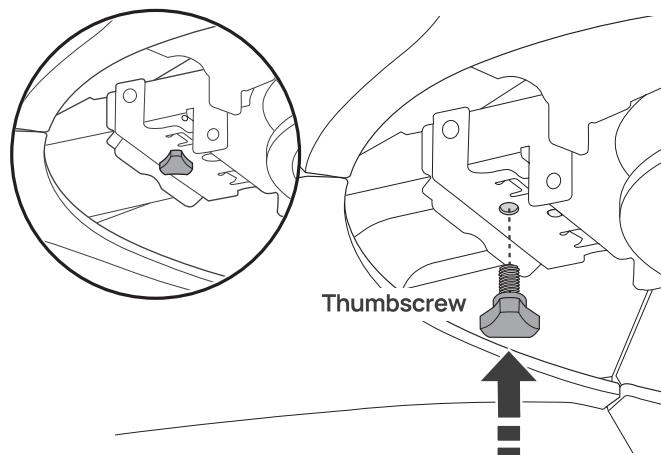
5



Push the metal toggle clamp on the blade arm upward to fully lock the fan blade. (You'll hear a distinct 'click'.)

Caution: ALWAYS be careful not to pinch your fingers when pulling the metal toggle clamp.

6



Securely tighten the **thumbscrew** into the middle hole of the blade arm.

7



Follow the above six steps to complete the assembly of the remaining four blades.

NOTE: Follow the instructions on the blade carefully. Incorrect installation could result in the fan not functioning properly.

Ceiling Bracket

Downrod

Hanging the Ceiling Fan

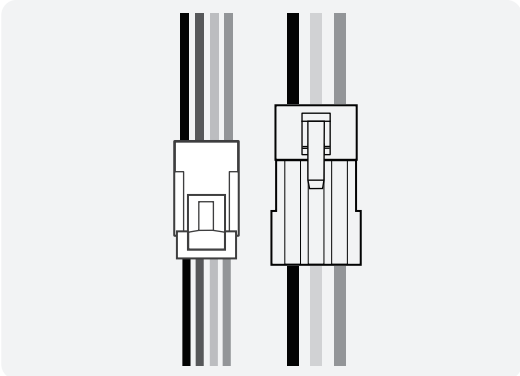
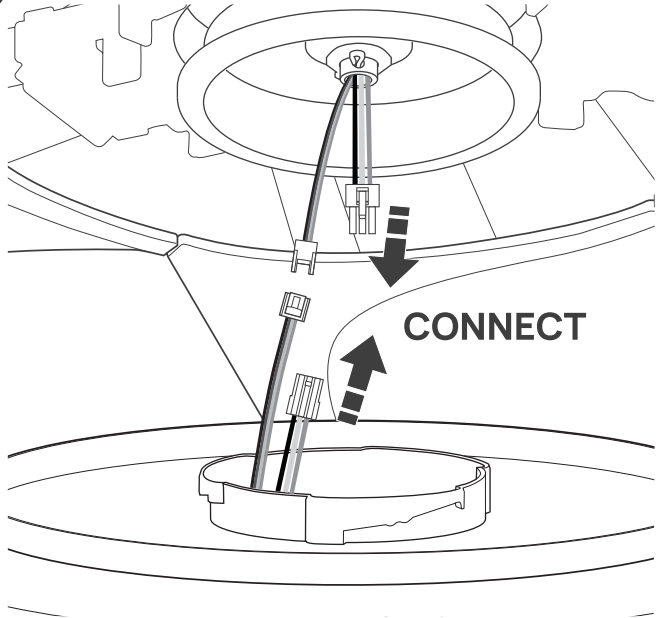
Blades

Light Kit

ASSEMBLING THE LIGHT KIT

08

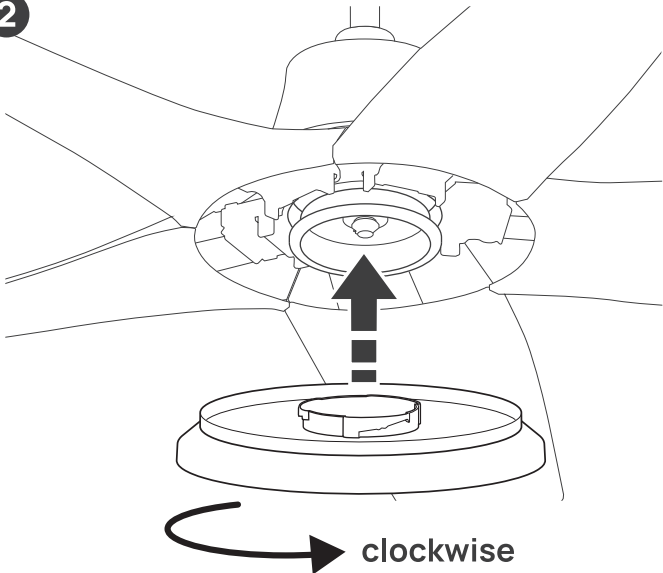
1



CONNECT

Connect matching-colored wires from the fan body to the light kit. Use transparent ports for LED light and solid white for RGB light.

2



clockwise

Rotate the light kit **clockwise** to securely fasten it into place.

Note: Once you have successfully secured the light kit, you will hear a distinct 'click'.

NOTE: Please check if the ceiling fan is properly installed before use.

Ceiling Bracket

Downrod

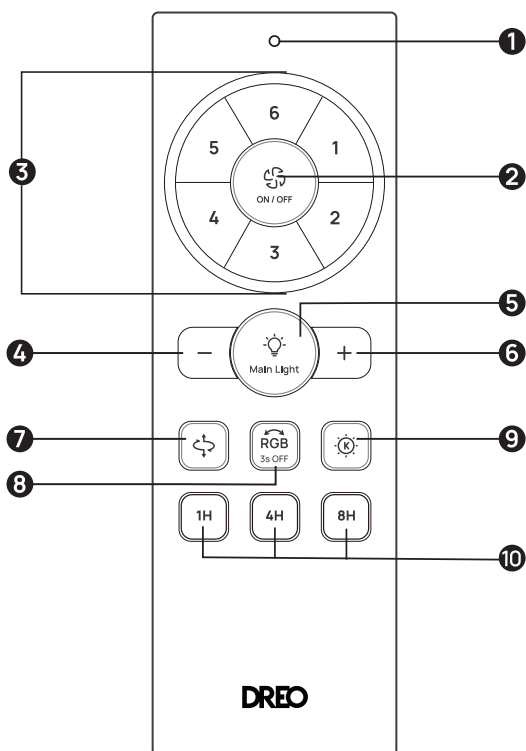
Hanging the Ceiling Fan

Blades

Light Kit



Congratulations!
You are ready to use your ceiling fan.



- ❶ Command Indicator
- ❷ Fan Power Button (On/Off)
- ❸ Fan Speed Settings (1 to 6)
- ❹ Decrease Brightness Button
- ❺ Main Light Button (On/Off)
- ❻ Increase Brightness Button
- ❼ Airflow Direction Button (Fan Must Be On)
- ❽ RGB Light Button
 - Touch to cycle through red, orange, yellow, green, turquoise, blue, purple, and turn off.
 - Long press for 3s to turn off the RGB light.
- ❾ Light Temperature/Mute Button
 - Long press 3s to turn on/off button sound.
- ❿ Quick Timer Settings (1H - 4H - 8H)
- ❷ + ❾ WiFi Connection/Disconnection (Long press 3 Seconds)

Touch **8H** repeatedly 5 times to restore factory settings.

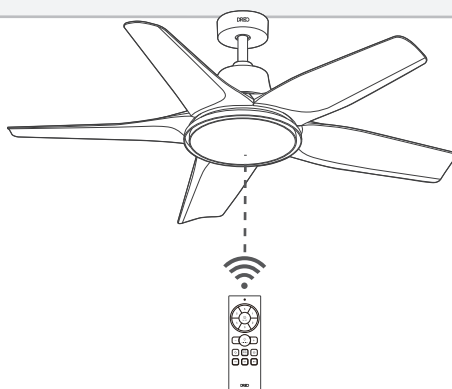
Note:
When the remote control battery is low, the command indicator light will flash for a few seconds.

Remote Control Pairing



The remote control that shipped with your fan is already paired.

Note: When pairing a new remote control, you MUST disconnect power (at the wall switch, breaker, or fan from other ceiling fans within range) to prevent faulty operation.

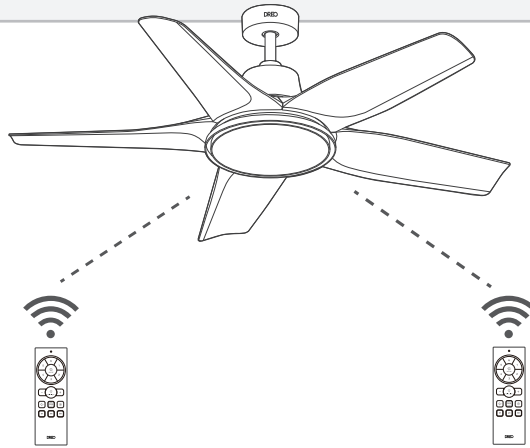
Pairing a new remote control to an existing fan





If you lose your remote control or purchase a new one, please follow the steps below to pair the control to your ceiling fan.

- Power cycle the fan by toggling the wall switch (or circuit breaker if needed). Within three minutes, long press the Light Power Button  and the Fan Power Button  on your remote for 3 seconds to pair it.
- If applicable, the fan will turn on the the lights will flash and stay on for three seconds, along with a continuous beep to indicate successful pairing.

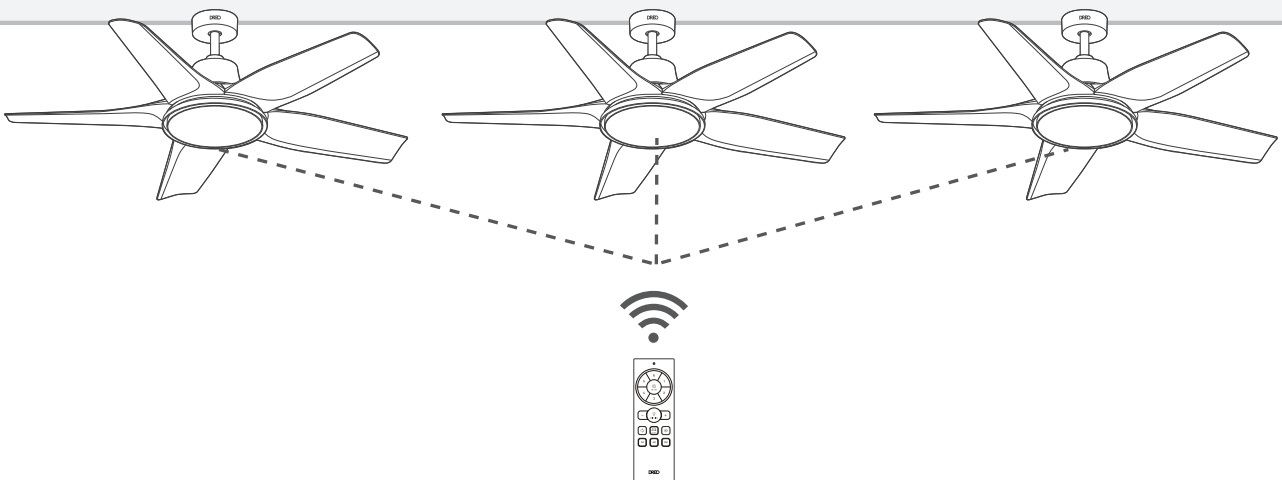
Installing one fan operating on multiple remote controls





To have multiple remote controls operate one fan, you must pair each additional control to the receiver in the fan. The remote control that shipped with your fan is already paired.

- For each additional control, power cycle the fan by toggling the wall switch (or circuit breaker if needed). Within three minutes, long press the Light Power Button  and the Fan Power Button  on your remote for 3 seconds to pair it.
- If applicable, the fan will turn on and the lights will flash and stay on for three seconds, along with a continuous beep to indicate successful pairing.

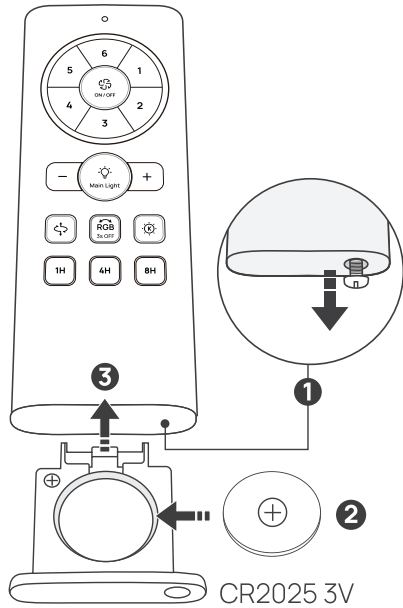
Installing multiple fans operating on a single remote control



To have multiple fans operated by a single remote control, you must pair the remote control to each additional receiver. The receiver that shipped with your fan is already paired to the remote control.

- For each additional fan, ensure that a compatible receiver is installed. Disconnect power from all other fans while pairing.
- Power cycle the fan by toggling the wall switch (or circuit breaker if needed). Within three minutes, long press the Light Power Button  and the Fan Power Button  on your remote for 3 seconds to pair it.
- If applicable, the fan will turn on and the lights will flash and stay on for three seconds, along with a continuous beep to indicate successful pairing.

Battery Replacement



1. Unscrew the locking button with a Phillips screwdriver to remove the battery holder.
2. Replace with the same battery type with the (+) side facing up.
3. Push the holder in and tighten the screw until it is securely locked into place.

Note: If the indicator on the remote control doesn't turn on anymore, please consider replacing the battery.

! WARNING

- **INGESTION HAZARD:** This product contains a button cell or coin battery.
- **DEATH** or serious injury can occur if ingested.
- A swallowed button cell or coin battery can cause **Internal Chemical Burns** in as little as **2 hours**.
- **KEEP** new and used batteries **OUT OF REACH** of **CHILDREN**
- **Seek immediate medical attention** if a battery is suspected to be swallowed or inserted inside any part of the body.



a) Remove and immediately recycle or dispose of used batteries according to local regulations and keep away from children. Do NOT dispose of batteries in household trash or incinerate.

b) Even used batteries may cause severe injury or death.

c) Call a local poison control center for treatment information.

d) Compatible battery type: CR2025.

e) Battery nominal voltage: 3.0 Vdc

f) Non-rechargeable batteries are not to be recharged.

g) Do not force discharge, recharge, disassemble, heat above (rated temperature: 140 °F) or incinerate. Doing so may result in injury due to venting, leakage or explosion resulting in chemical burns.

h) Ensure the batteries are installed correctly according to polarity (+ and -).

i) Do not mix old and new batteries, different brands or types of batteries, such as alkaline, carbon-zinc, or rechargeable batteries.

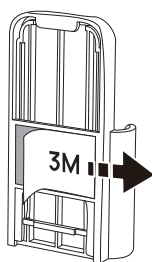
j) Remove and immediately recycle or dispose of batteries from equipment not used for an extended period of time according to local regulations.

k) Always completely secure the battery compartment. If the battery compartment does not close securely, stop using the product, remove the batteries, and keep them away from children.

Install the Remote Control Holder

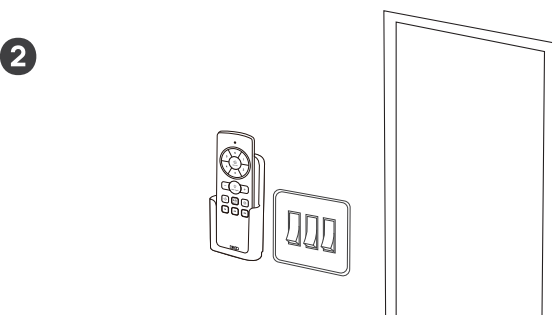
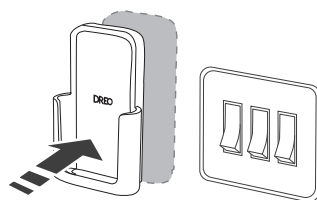
Option 1:

1



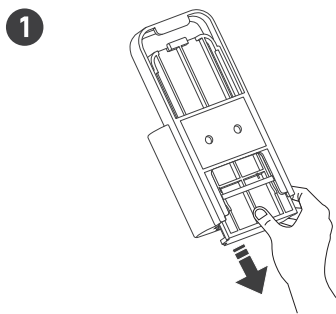
Peel off the 3M glue on the back of the holder to adhere it to the desired location.

2

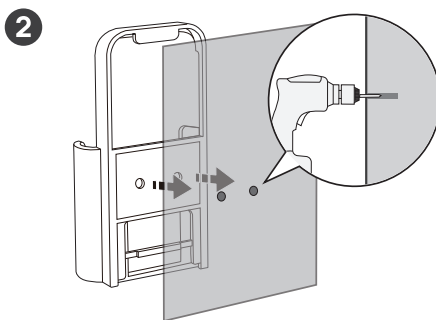


Store your remote control.

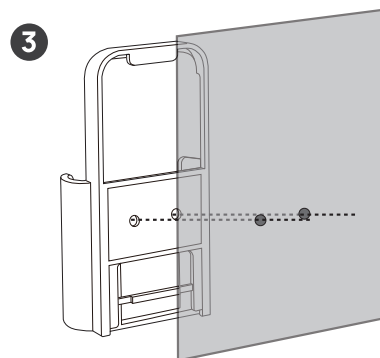
Option 2:



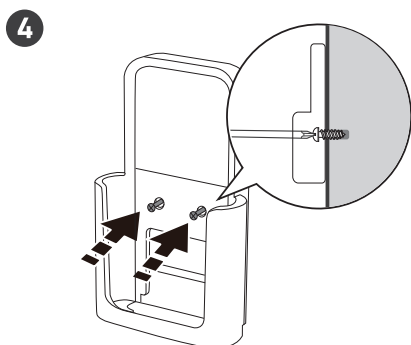
Slide the backboard downward to remove it.



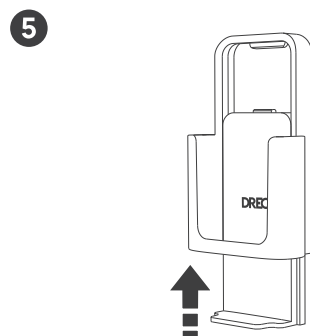
Use the two holes on the holder as a guide to drill two corresponding holes in the flat wall.



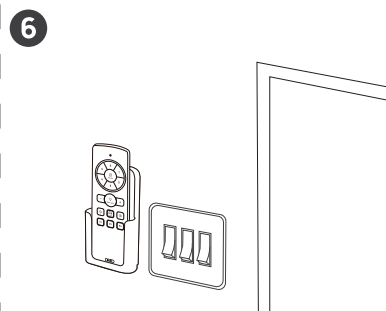
Align the two holes on the holder with the two holes on the wall.



Insert the two screws into the holes and tighten them using a screwdriver.



Slide the backboard upward to reposition it.



Store your remote control.

Additional Features






Memory

If the fan is turned OFF or disconnected from power, it will operate under the previous settings (except the timer setting) when it is turned ON again.



Timer

When the ceiling fan is ON/OFF, touch the timer button    on the remote control to set a timer (1H, 4H, 8H).
When the timer ends, the ceiling fan will stop/start running automatically.


RGB

RGB Light

Touch to cycle through red, orange, yellow, green, turquoise, blue, purple, and turn off. Long press for 3s to turn off the RGB light.



Mute

Long press the light temperature button  for 3s to turn on/off button sound.

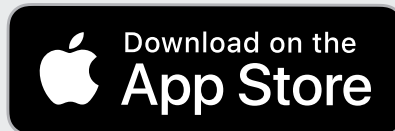
CONNECTING YOUR CEILING FAN

10

This device includes the radio transmitting module whose CMIIT ID is FCC ID: 2A3SYCF002S.



Before connecting the appliance to your mobile device, please scan the QR code on the left or go to the app store and search “Dreo”, then select and download the app.







Look for “CLF712S” when connecting your new ceiling fan.



You can use the Dreo app to connect your ceiling fan to **Amazon Alexa** or **Google Home**.

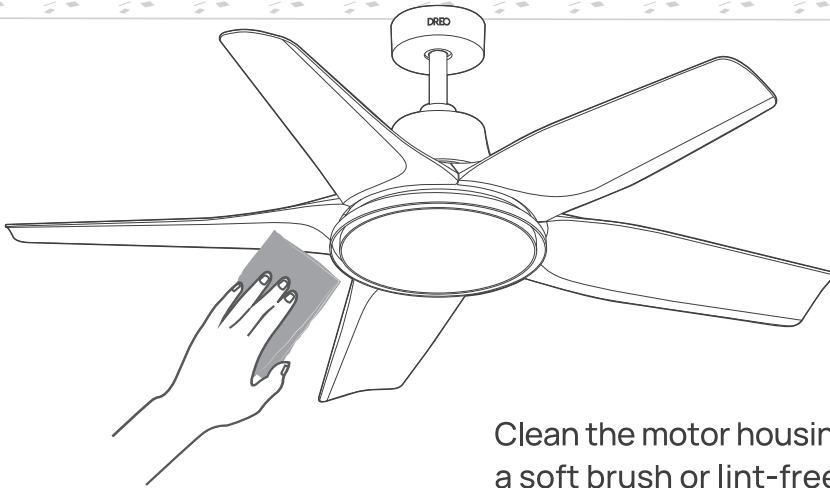
Please follow the in-app instructions to set up your voice assistant.

NOTE: You must create a Dreo account to access voice assistants.

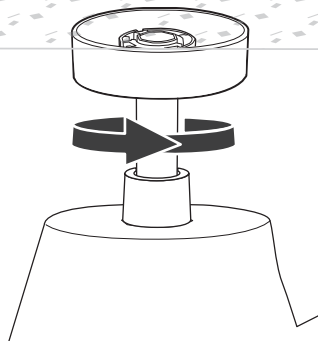
- 1** Launch Dreo and sign in or create account by following in-app instructions.
- 2** Enable Bluetooth on your mobile device and plug in your ceiling fan.
- 3** Hold the light power button  and color temperature button  on remote control for 3 seconds to start WiFi connection.
(The ceiling fan light will dim intermittently during the pairing process.)
- 4** Tap + **Add Device** and select **CLF712S**.
- 5** Follow in-app instructions to complete WiFi connection.
- 6** You're now ready to control the appliance on your app.
To restart network setup, hold the light power button  and color temperature button  again for 3 seconds.

CLEANING AND MAINTENANCE

11



Clean the motor housing and blades with a soft brush or lint-free cloth to avoid scratching the finish.



At least twice each year, lower the canopy to check the downrod assembly and tighten all screws on the fan.



- Shut off the main power supply before you begin any maintenance task.
- **DO NOT** use water or a damp cloth to clean the fan.
- Cleaning products may damage the finishes.

Problem	Solution
Fan Doesn't Work	<ul style="list-style-type: none">• Make sure the power switch is on.• Check the circuit breaker to ensure the power is turned on.• Make sure the blades spin freely.• Turn off power from the circuit breaker, then loosen the canopy and check all the connections according to the wiring diagram.
Excessive Wobbling	<ul style="list-style-type: none">• Make sure the blades are properly installed on the blade iron posts.• Turn the power off, support the fan carefully, and check that the hanger ball is properly seated.
Remote Control of Fan is Erratic	<ul style="list-style-type: none">• Make sure the battery is installed correctly. If the command indicator light keeps flashing, indicating low battery, install a fresh battery.
Remote Only Works Close to Fan	<ul style="list-style-type: none">• Change battery
Noisy Operation	<ul style="list-style-type: none">• Make sure the blades are properly installed.• Check to see if any of the blades are cracked. If so, replace all of the blades.

If your problem is not listed or still persists, please contact our Customer Support (see page 19)

Default 12-Month Warranty

This appliance is covered by Dreco warranty for 12 months from the date of its original purchase.

Extend Your Warranty

Extend your warranty by registering your new appliance on our website <https://dreco.com/warranty>.

The warranty will not apply in cases of:

- Accident, misuse, or repairs performed by unauthorized personnel.
- Any unit that has been tampered with or used for commercial purposes.
- Normal wear and tear of wearable parts.
- Use of force, damage caused by external influences.
- Damage caused by non-observance of the User Manual, e.g. connection to an unsuitable mains supply or noncompliance with the instructions.
- Partially or completely dismantled appliances.
- Defects caused by or resulting from damages from shipping or from repairs, service, or alteration to the product or any of its parts that have been performed by a repair person not authorized by DREO.

We can only provide after-sales service for products that are sold by DREO or DREO authorized retailers and distributors. If you have purchased your unit from a different place, please contact your seller for return and warranty issues.

FCC STATEMENT

This device complies with Part 15 of the FCC Rules.

This equipment has been tested and found to comply with the limits for a Class B digital device, pursuant to Part 15 of the FCC Rules. These limits are designed to provide reasonable protection against harmful interference in a residential installation. This equipment generates, uses and can radiate radio frequency energy and, if not installed and used in accordance with the instructions, may cause harmful interference to radio communications. However, there is no guarantee that interference will not occur in a particular installation. Please note that changes or modifications of this product is not expressly approved by the party responsible for compliance could void the user's authority to operate the equipment. If this equipment does cause harmful interference to radio or television reception, which can be determined by turning the equipment off and on, the user is encouraged to try to correct the interference by one or more of the following measures:

- Reorient or relocate the receiving antenna.
- Increase the separation between the equipment and receiver.
- Connect the equipment into an outlet on a circuit different from that to which the receiver is connected.
- Consult the dealer or an experienced radio/TV technician for help.

Any changes or modifications not expressly approved by the party responsible for compliance could void the user's authority to operate the equipment. This device complies with Part 15 of the FCC Rules. Operation is subject to the following two conditions:

- (1) this device may not cause harmful interference, and
- (2) this device must accept any interference received, including interference that may cause undesired operation.

Model No.: DR-HCF002S
Rev_1.1_EN

We're Here to Help!

 (888) 290-1688 Mon - Fri, 9:00 am-5:00 pm PST/PDT

 support@dreo.com

 www.dreo.com

 Shenzhen Hesung Innovation Technology Co., LTD

 26F, Bldg A7, Creative City, Shenzhen, China



MADE IN CHINA



www.dreo.com

Looking for help?

Contact us to get expert support.



support@dreo.com



[\(888\) 290-1688](tel:(888)290-1688)



www.dreo.com

Mon-Fri, 9:00 am-5:00 pm PST/PDT