

设计版本号	产品名称 Product name	比例 scale	日期 Date	设计师 Designer	审核 Audit	
Rev_V2_EN	DR-HCF001S_美规_说明书	1:1	240103	beryl	Harden / Luaru	
Hesung innovation 和生创新	材质印刷与 技术要求	封面封底:80g书纸 内页: 80g书纸 印刷要求: 双面印刷, 文字线图清晰 装订方式: 骑马钉装订	字体 Fonts	Manrope	尺寸 Size	210*297MM

图纸设计禁止修改, 尺寸刀模图为准

*此页删除不做印刷
封底



420MM

图层使用规范:
1、备注信息图层为非印刷区域, 展示印刷物料基础信息。
2、刀板线、备注工艺、尺寸层展示印刷工艺部分。
3、画面信息层展示印刷展示图片与文字。
*电子文档为Adobe Illustrator制作

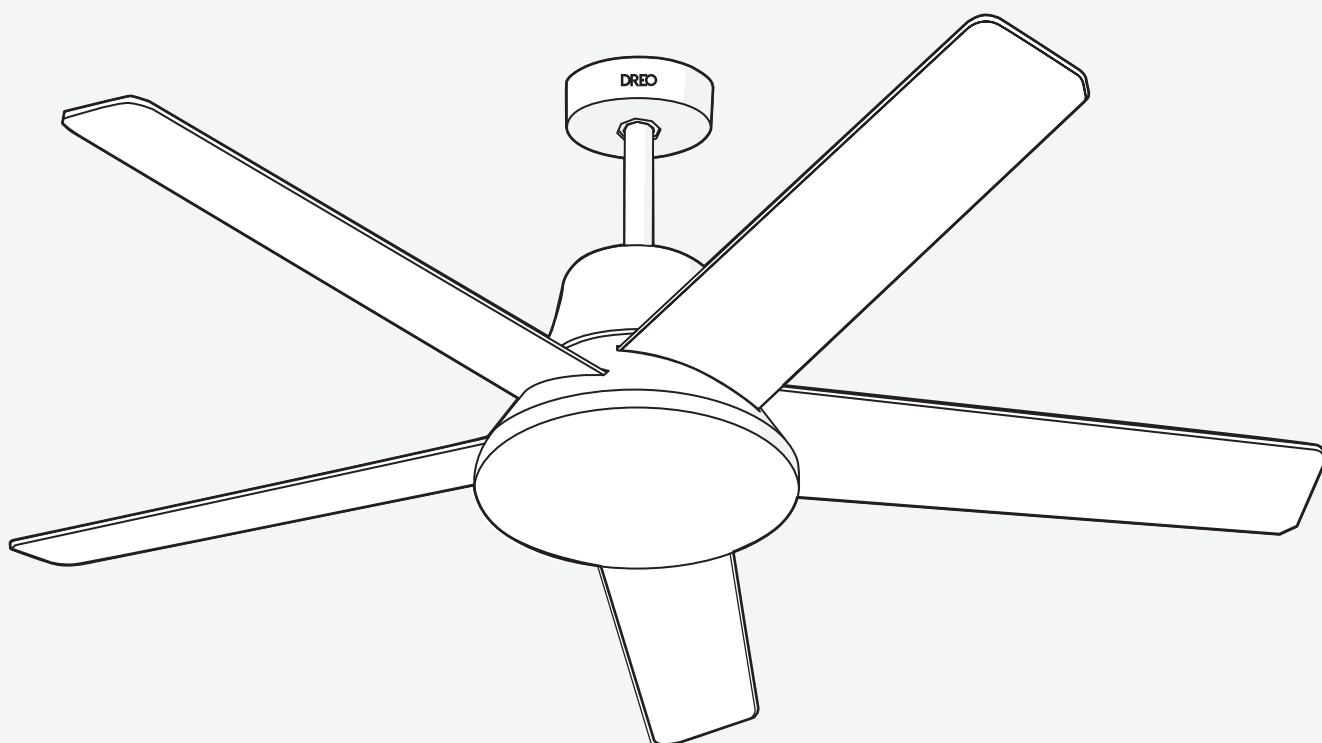
文件格式: model规格类目日期.AI (为可编辑原始文档)
文件格式: model规格类目日期.pdf (为文件转曲不可编辑文档)

审稿	
检查事项	会签以“/”形式确认 (负责部门/姓名)
审稿检查事项	
商标规范	
字符高度	
工艺材质	
颜色标识	
产品文案	
条码检查	
厂址	
全成分	
警告标语	
执行标准	
产品尺寸	
外/内箱尺寸	
OEM信息*	
产品包装信息	
请相关部门确认产品、包装等信息!	
*OEM信息:	
委托方及被委托方	
信息 (名称、地址、	
邮编、电话、生产	
许可证、卫生许可	
证)	

设计师	审核	产品负责人	法规	采购
-----	----	-------	----	----

DREO

Smart Ceiling Fan
CLF521S



USER MANUAL

Thanks for Choosing

DREO!

Your support means the world to us.

We hope you enjoy our product as much as we did creating it.

CONTENTS

01 IMPORTANT SAFETY INSTRUCTIONS	1-2
02 PACKAGE CONTENTS	3
03 BEFORE INSTALLATION	4
04 ASSEMBLING THE CEILING BRACKET	5
05 ASSEMBLING THE BLADES	6
06 ASSEMBLING THE DOWNROD	7-8
07 HANGING YOUR CEILING FAN	9
08 ASSEMBLING THE LIGHT KIT	10
09 USING YOUR CEILING FAN	11-13
10 CONNECTING YOUR CEILING FAN	14
11 CLEANING AND MAINTENANCE	15
12 TROUBLESHOOTING	16
13 DREO CUSTOMER CARE	17

IMPORTANT SAFETY INSTRUCTIONS

01

READ AND SAVE THESE INSTRUCTIONS

- 1.To reduce the risk of fire, electrical shock, or personal injury, mount fan directly from building structure and/or an outlet box marked acceptable for fan support of 15.9 kg(35 lbs) and use the mounting screws provided with the outlet box.
- 2.To avoid possible electrical shock, before installing or servicing your fan, disconnect the power by turning off the circuit breakers to the outlet box and associated wall switch location. If you cannot lock the circuit breakers in the off position, securely fasten a prominent warning device, such as a tag, to the service panel.
- 3.To reduce the risk of electric shock, this fan must be installed with an isolating wall control/switch.
- 4.**WARNING:**To reduce the risk of personal injury, do not bend the blade brackets when installing the blade brackets, balancing the blades, or cleaning the fan. Do not insert foreign objects in between rotating fan blades.
- 5.Chemical burn hazard. Keep batteries away from children. This remote contains a lithium button cell battery. If a new or used lithium button/coin cell battery is swallowed or enters the body, it can cause severe internal burns and can lead to death in as little as 2 hours. Always completely secure the battery compartment. If the battery compartment does not close securely, stop using the product, remove the batteries, and keep it away from children. If you think batteries might have been swallowed or placed inside any part of the body, seek immediate medical attention. Dispose of cells properly and keep away from children. Even used cells may cause injury.
- 6.Non-rechargeable batteries are not to be recharged. Exhausted batteries are to be removed from the product.
- 7.This appliance can be used by children aged from 8 years and above and persons with reduced physical, sensory or mental capabilities or lack of experience and knowledge if they have been given supervision or instruction concerning use of the appliance in a safe way and understand the hazards involved. Children shall not play with the appliance. Cleaning and user maintenance shall not be made by children without supervision. It is recommended that children be supervised to ensure that they are not using the appliance improperly.
- 8.**WARNING:**To reduce the risk of fire or electric shock or injury to persons, do not use replacement parts that have not been recommended by the manufacturer (e.g. parts made at home using a 3D printer).
- 9.Read all instructions and safety information before installing your new fan. Review the accompanying assembly diagrams.
- 10.Before installing the fan, disconnect the power by removing fuses or turning off circuit breakers.
- 11.Make sure all electrical connections comply with local law and the national electrical code. Please hire a qualified electrician or consult a do-it-yourself wiring handbook if you are unfamiliar with installing electrical wiring.
- 12.Make sure the installation site is roomy enough to allow fan blades to rotate. There is at least seven feet from the floor to fan blades' tips.
- 13.If you are mounting the fan on a ceiling outlet box, please use a metal outlet box. Secure the box directly to the building structure. The outlet box and its support must be able to support the rotating fan (at least 35 lbs).Do not use a plastic outlet box. Attach the mounting bracket using the ceiling outlet box's hardware.
- 15.After installing the fan, make sure all the connections are secured so that the fan won't fall.
- 16.Do not insert anything between fan blades while the fan is operating.
- 17.Turn the fan off and wait for it to stop before reversing fan's rotating direction.
- 18.**WARNING:**To reduce the risk of electrical shock and personal injury, do not install the fan on a sloped ceiling and do not use this fan with any solid-state fan speed control device, or rheostat. You must install the outlet box using the two steel screws and lock washers coming with the fan.
- 19.All wiring must be in accordance with national and local electrical codes ANSI/NFPA 70. If you are unfamiliar with wiring, use a qualified electrician.
20. After making the wire connections, the wires should be spread apart with the grounded conductor and the equipment-grounding conductor on one side of the outlet box and the ungrounded conductor on the other side of the outlet box.

21. The splices after being made should be turned upward and pushed carefully up into the outlet box.
22. Instructions for supply connections: the white conductor of a fan identified as grounded conductor to be connected to a grounded conductor of power supply, the black conductor of fan identified as ungrounded conductor to be connected to an ungrounded the green conductor of power supply, conductor of fan identified for equipment grounding to be connected to an equipment-grounding conductor.

FOR HOUSEHOLD USE ONLY

Gentle Reminder:



Check the appliance regularly and refer to TROUBLESHOOTING or contact our customer support if it shows any of the following signs:

- Components or parts are damaged.
- Loud noise or unusual smell.

Specifications

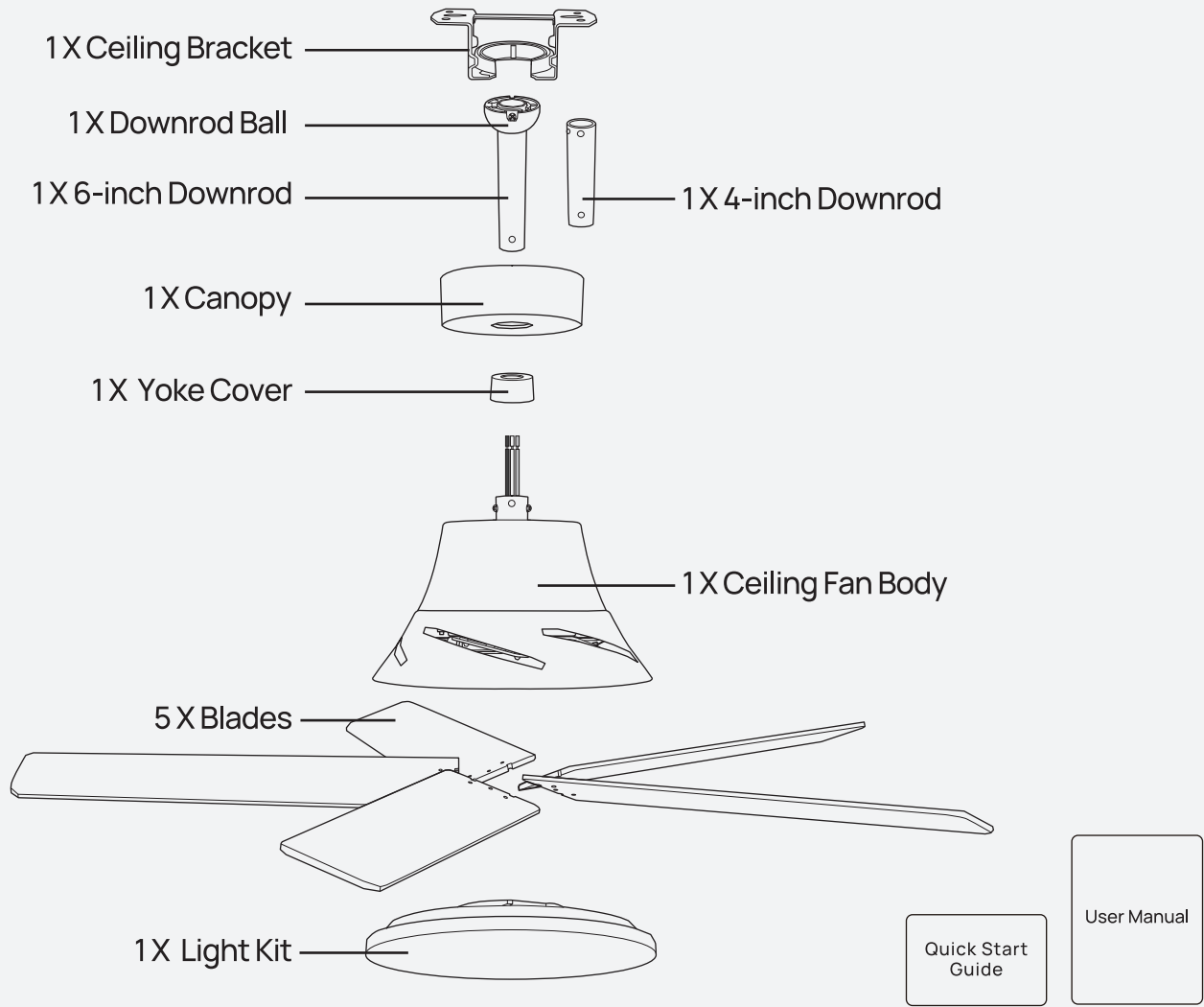
Model No.	DR-HCF001S
Power Supply	120V 60HZ
Rated Power	60W
Remote Control Battery	CR2025 3V

PACKAGE CONTENTS

02



Scan the QR code to watch the installation video:



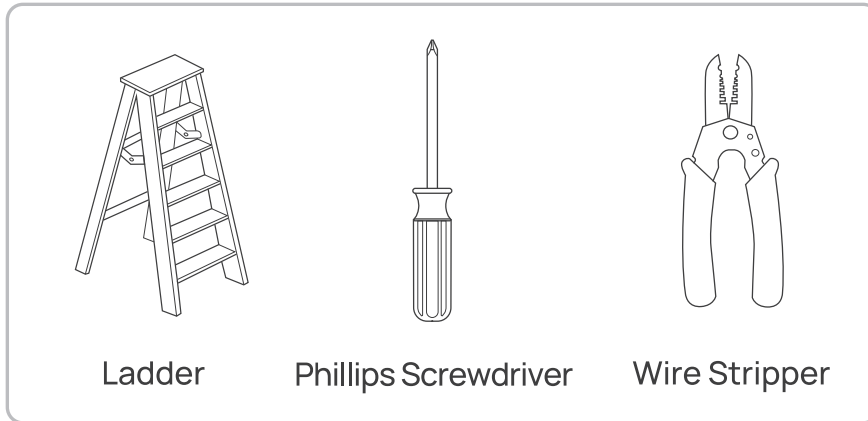
1 Parts for Ceiling Bracket	2 Parts for Blades	3 Parts for Downrod	4 Parts for Remote Control Holder
Wood Screws X 4 Washer X 4 Wire Connector Cap X 3+1 (extra)	Screw X 15+2 (extra) Washer X 15+2 (extra) Balancing Weight X 2 Balancing Clip X 1	Yoke Cover X 1	Wall-mounted Screw X 2 3M 3M Glue X 1 Remote Control (Battery Included) Remote Control Holder Remote Control Instruction Card

BEFORE INSTALLATION

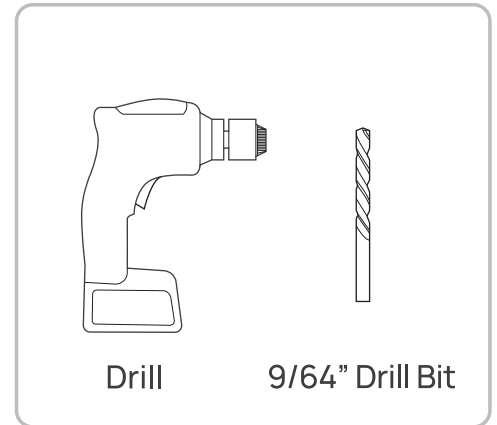
03

TOOLS NEEDED (NOT INCLUDED)

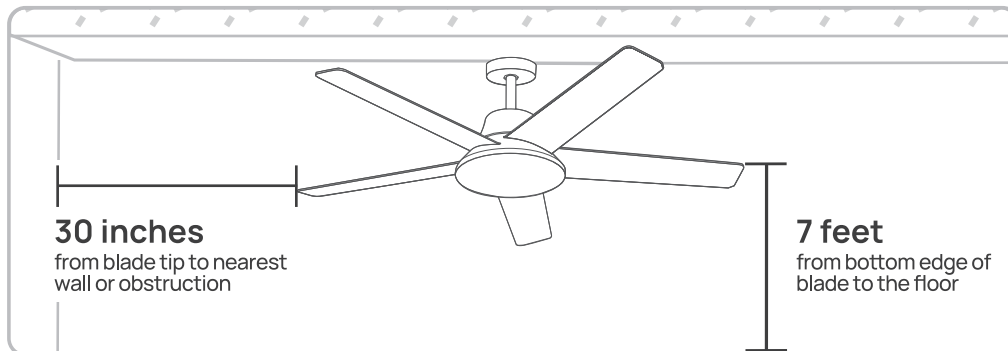
Essential Tools for a Successful Installation:



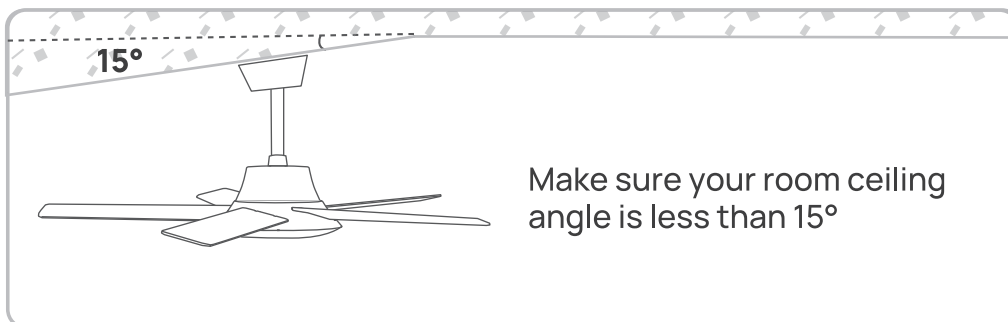
Optional Tools:



Check the room dimensions:



Check the room ceiling angle:



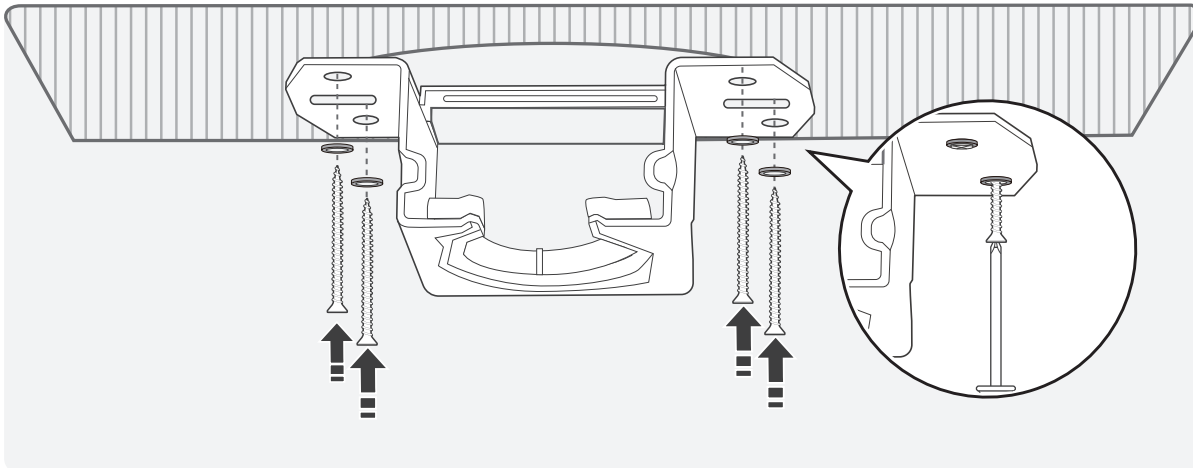
It is recommended to have a partner when installing the ceiling fan.

ASSEMBLING THE CEILING BRACKET

04



Before installing the fan, disconnect the power by removing fuses or turning off circuit breakers.

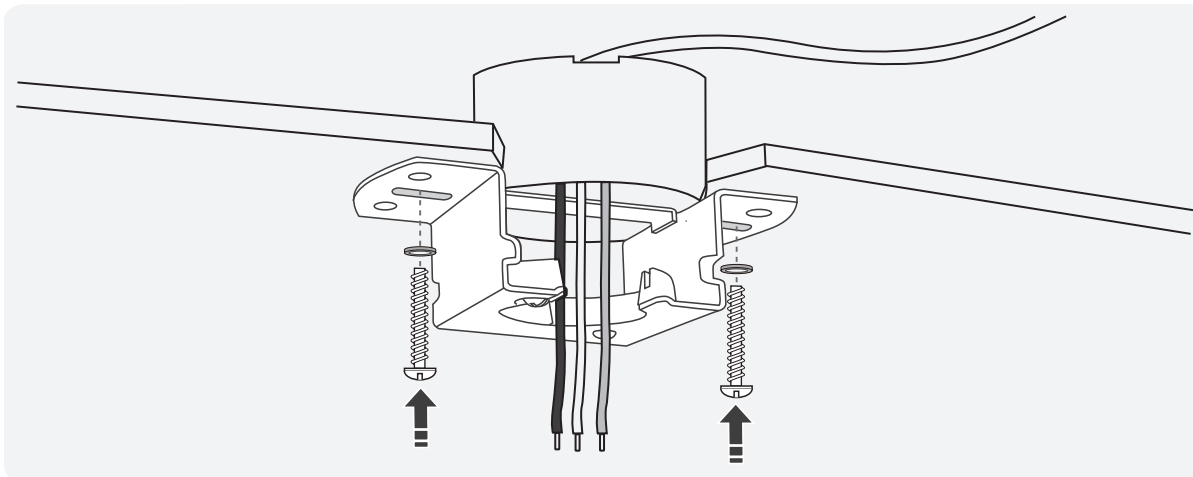


Option 1:

Use wood screws when:

Securing an approved electrical outlet box.

Drill $9/64$ " pilot holes in support structure to aid in securing ceiling bracket.



Option 2:

Use machine screws (provided with outlet box) when:

Securing to existing ceiling fan-rated outlet box.

Make sure it is securely installed and is acceptable for fan support of 15.8kg (35 lbs) or less.

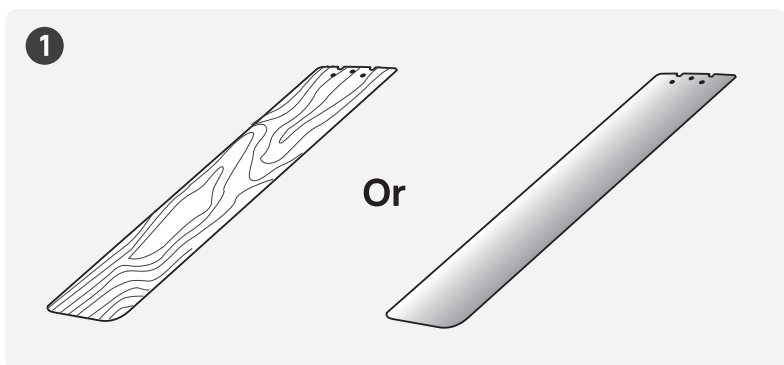
Ceiling Bracket → Blades → Downrod → Hanging the Ceiling Fan → Light Kit

ASSEMBLING THE BLADES

05

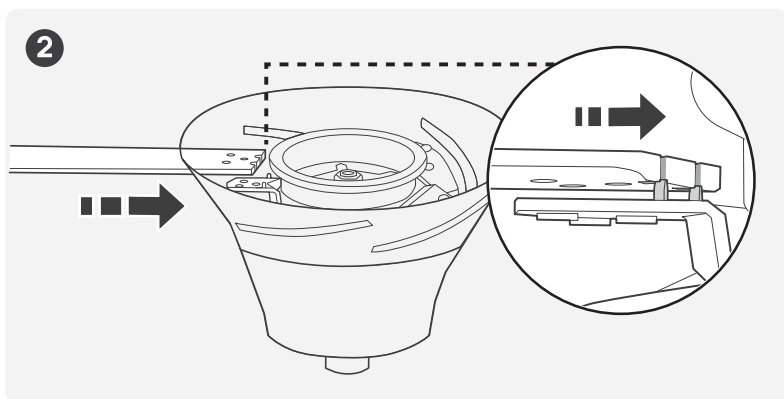


Gentle reminder: Place the foam under the ceiling fan body when assembling the blades to prevent any damage to the wires.

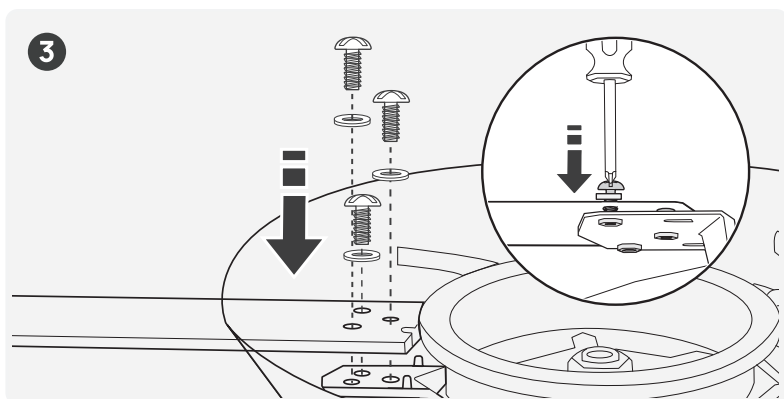


You have the freedom to select either the front or back side according to your preference.

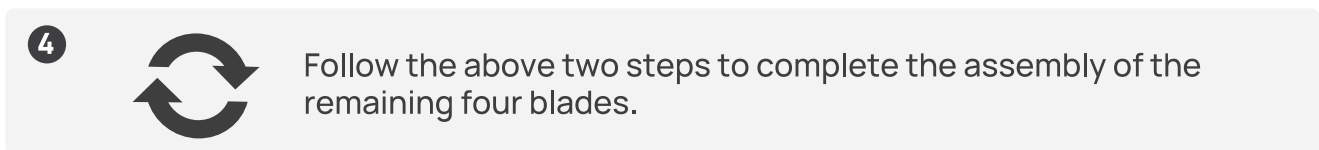
Note: For better performance, utilize the fan blades consistently, whether using the front or reverse side.



Make sure that the two blade slots align with the vertical tabs of the ceiling fan body.



Partially insert the screws into the blade's holes, and then use a screwdriver to securely tighten them.

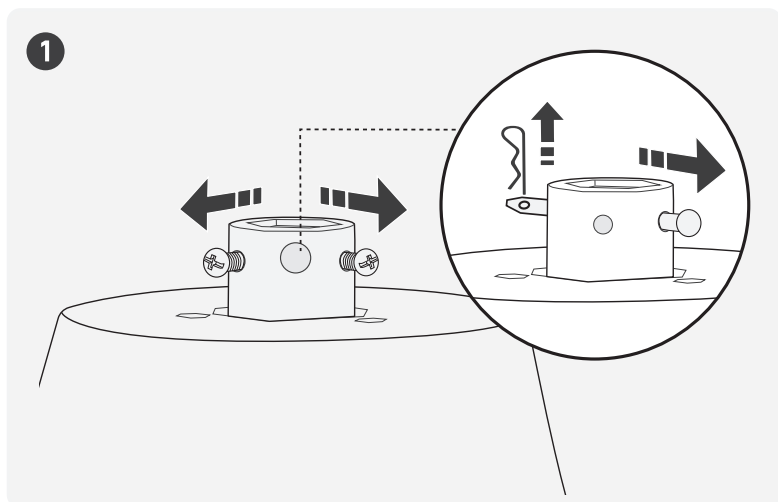


NOTE: Follow the instructions on the blade carefully. Incorrect installation could result in the fan not functioning properly.

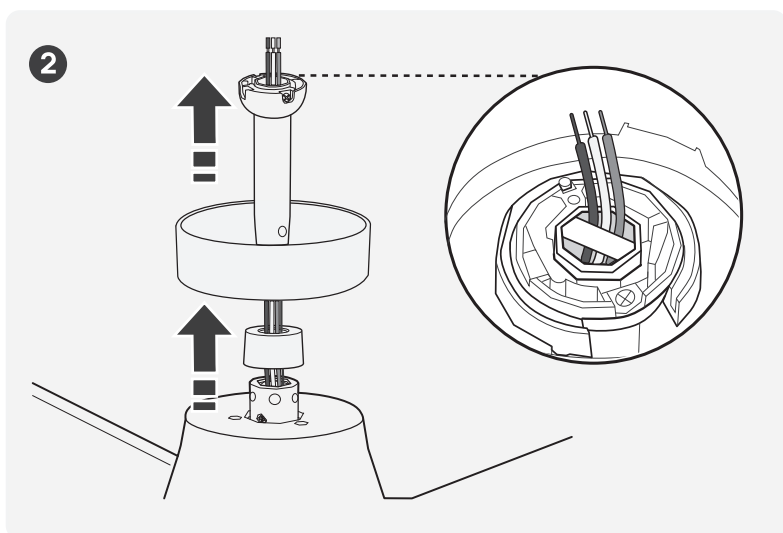
Ceiling Bracket → **Blades** → Downrod → Hanging the Ceiling Fan → Light Kit

ASSEMBLING THE DOWNROD

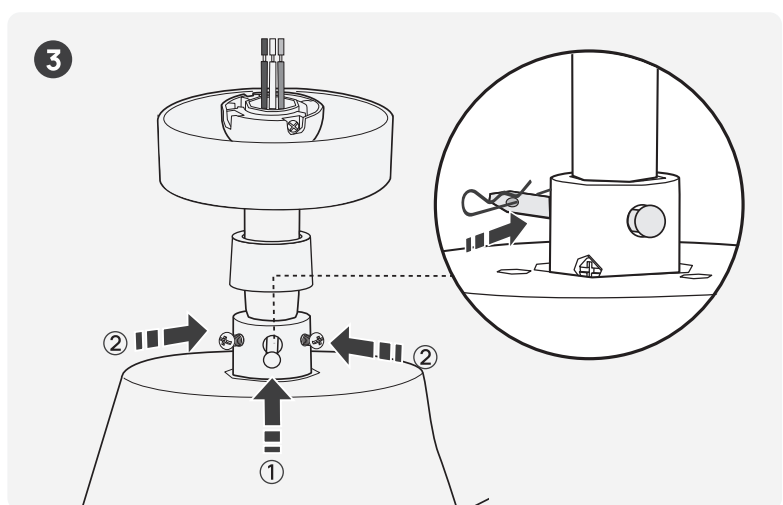
06



Remove the pre-installed setscrews and downrod pin from the downrod.

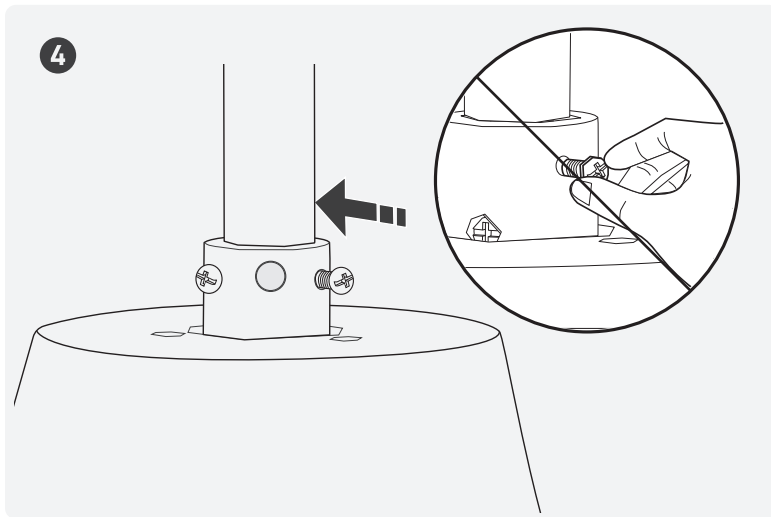


Pass all the wires to one side of the horizontal bar in the downrod to prevent excessive wire tangling.



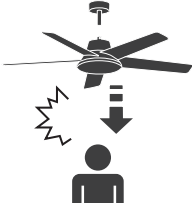
Slide the downrod into the yoke of the motor assembly,
Align the holes in the downrod.
Re-install the downrod pin and clip.
Screw the downrod into the yoke.

Ceiling Bracket → Blades → **Downrod** → Hanging the Ceiling Fan → Light Kit



Tighten the setscrew with a screwdriver.

Note: Please lift the canopy to avoid interference with your installation when you are tightening setscrew.

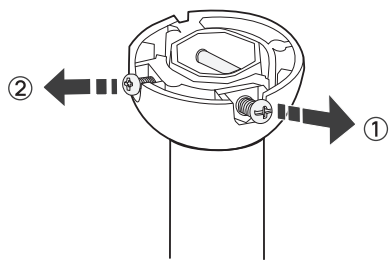
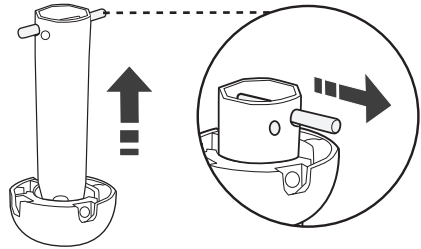
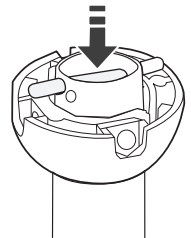
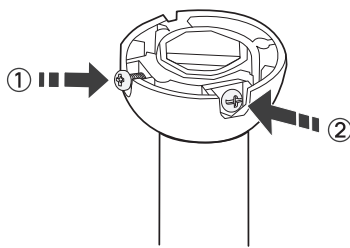


WARNING: FAN FALL HAZARD

To prevent **SERIOUS INJURY** or **DEATH**:

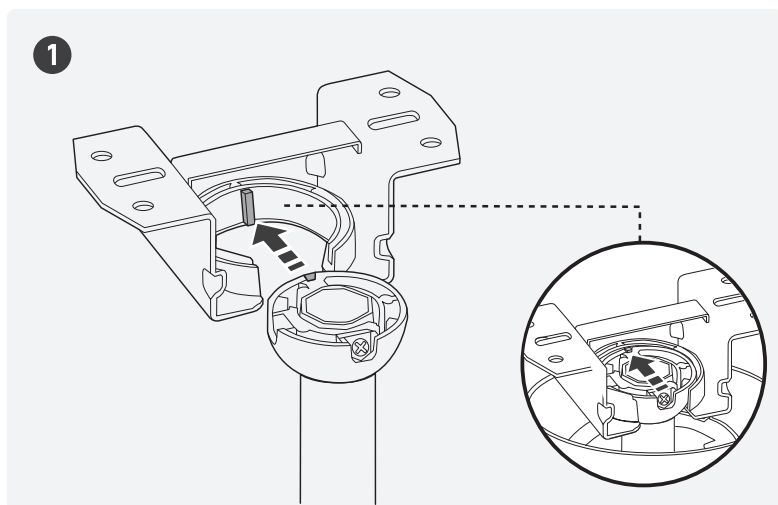
- ALWAYS tighten setscrew with pliers.
- DO NOT hand tighten setscrew.
- CHECK the setscrew is tight using pliers each time you change fan direction.

The downrod ball has been pre-installed on the 6-inch downrod. If you wish to move it to the 4-inch downrod, please follow these steps.

<p>1</p>  <p>Loosen and remove the two screws on the downrod ball from the 6-inch downrod.</p>	<p>2</p>  <p>Lift the downrod upwards, then remove the horizontal bar, and detach the downrod ball from the 6-inch downrod.</p>
<p>3</p>  <p>Install the downrod ball onto the 4-inch downrod and securely insert the horizontal bar in its designated position.</p>	<p>4</p>  <p>Insert the first perforated screw tightly, and then insert the second screw tightly.</p>

HANGING YOUR CEILING FAN

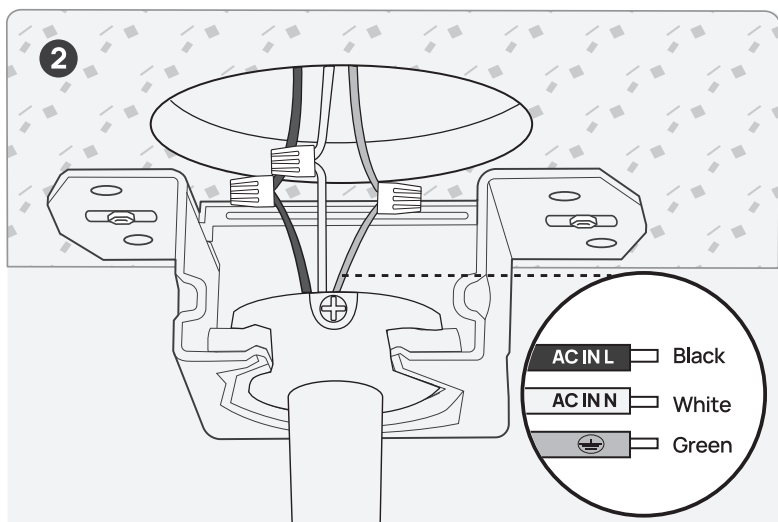
07



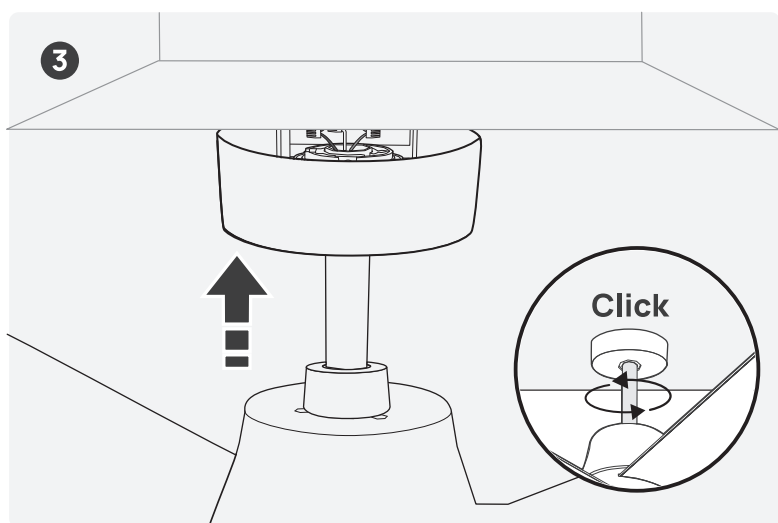
Place the downrod ball into the ceiling bracket.

Make sure the downrod ball slot matches the inner lock.

Rotate the downrod until it's secured.



Connect the wires with matching colors from the ceiling fan body to the ceiling.



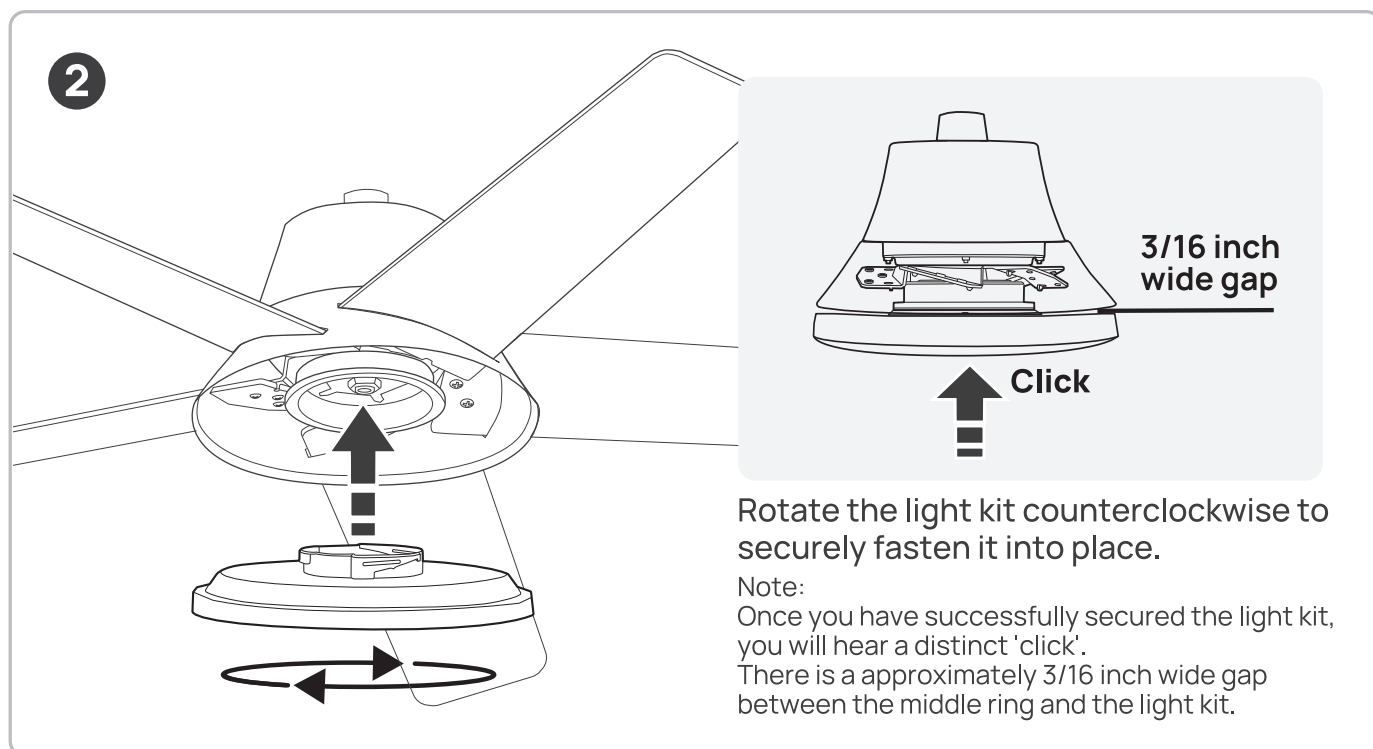
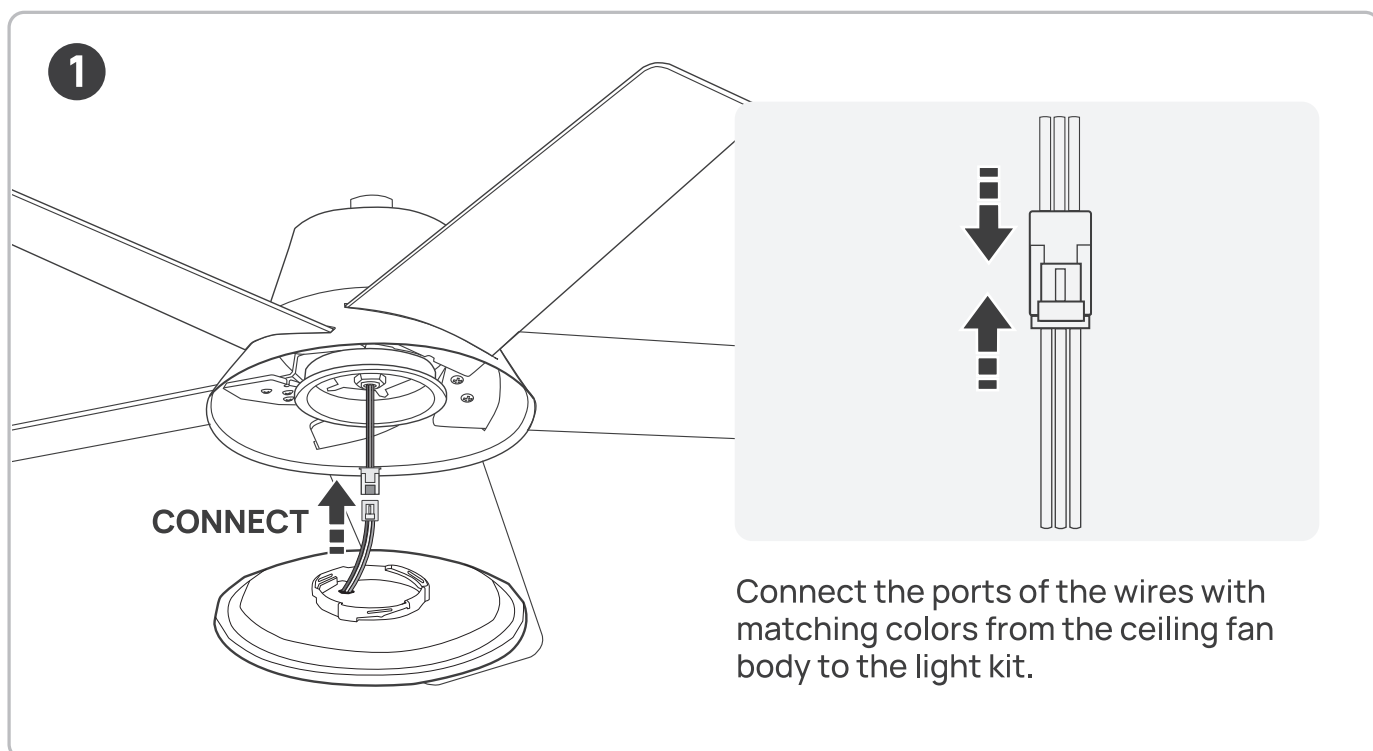
Rotate the canopy clockwise to securely fasten it to the ceiling bracket (You will hear a "click").

Note: Please check if the ceiling fan has been properly installed before use.

Ceiling Bracket → Blades → Downrod → Hanging the Ceiling Fan → Light Kit

ASSEMBLING THE LIGHT KIT

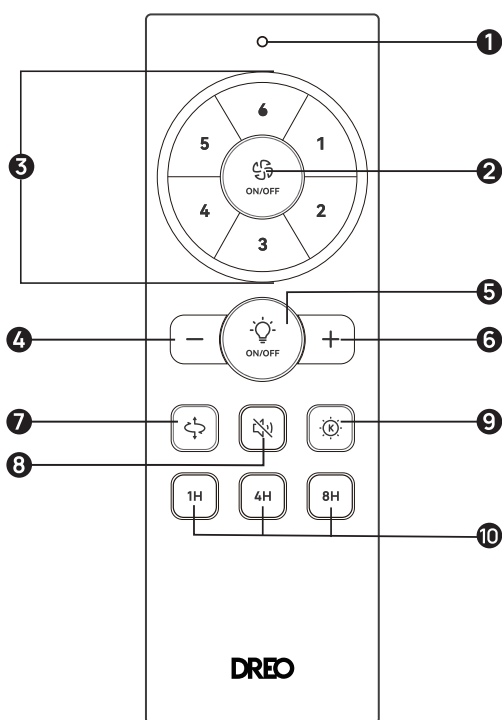
08



Ceiling Bracket → Blades → Downrod → Hanging the Ceiling Fan → Light Kit

USING YOUR CEILING FAN

09



- ❶ Command Indicator
- ❷ Fan Power Button (On/Off)
- ❸ Fan Speed Settings (1 to 6)
- ❹ Decrease Brightness Button
- ❺ Light Power Button (On/Off)
- ❻ Increase Brightness Button
- ❼ Airflow Direction Button
- ❽ Mute Button
- ❾ Light Temperature Button
- ❿ Quick Timer Settings (1H - 4H - 8H)

❺ + ❾

WiFi Connection/Disconnection
(Long press 3 Seconds)

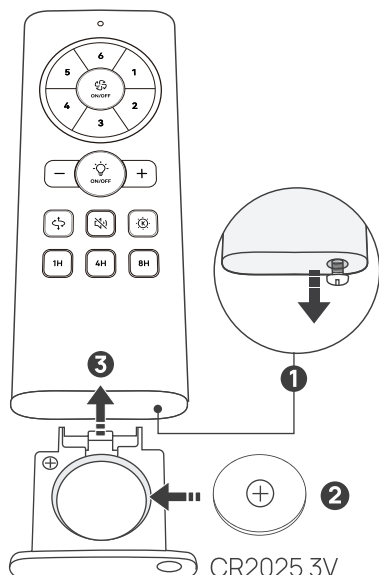
Touch 8H repeatedly 5 times to restore
factory settings.

Remote Control Pairing

If you lose your remote control and purchase a new one, please follow these steps to pair your new remote control to the ceiling fan:

1. Turn off the power from the ceiling fan.
2. Within 3 minutes of re-connecting the power to the ceiling fan, long press the Light Power Button  and the Fan Power Button  on your remote for 3 seconds to pair it.

Battery Replacement



1. Unscrew the locking button with a Phillips screwdriver to remove the battery holder.
2. Replace with the same battery type with the (+) side facing up.
3. Push the holder in and tighten the screw until it is securely locked into place.

Note: If the indicator on the remote control doesn't turn on anymore, please consider replacing the battery.

WARNING

- **INGESTION HAZARD:** This product contains a button cell or coin battery.
- **DEATH** or serious injury can occur if ingested.
- A swallowed button cell or coin battery can cause Internal Chemical **Burns** in as little as **2 hours**.
- **KEEP** new and used batteries **OUT OF REACH of CHILDREN**
- **Seek immediate medical attention** if a battery is suspected to be swallowed or inserted inside any part of the body.

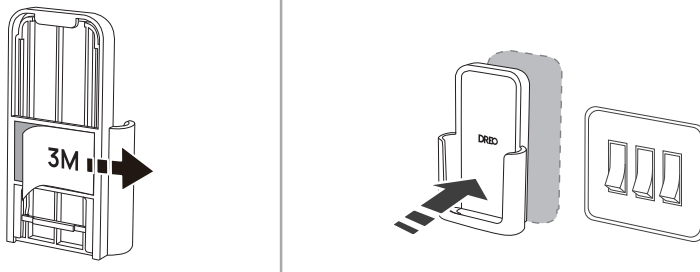


- Remove and immediately recycle or dispose of used batteries according to local regulations and keep away from children. Do NOT dispose of batteries in household trash or incinerate.
- Even used batteries may cause severe injury or death.
- Call a local poison control center for treatment information.
- Compatible battery type: CR2025.
- Battery nominal voltage: 3.0 Vdc
- Non-rechargeable batteries are not to be recharged.
- Do not force discharge, recharge, disassemble, heat above (rated temperature: 140 °F) or incinerate. Doing so may result in injury due to venting, leakage or explosion resulting in chemical burns.
- Ensure the batteries are installed correctly according to polarity (+ and -).
- Do not mix old and new batteries, different brands or types of batteries, such as alkaline, carbon-zinc, or rechargeable batteries.
- Remove and immediately recycle or dispose of batteries from equipment not used for an extended period of time according to local regulations.
- Always completely secure the battery compartment. If the battery compartment does not close securely, stop using the product, remove the batteries, and keep them away from children.

Install the Remote Control Holder

Option 1:

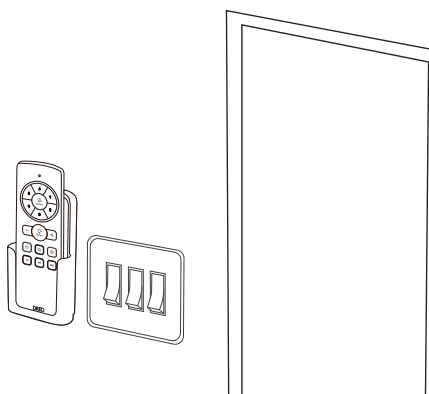
1



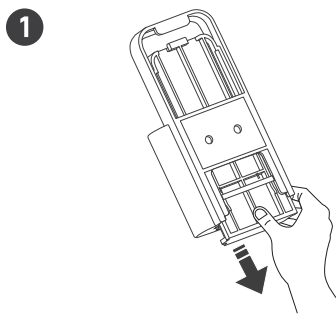
Peel off the 3M glue on the back of the holder to adhere it to the desired location.

2

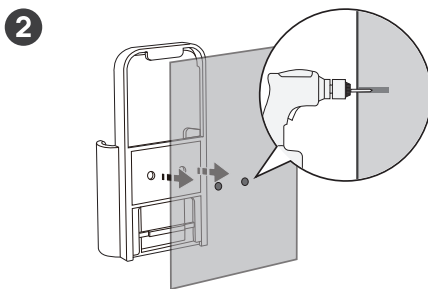
Store your remote control.



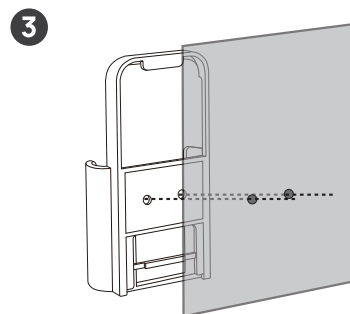
Option 2:



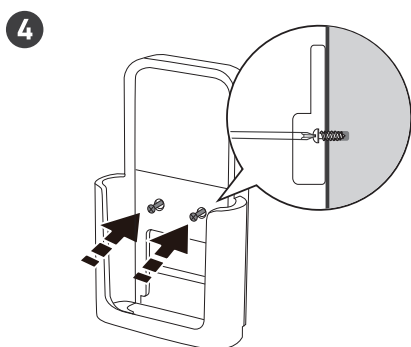
Slide the backboard downward to remove it.



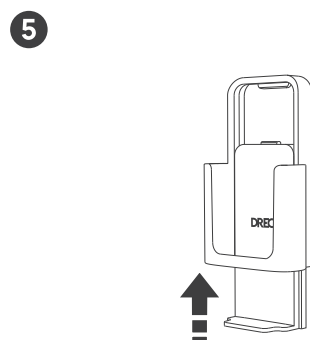
Use the two holes on the holder as a guide to drill two corresponding holes in the flat wall.



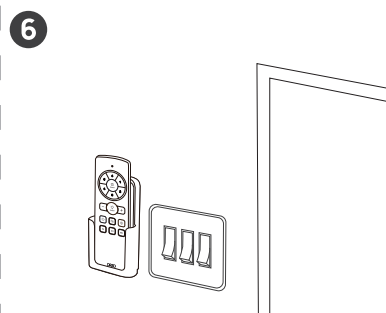
Align the two holes on the holder with the two holes on the wall.



Insert the two screws into the holes and tighten them using a screwdriver.



Slide the backboard upward to reposition it.



Store your remote control.

Additional Features



Memory

If the fan is turned OFF or disconnected from power, it will operate under the previous settings (except the timer setting) when it is turned ON again.




Timer

When the ceiling fan is ON/OFF, touch the timer button **1H** **4H** **8H** on the remote control to set a timer (1H, 4H, 8H).
When the timer ends, the ceiling fan will stop/start running automatically.



Mute

Press the mute button  on the remote control to turn on/off button sounds.



Night Light Mode

Long press the color temperature button .

CONNECTING YOUR CEILING FAN

10

This device includes the radio transmitting module whose CMIIT ID is FCC ID: 2A3SYCF001S.



Before connecting the appliance to your mobile device, please scan the QR code on the left or go to the app store and search “**Dreo**”, then select and download the app.





Look for “ CLF521S” when connecting your new ceiling fan.





You can use the Dreo app to connect your ceiling fan to **Amazon Alexa** or **Google Home**.

Please follow the in-app instructions to set up your voice assistant.

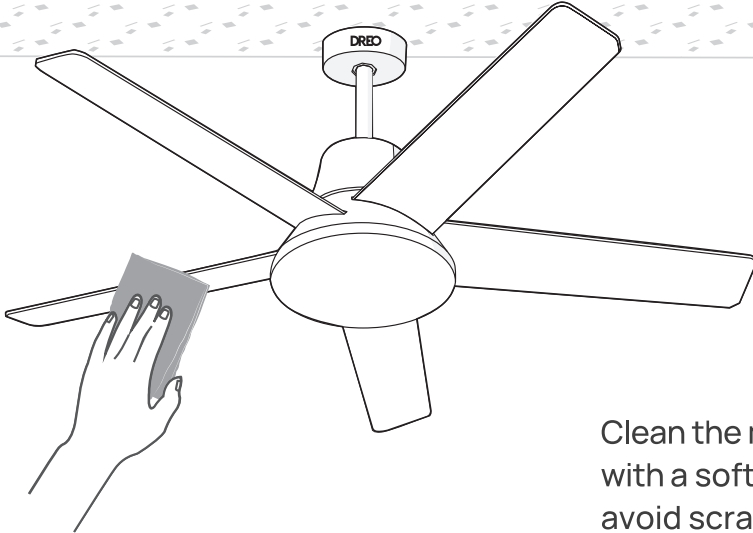
NOTE: You must create a Dreo account to access voice assistants.

- 1 Launch Dreo and sign in or create account by following in-app instructions.
- 2 Enable Bluetooth on your mobile device and plug in your tower fan.
- 3 Hold the light power button  and color temperature button  on remote control for 3 seconds to start WiFi connection.
(The ceiling fan light will dim intermittently during the pairing process.)
- 4 Tap + **Add Device** and select **CLF521S**.
- 5 Follow in-app instructions to complete WiFi connection.
- 6 You're now ready to control the appliance on your app.

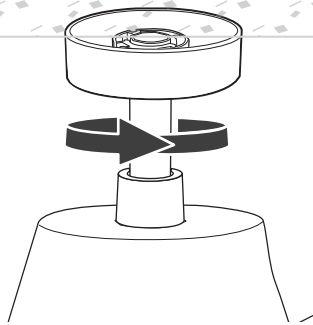
To restart network setup, hold the light power button  and color temperature button  again for 3 seconds.

CLEANING AND MAINTENANCE

11



Clean the motor housing and blades with a soft brush or lint-free cloth to avoid scratching the finish.



At least twice each year, lower the canopy to check the downrod assembly and tighten all screws on the fan.



- Shut off the main power supply before you begin any maintenance task.
- **DO NOT** use water or a damp cloth to clean the fan.
- Cleaning products may damage the finishes.

Problem	Solution
Fan Doesn't Work	<ul style="list-style-type: none">• Make sure the power switch is on.• Check the circuit breaker to ensure the power is turned on.• Make sure the blades spin freely.• Turn off power from the circuit breaker, then loosen the canopy and check all the connections according to the wiring diagram.
Excessive Wobbling	<ul style="list-style-type: none">• Make sure the blades are properly installed on the blade iron posts.• Turn the power off, support the fan carefully, and check that the hanger ball is properly seated.
Remote Control of Fan is Erratic	<ul style="list-style-type: none">• Make sure the battery is installed correctly. Install a fresh battery.
Remote Only Works Close to Fan	<ul style="list-style-type: none">• Change battery
Noisy Operation	<ul style="list-style-type: none">• Make sure the blades are properly installed.• Check to see if any of the blades are cracked. If so, replace all of the blades.

If your problem is not listed or still persists, please contact our Customer Support (see page 17)

Default 12-Month Warranty

This appliance is covered by Dreco warranty for 12 months from the date of its original purchase.

Extend Your Warranty

Extend your warranty by registering your new appliance on our website <https://dreco.com/warranty>.

The warranty will not apply in cases of:

- Accident, misuse, or repairs performed by unauthorized personnel.
- Any unit that has been tampered with or used for commercial purposes.
- Normal wear and tear of wearable parts.
- Use of force, damage caused by external influences.
- Damage caused by non-observance of the User Manual, e.g. connection to an unsuitable mains supply or noncompliance with the instructions.
- Partially or completely dismantled appliances.
- Defects caused by or resulting from damages from shipping or from repairs, service, or alteration to the product or any of its parts that have been performed by a repair person not authorized by DREO.

We can only provide after-sales service for products that are sold by DREO or DREO authorized retailers and distributors. If you have purchased your unit from a different place, please contact your seller for return and warranty issues.

FCC STATEMENT

This device complies with Part 15 of the FCC Rules.

This equipment has been tested and found to comply with the limits for a Class B digital device, pursuant to Part 15 of the FCC Rules. These limits are designed to provide reasonable protection against harmful interference in a residential installation. This equipment generates, uses and can radiate radio frequency energy and, if not installed and used in accordance with the instructions, may cause harmful interference to radio communications. However, there is no guarantee that interference will not occur in a particular installation. Please note that changes or modifications of this product is not expressly approved by the party responsible for compliance could void the user's authority to operate the equipment. If this equipment does cause harmful interference to radio or television reception, which can be determined by turning the equipment off and on, the user is encouraged to try to correct the interference by one or more of the following measures:

- Reorient or relocate the receiving antenna.
- Increase the separation between the equipment and receiver.
- Connect the equipment into an outlet on a circuit different from that to which the receiver is connected.
- Consult the dealer or an experienced radio/TV technician for help.

Any changes or modifications not expressly approved by the party responsible for compliance could void the user's authority to operate the equipment. This device complies with Part 15 of the FCC Rules. Operation is subject to the following two conditions: (1) this device may not cause harmful interference, and(2) this device must accept any interference received, including interference that may cause undesired operation.

Model No.: DR-HCF001S
Rev_1.1_EN

We're Here to Help!

 (888) 290-1688 Mon - Fri, 9:00 am-5:00 pm PST/PDT

 support@dreco.com

 www.dreco.com

 Shenzhen Hesung Innovation Technology Co., LTD

 26F, Bldg A7, Creative City, Shenzhen, China



MADE IN CHINA



Intertek
5017816

www.dreo.com

Looking for help?

Contact us to get expert support.



support@dreo.com



[\(888\) 290-1688](tel:(888)290-1688)



www.dreo.com

Mon-Fri, 9:00 am-5:00 pm PST/PDT