



Portable Wireless Speaker



WIRELESS SPEAKER INSTRUCTIONS



Technical Specifications:

Name: Portable wireless speaker
 Waterproof: IPX5
 Speaker: 4Ω 10W
 Wireless standard: 5.0
 Transmission distance: 10M
 Frequency effect: 80hz · 20khz
 Playback time: 4-6 hours
 Charging voltage: 5V === 500mA
 Battery type: 3.7V 1800mAh
 Charge time: 4h for fully charged

Features:

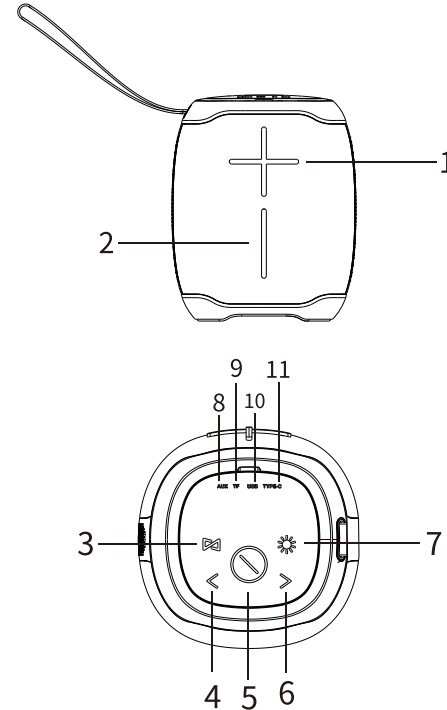
1. Wireless connection
2. Memory function, breakpoint resuming
3. Support U disk / TF card / AUX playback mode
4. Built-in lithium ion battery
5. Support MP3 music format decoding
6. Using high-fidelity speakers, the sound is more natural and delicate
7. Level 5 waterproof
8. 1+1 device serial connection function

Wireless Speaker



Button instruction:

- 1.Button "+"**
Volume up
- 2.Button "-"**
Volume down
- 3.Tandem Key**
Single click: Interconnection/Exit interconnection
Long press: switch playback mode (radio mode unavailable for current version)
In bluetooth mode: Double-click to call back/short press to answer/hang up a call
- 4.Button "<"**
Previous track
- 5.Power Button**
Long press about 3s to power on/off
Single click: play/pause music
- 6.Button ">"**
Next track
- 7.Light Button**
Single click: switch the light mode
Double click: disconnect/reconnect bluetooth
Long press: turn the light on/off
- 8.AUX Jack:** standard 3.5mm headphone jack
- 9.TF Port:** when a TF card inserted, the default playback mode will be TF card
- 10.USB Port:** when a U disk inserted, the default playback mode will be U disk
- 11.Type-C:** Speaker charging



button indication section view

Wireless Speaker



Wireless Speaker

Directions for use:

- 1.Bluetooth pairing**
 - 1.1. Please don't insert TF card, U disk or AUX cable before you turn it on, otherwise the default playback mode is not bluetooth.
 - 1.2. Activate bluetooth on your device, find and choose "V12S Pro" to connect. You will hear a prompt tone when connection done. Now the music adventure begins.
- 2.Voice Prompt**
 - 2.1. There is a voice prompt when turned on/off
 - 2.2. There is a voice prompt when the volume increased to the maximum.
 - 2.3. 3-times voice prompt and then the speaker shut down automatically after detecting the low power.
- 3.Mode Switching**
 - 3.1. It enters the wireless mode by default when turned on. Mode switching sequence: Bluetooth - TF card - USB mode - AUX mode
- 4.Play Indicator**
 - 4.1. Powered on and stand by: white light flashes quickly, about 0.5s/time.
 - 4.2. Playing Status: the white light flashes about 0.7s/time.
- 5.Charging Indicator**
Red light on when charging, red light off after fully charged.
6. If no working status, the speaker will shut down automatically after 15 minutes. The playtime up to 7hrs varies from volume and play modes.



Wireless Speaker

Precautions:

Please fully charge the product before the first use.
 Do not disassemble or repair this product for any reason, otherwise it may cause fire, electronic breakdown or even completely damage.
 Do not soak the product in liquid for long time even it is waterproof.
 If the charging is finished, please disconnect the charger from the device and unplug the charger. For continuous charging time, please no more than 8 hours.
 Please do not dispose of the battery in the old household garbage. Improper disposal may lead to battery failure. In case of fire or explosion, please comply with local regulations to handle this product, battery and other accessories.
 It is forbidden to disassemble, impact, squeeze or put the battery into the fire. In case of serious expansion, please do not continue to use it.
 Do not repair this product by yourself.

Warranty Service:

You are ensured to have our best after-sales service.
 Any quality problems of the products within 12 months from the date of purchase. Please emails (pk9990@163.com) to Sanag Customer Service Team and we will provide a solution within 24 hours.



Wireless Speaker

This device complies with part 15 of the FCC Rules. Operation is subject to the following two conditions:
 (1) This device may not cause harmful interference, and
 (2) This device must accept any interference received, including interference that may cause undesired operation.
 Any Changes or modifications not expressly approved by the party responsible for compliance could void the user's authority to operate the equipment.
Note: This equipment has been tested and found to comply with the limits for a Class B digital device, pursuant to part 15 of the FCC Rules. These limits are designed to provide reasonable protection against harmful interference in a residential installation. This equipment generates uses and can radiate radio frequency energy and, if not installed and used in accordance with the instructions, may cause harmful interference to radio communications. However, there is no guarantee that interference will not occur in a particular installation. If this equipment does cause harmful interference to radio or television reception, which can be determined by turning the equipment off and on, the user is encouraged to try to correct the interference by one or more of the following measures:
 }-Reorient or relocate the receiving antenna.
 }-Increase the separation between the equipment and receiver.



Wireless Speaker

} -Connect the equipment into an outlet on a circuit different from that to which the receiver is connected.
 } -Consult the dealer or an experienced radio/TV technician for help.

RF warning:

This equipment complies with FCC radiation exposure limits set forth for an uncontrolled environment.