

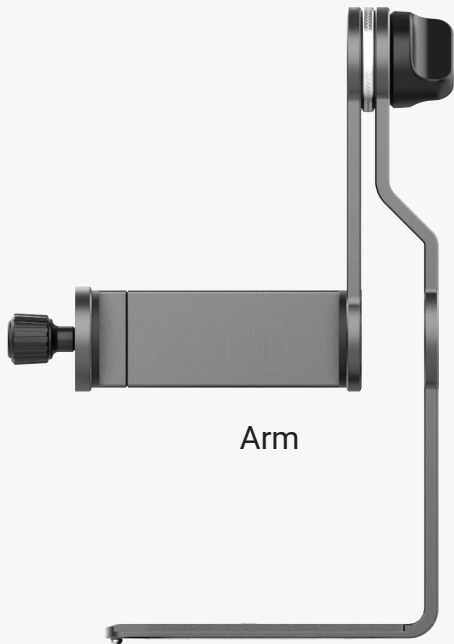


Matterport **AXIS**



Quick Start Guide

What's inside



Arm



Capture Remote

Magnetically connects to Arm

Base



USB-C
Charging cable

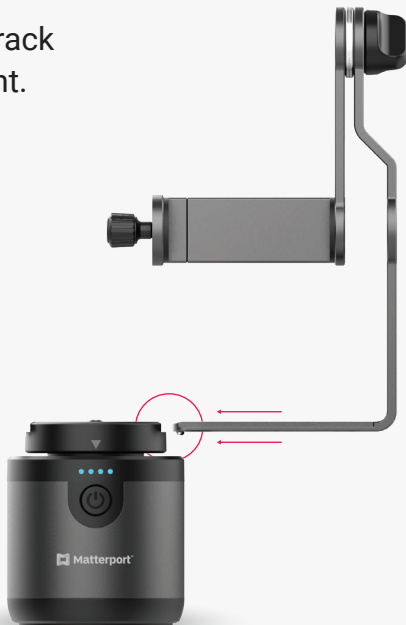
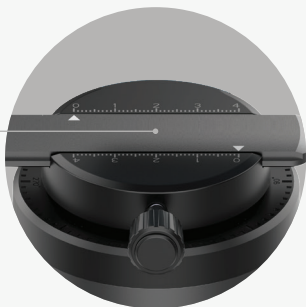


Assembly

- 1 Make sure the battery is fully charged before using the mount.



- 2 Insert the arm into the track on the base of the mount.



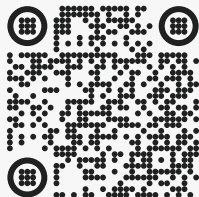
Assembly

3 Attach Axis to your tripod.



Connecting Axis to your phone

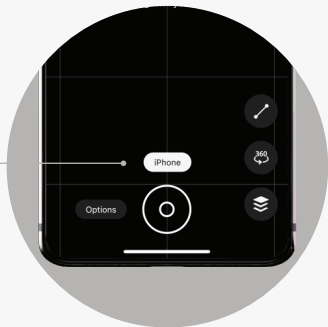
- 1 Download and open the Matterport Capture app.



- 2 Press the power button to turn on the mount.

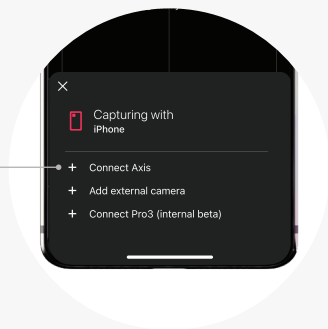


- 3 Tap the Select Source button in the app. It's just above the camera button.



Connecting Axis to your phone

- 4 Select “Connect Axis” to pair your phone to the mount with Bluetooth.



- 5 Follow the steps in the app to continue setting up your mount.

- 6 Place your phone in the mount.

- 7 Start capturing your space.

Contact us

We're here to help if you have any questions. To contact our customer support team, go to support.matterport.com.

FCC Statement

This device complies with Part 15 of the FCC rules. Operation is subject to the following two conditions: 1) this device may not cause harmful interference, and 2) this device must accept any interference received, including interference that may cause undesired operation.

Note: This equipment has been tested and found to comply with the limits for a Class B digital device, pursuant to part 15 of the FCC Rules. These limits are designed to provide reasonable protection against harmful interference in a residential installation. This equipment generates uses and can radiate radio frequency energy and, if not installed and used in accordance with the instructions, may cause harmful interference to radio communications. However, there is no guarantee that interference will not occur in particular installation. If this equipment does cause harmful interference to radio or television reception, which can be determined by turning the equipment off and on, the user is encouraged to try to correct the interference by one or more of the following measures:

- Reorient or relocate the receiving antenna.
- Increase the separation between the equipment and receiver.
- Connect the equipment into an outlet on a circuit different from that to which the receiver is connected.
- Consult the dealer or an experienced radio/TV technician for help.

Changes or modifications not expressly approved by the party responsible for compliance could void the user's authority to operate the equipment.

Radiation Exposure Statement

This device complies with RF radiation exposure limits set forth for an uncontrolled environment. This transmitter must not be co-located or operating in conjunction with any other antenna or transmitter.