

maintenance tips

- Vinyl records should be cleaned with anti-static cloth for maximum enjoyment
- Needle (or stylus) should be replaced every 250 hours or as soon as you notice a change in sound quality
- Dust the stylus from time to time with a very soft brush dipped in alcohol (brush from back to front of the cartridge)
- To avoid scratching or damaging your records, be sure to use the tonearm lever to raise and lower the tonearm

troubleshooting

- If the record player is not working make sure that the power cable is plugged into the power port and into a grounded wall outlet
- If the record sounds sped up or slowed down adjust the RPM switch
- If you're playing a 45 and having issues make sure that you're using the 45 adaptor
- If the turntable makes no sound make sure that it is turned on, the volume is up and the protective white stylus cover is removed
- If it still makes no sound make sure the correct mode is selected
- If you're using the Bluetooth out (BT out) function and there is no sound, be sure that you're following the steps in the proper order, or the turntable will not properly connect to the speaker
- If the turntable makes no sound or does not show as an available device, make sure it is in the correct mode and not paired, if it is paired, unpair and repair to the desired device
- If it makes no sound when using AUX in, make sure the turntable is in the correct mode and the cables are properly connected
- If it makes no sound using headphones make sure they are properly plugged in and the volume is turned up
- This turntable does not have a pairing code. If you are prompted for one make sure you are connecting to the correct device. If you are "forget" the device and repair it; if you are still prompted enter 0000.

Need some help?

Can't get it to pair? Have a question or comment?



Call us at: 877-698-4883 or: 877-mytgttech



Online at: targettechsupport.com

Safety

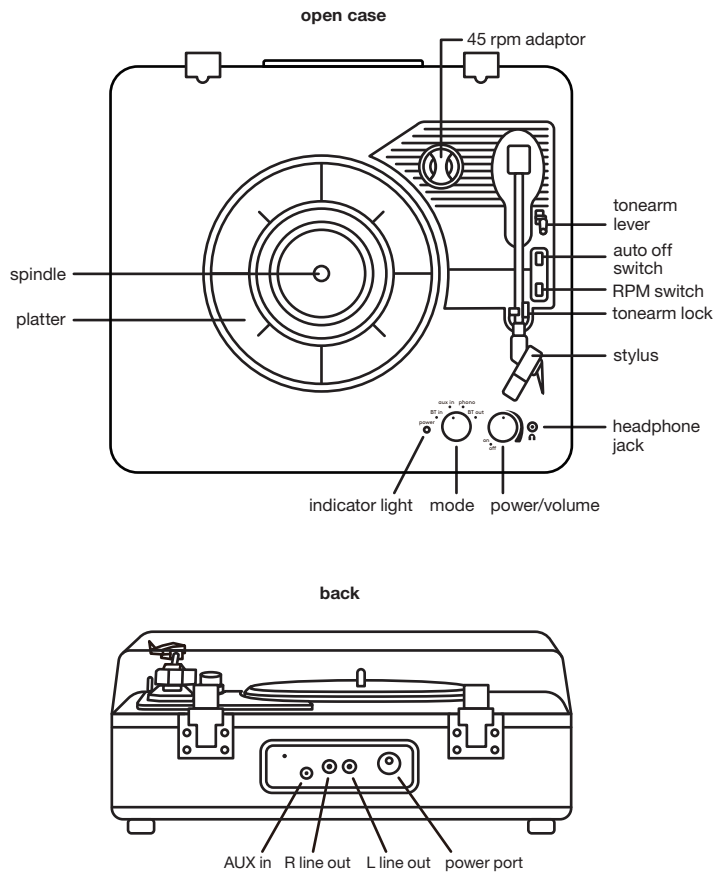
- do not use near any water source
- do not modify or repair this device
- do not use in high temperatures or extreme weather
- do not use chemical detergents to clean your device, use a soft dry cloth
- do not drop the product and do not expose it to any major shocks
- do not operate the product outside the power limits given in the specifications
- protect the product from dirt, moisture and overheating and use it in dry rooms only
- as with all electrical devices, this device should be kept out of the reach of children



Input: 5V/2.0A Max. AC/DC Adapter Input: 100-240V-50/60Hz-0.4A. Output: 5V/2.0A. Made in China
 This device complies with Part 15 of the FCC rules. Operation is subject to the following two conditions: 1) this device may not cause harmful interference, and 2) this device must accept any interference received, including interference that may cause undesired operation.
 Warning: Changes or modifications to this unit not expressly approved by the party responsible for compliance could void the user's authority to operate the equipment.
 NOTE: This equipment has been tested and found to comply with the limits for a Class B digital device, pursuant to Part 15 of the FCC Rules. These limits are designed to provide reasonable protection against harmful interference in a residential installation. This equipment generates, uses and can radiate radio frequency energy and, if not installed and used in accordance with the instructions, may cause harmful interference to radio communications.
 However, there is no guarantee that interference will not occur in a particular installation. If this equipment does cause harmful interference to radio or television reception, which can be determined by turning the equipment off and on, the user is encouraged to try to correct the interference by one or more of the following measures:
 • Reorient or relocate the receiving antenna.
 • Increase the separation between the equipment and receiver.
 • Connect the equipment into an outlet on a circuit different from that to which the receiver is connected.
 • Consult the dealer or an experienced radio/TV technician for help.
 • To maintain compliance with FCC's RF Exposure guidelines, this equipment should be installed and operated with minimum distance between 30cm the radiator and body. Use only the supplied antenna.
 • Target Corp. Mpls, MN, 55403 Phone: 1-877-304-6073

WITH MAGNOLIA
turntable

XR-636BP-8



included

- Turntable
- RPM adapter
- 5ft (1.5m) power adapter with cable
- 5ft (1.5m) RCA cable

indicators

- Flashing Red - Pairing with BT out mode
- Flashing Blue - Pairing with BT in mode
- Solid Red - Paired with BT out mode/Phono
- Solid Blue - Paired with BT in mode/Power On
- Solid Pink - Aux in
- No Light - Power off
- Ascending Tones - Power on
- Three Rapid Tones - Ready to pair/Searching/Disconnected
- Double Chime - Paired

back cover

front cover

set up

- Place the turntable onto a sturdy flat stable surface; anything that is regularly bumped or receives vibrations may cause the record to skip
- Plug the power cable into the power port on the back of the turntable
- Plug the opposite end of the power cable into a grounded wall outlet
- Remove the protective white cover from the stylus

playing a record (phono)

- Open the lid and place a record on the platter
- Power on the turntable and switch the mode dial to phono to use the built-in speakers
- Use the RPM switch to match the rotation of the platter to the size of record you will be listening to, be sure to use the 45 RPM adapter when playing a 45
- Release the tonearm lock and use the tonearm lever to raise the tonearm
- Slide the tonearm above the record, when you slide it over the plater will start to spin, use the tonearm lever to gently place the needle on the record
- While there is a record on the platter, be sure the turntable lid remains open

using a Bluetooth speaker (BT out)

- Open the case and place a record on the platter
- Make sure the turntable is powered off
- Put your Bluetooth speaker into pairing mode; make sure it is not connected to any other devices
- Power on the turntable, make sure the volume is not turned up too high
- Switch the mode dial to "BT out" the indicator light will start to flash red when it is ready to pair (note: turntable has a 33 ft Bluetooth range)
- The speaker and turntable will automatically pair after about 20 seconds
- Use the RPM switch to match the rotation of the platter to the size of record you will be listening to, be sure to use the 45 RPM adapter when playing a 45
- Release the tonearm lock and use the tonearm lever to raise the tonearm
- Slide the tonearm above the record, when you slide it over the plater will start to spin, use the tonearm lever to gently place the needle on the record
- While there is a record on the platter, be sure the turntable lid remains open

connecting to the turntable (BT in)

- Power on the turntable, make sure the volume is not turned up too high
- Switch the mode dial to "BT in" the indicator light will start to flash blue when it is ready to pair (note: turntable has a 33 ft Bluetooth range)
- Use the Bluetooth settings on your device to pair with "Hearth and Hand Turntable 01"
- When the connection is successful you will hear a chime and the indicator light will turn blue
- Turn up the volume dial on the turntable and use your device to play and control the audio that will play through the turntable speakers

RCA setup

- Open the lid and place a record on the platter
- Connect the included RCA cable into ports on the back of the turntable, and into your speakers (note: the red side is right and the white is left)
- Power on the turntable, make sure the volume is not turned up too high
- Switch the mode dial to "PHONO" the indicator light will be solid red
- Select the RPM, be sure to use the 45 RPM adapter when playing a 45
- Release the tonearm lock and use the tonearm lever to raise the tonearm
- Slide the tonearm above the record, when you slide it over the plater will start to spin, use the tonearm lever to gently place the needle on the record
- While there is a record on the platter, be sure the turntable lid remains open

AUX in

- Plug one end of the AUX cable into the back of the turntable and the other end into the device you would like to play from
- Switch the mode dial to "aux in" the indicator light will be solid pink
- Power on the turntable, make sure the volume is not turned up too high
- Once connected, use your device to play and control the audio that will play through the turntable speakers

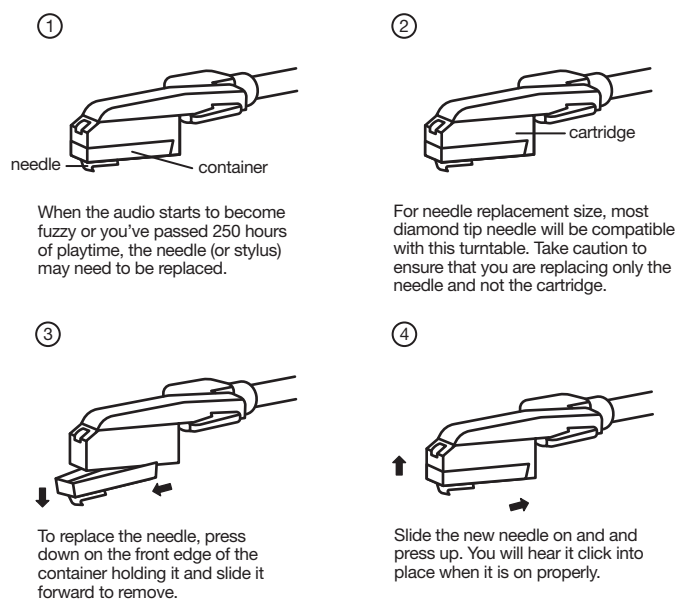
using headphones

- While listening to a record, plug in any set of headphones with a 3.5mm audio jack into the top of the turntable
- The turntable will automatically start to play through the headphones
- Use the volume dial to control the volume (note: be mindful of the cable length on the headphones while listening)

45 RPM adaptor

- 45's are smaller records with larger holes in the center of them and require the 45 RPM adaptor
- To play a 45, place the adaptor into the record you would like to play
- Place the record on the platter as you usually would
- Change the RPM switch to 45
- Release the tonearm lock and use the tonearm lever to raise the tonearm
- Slide the tonearm above the record, when you slide it over the plater will start to spin, use the tonearm lever to gently place the needle on the record
- While there is a record on the platter, be sure the turntable lid remains open

replacing the needle



resetting the belt

