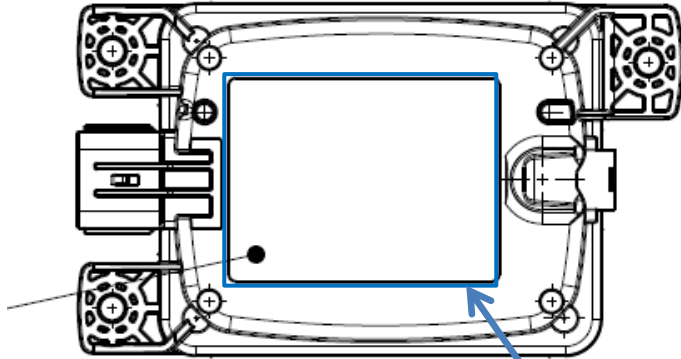


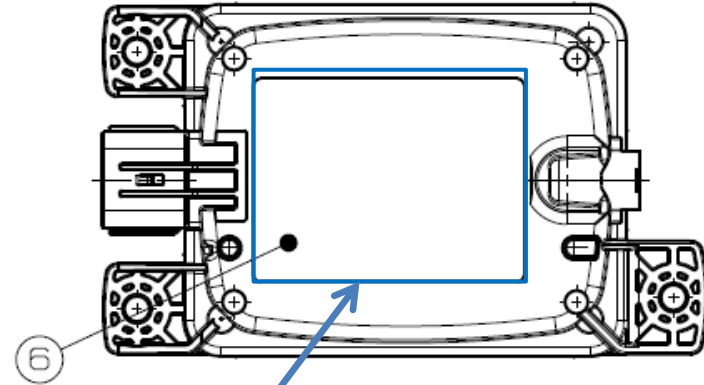
SRR Gen3 Label information



LH (MASTER)



RH (SLAVE)



	Made in Korea
HL Klemove <small>Company name & logo</small>	D10.011-037 (LOT No.) AB301A3411
Master LH	99140-K4010 <small>2D Barcode</small>
OS EV	H/W 1.00 S/W 1.00
	DMC <small>Model name</small>
IC: 27992-SRRGEN3 CMIIT ID: XXXXXXXXXX CNC ID: XXXXXX FCC ID: 2A30Z-SRRGEN3	HL Klemove Corp. Model: SRR Gen3 UA RF: XXXXXXXX XX-XXXXXXX Input 12V 0.4A

	Made in Korea
HL Klemove <small>Company name & logo</small>	D10.011-237 (LOT No.) AB302A3411
Slave RH	99150-K4010 <small>2D Barcode</small>
OS EV	H/W 1.00 S/W 1.00
	DMC <small>Model name</small>
IC: 27992-SRRGEN3 CMIIT ID: XXXXXXXXXX CNC ID: XXXXXX FCC ID: 2A30Z-SRRGEN3	HL Klemove Corp. Model: SRR Gen3 UA RF: XXXXXXXX XX-XXXXXXX Input 12V 0.4A