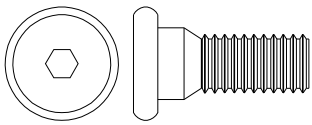


# Specifications

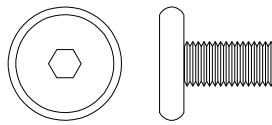
|                      |  |
|----------------------|--|
| Max. Weight Capacity | 110 lbs (50kg)                               |
| Speed                | 25mm/s                                       |
| Input Voltage        | 120-240 V                                    |
| Min. Height          | 29.5" (749mm)                                |
| Max. Height          | 47.2" (1200mm)                               |
| Duty Cycle           | 10% (Working 2 minutes then stop 18 minutes) |
| Certification        | FCC  |

# Accessory Package

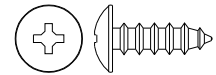
**PLEASE NOTE:** Check that you have received all components and hardware before assembling. If you are missing any parts, please contact us for replacement parts.



**A.** 3/4" Medium Machine Screw - 8



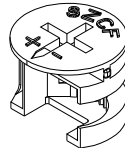
**B.** 1/2" Small Machine Screw - 10



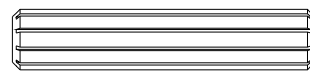
**C.** 9/16" Medium Wood Screw - 14



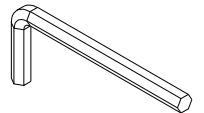
**D.** Double End Cam Lock Screw - 6



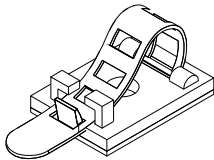
**E.** Cam Lock - 12



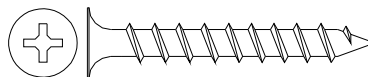
**F.** Wood Dowel - 16



**G.** Wrench - 1



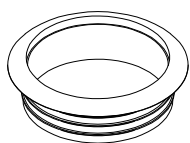
**H.** Self-adhesive Cable Strap - 3



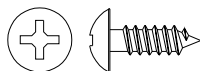
**I.** 1-1/2" Flat Head Screw - 18



**J.** Wood Dowel - 16



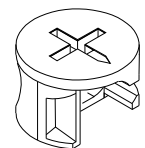
**K.** Grommet - 2



**L.** 1/2" Small Wood Screw - 5

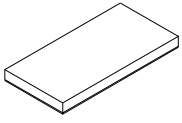


**M.** Cam Screw - 10

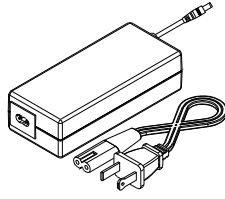


**N.** Hidden Cam - 10

# Accessory Package



**O.** Foam Tape - 12

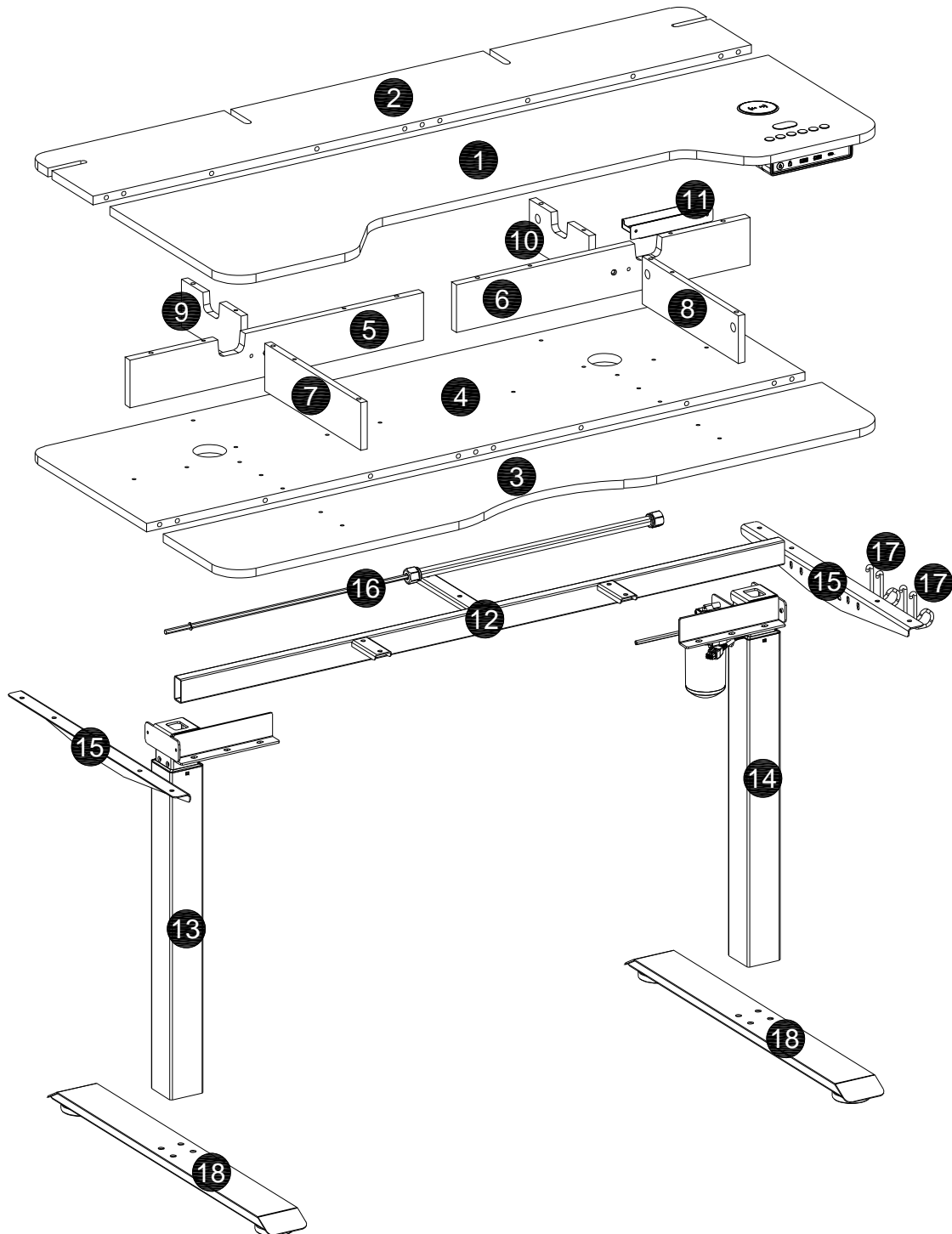


**P.** Power Adapter - 1

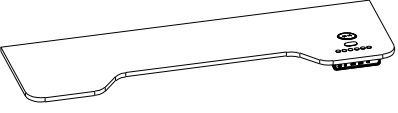
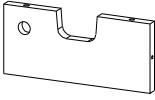
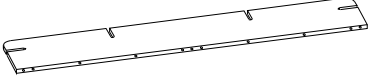
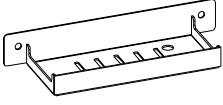


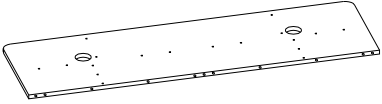
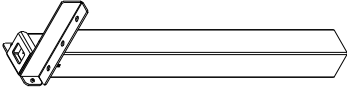
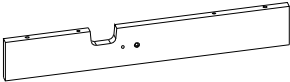
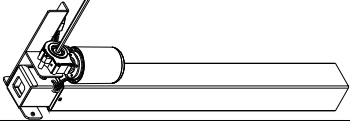
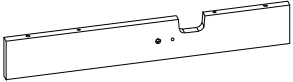
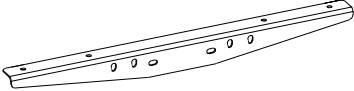
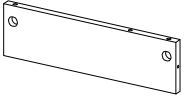
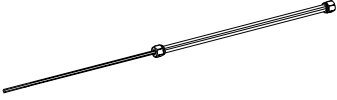
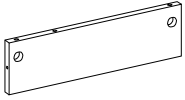

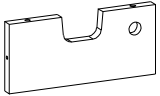
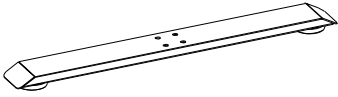


**Q.** Spanner - 1

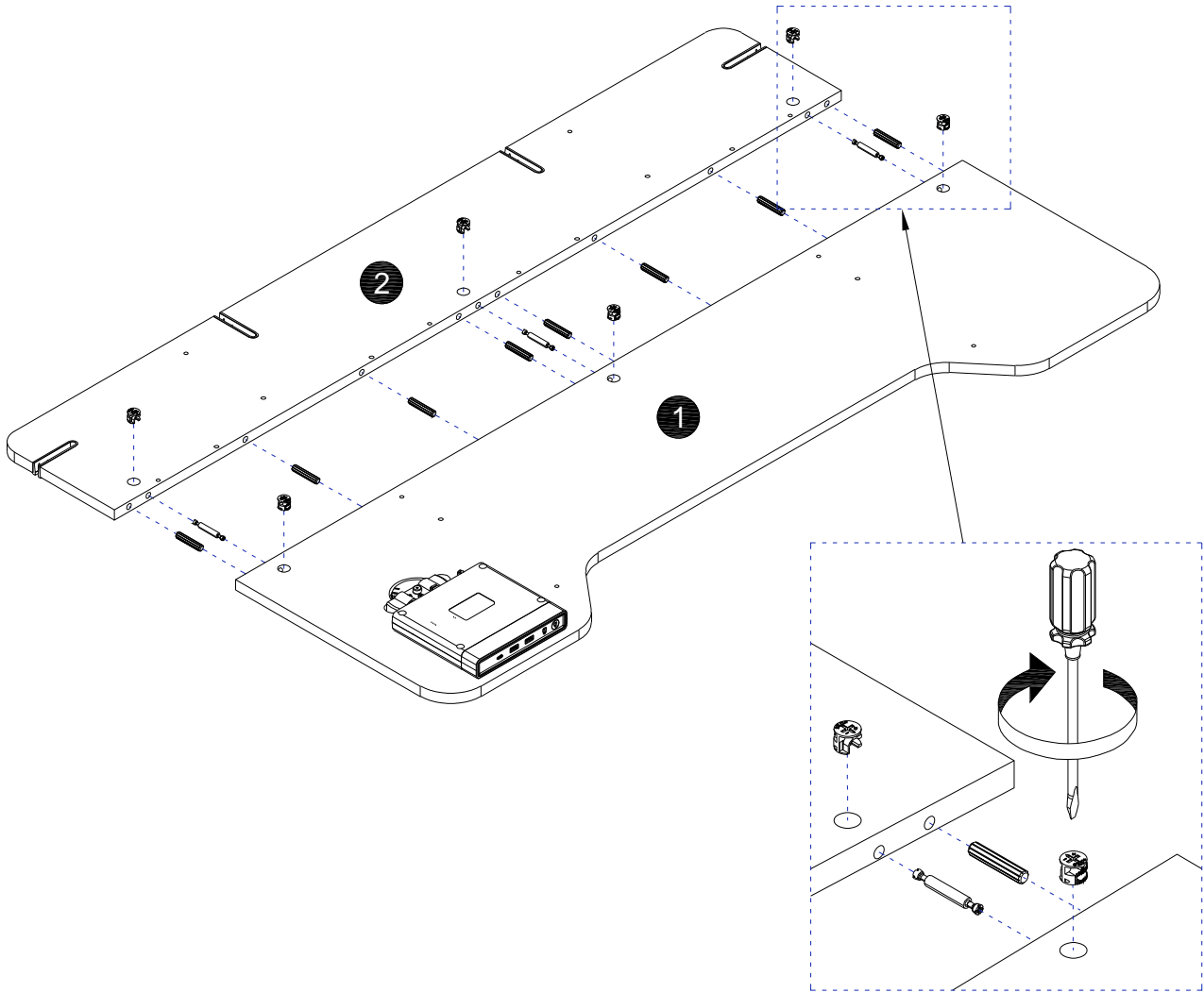
# Diagram of Components



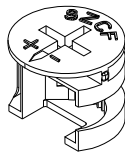
# Parts Included

| NO. | Parts  | Qty | NO. | Parts   | Qty |
|-----|--|-----|-----|---|-----|
| 1   | <br>Tabletop                    | 1   | 10  |    | 1   |
| 2   | <br>Tabletop                    | 1   | 11  |    | 1   |
| 3   | <br>Lower Tier Tabletop (Front) | 1   | 12  |     | 1   |
| 4   | <br>Lower Tier Tabletop (Back)  | 1   | 13  |     | 1   |
| 5   |                                | 1   | 14  |    | 1   |
| 6   |                               | 1   | 15  |   | 2   |
| 7   |                               | 1   | 16  |   | 1   |
| 8   |                               | 1   | 17  |  | 2   |
| 9   |                               | 1   | 18  |   | 2   |

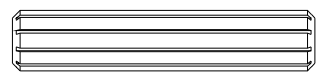
# STEP 1



**D.**Double End Cam Lock Screw - 3

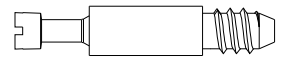
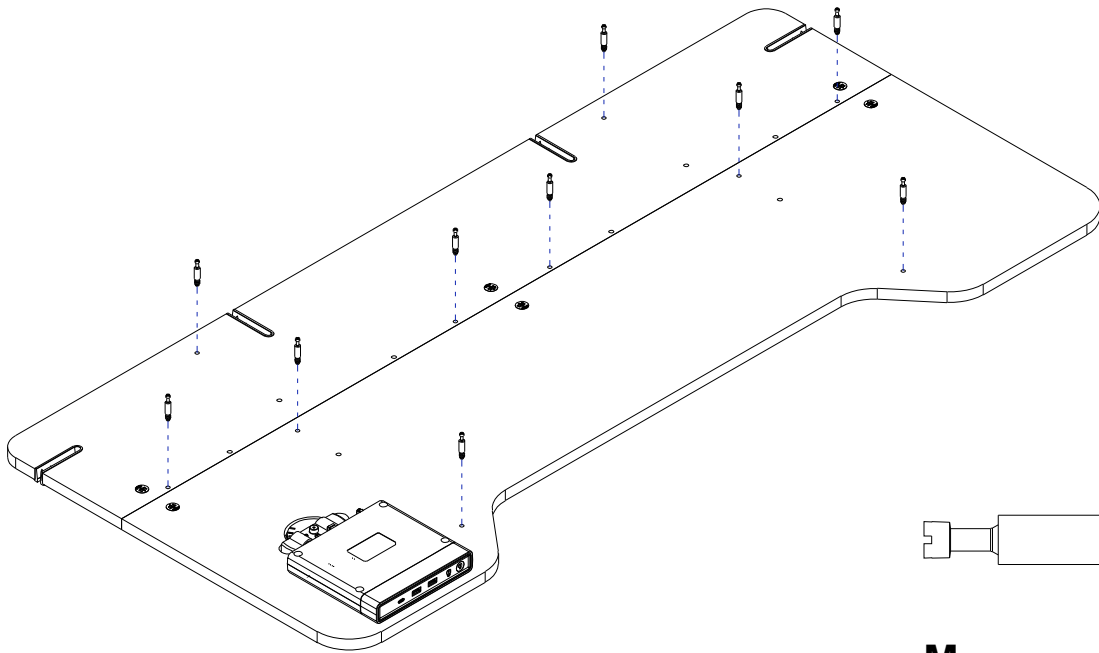


**E.**Cam Lock - 6

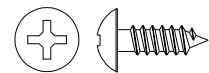
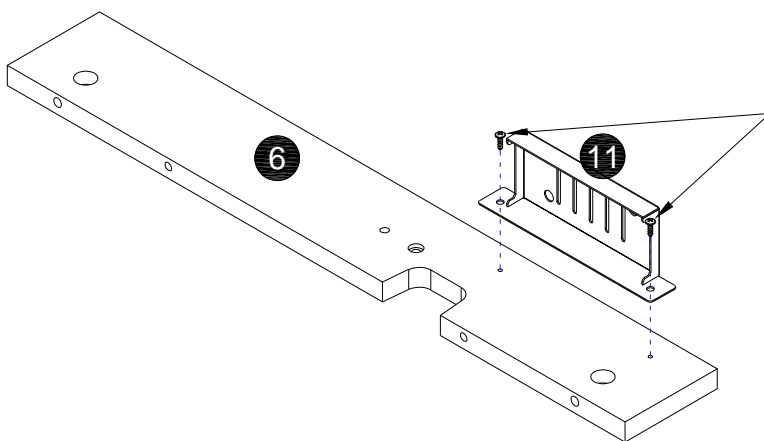


**F.**Wood Dowel - 8

# STEP 2

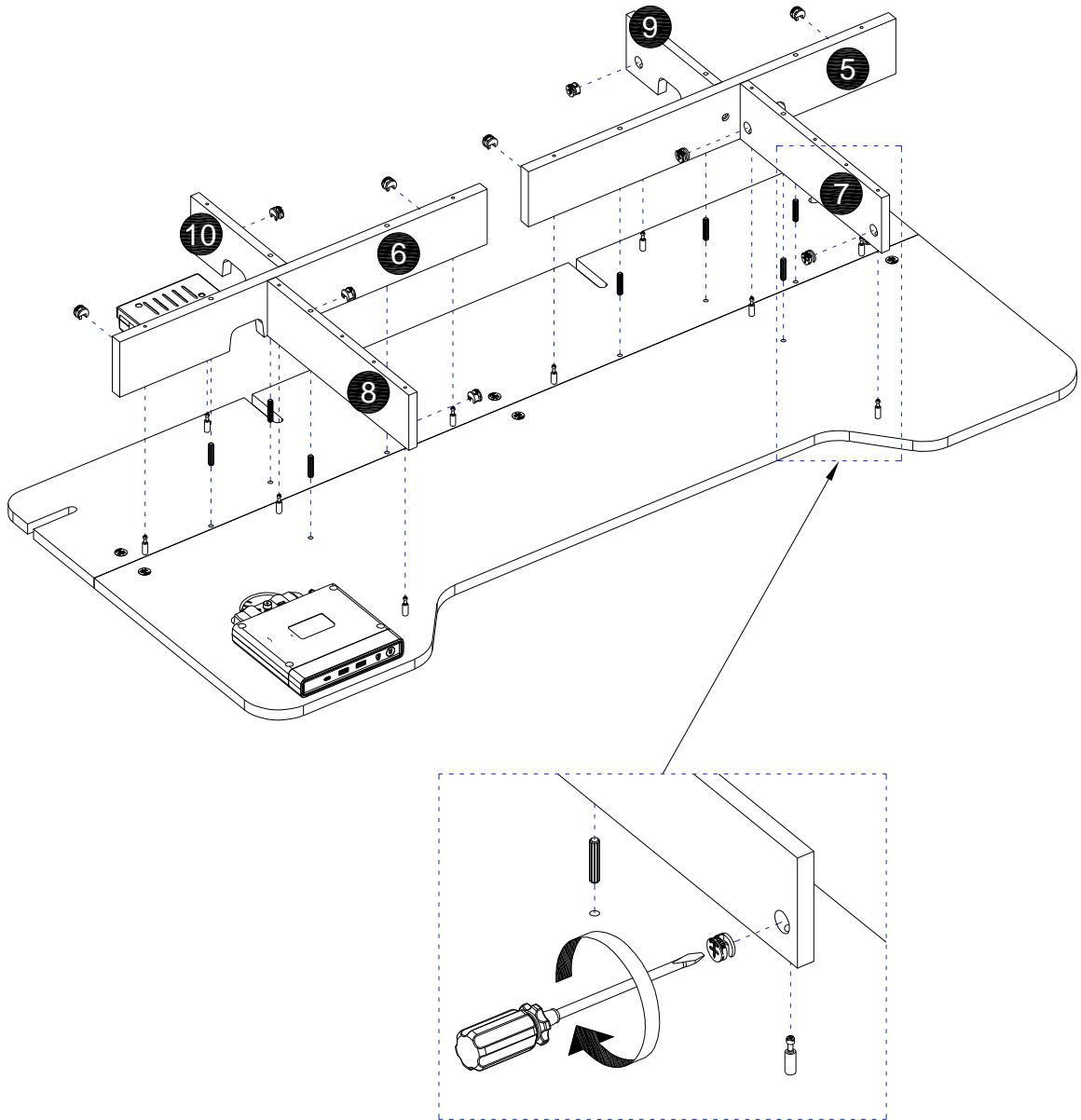


**M.CAM SCREW- 10**

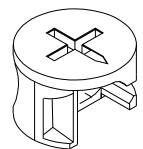


**L. 1/2" Small Wood Screw - 2**

# STEP 3

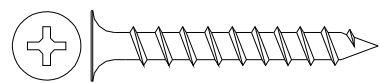
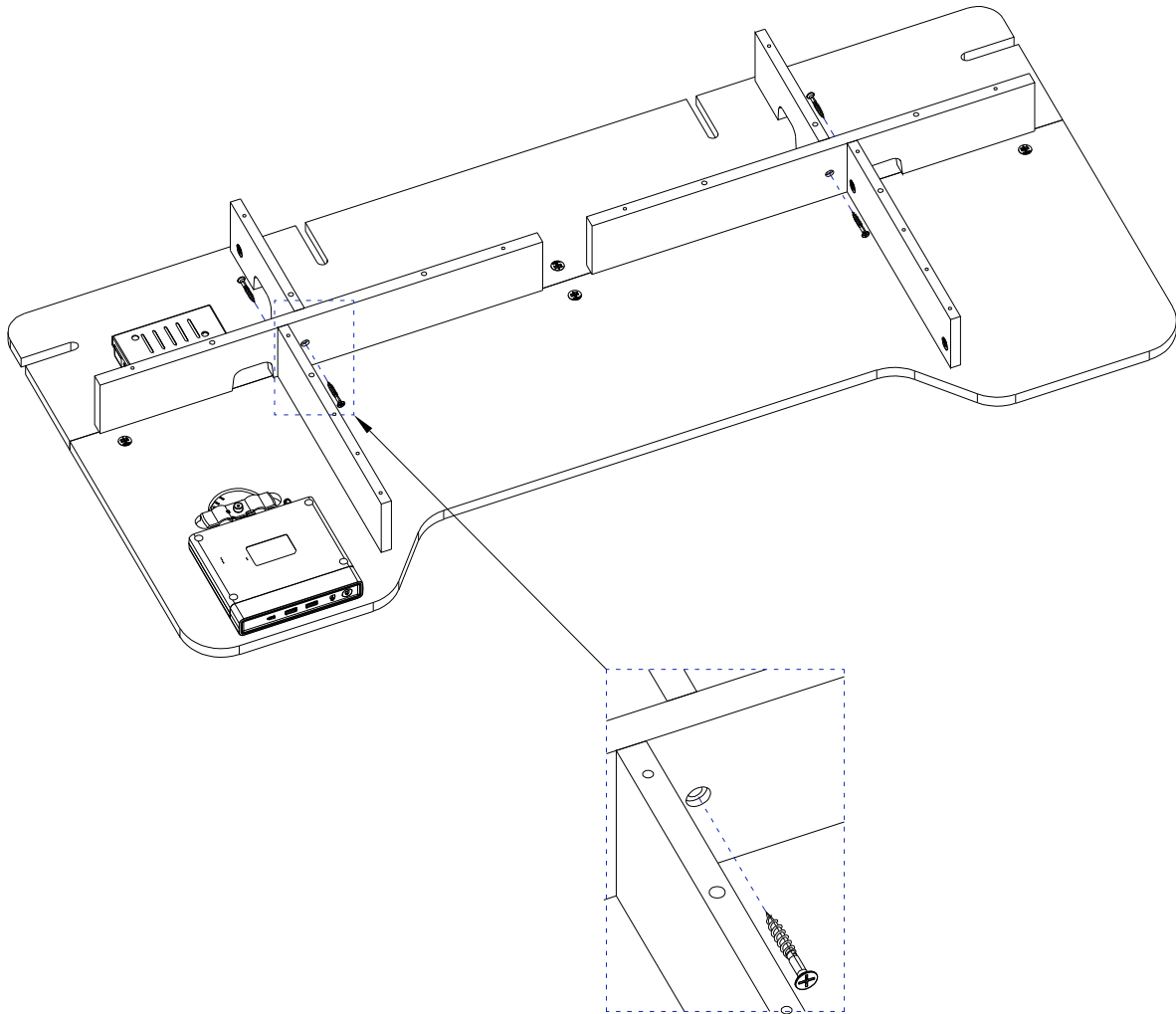


**J.** Wood Dowel - 8



**N.** Hidden Cam - 10

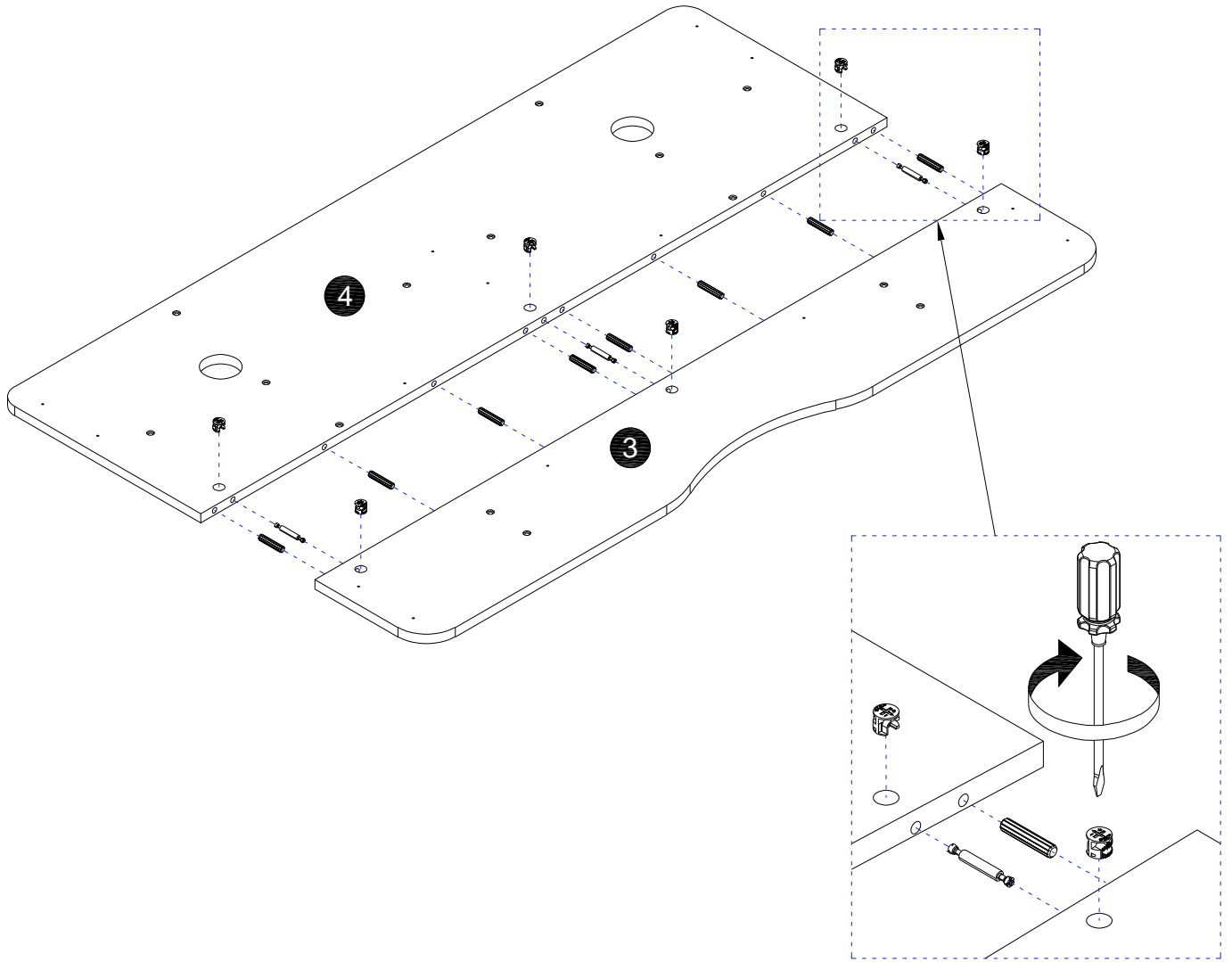
# STEP 4



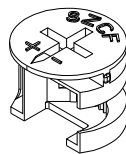
1.1-1/2" Flat Head Screw- 4



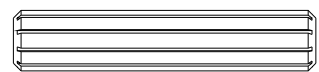
# STEP 5



**D.**Double End Cam Lock Screw - 3




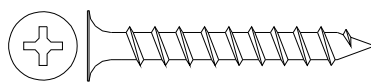
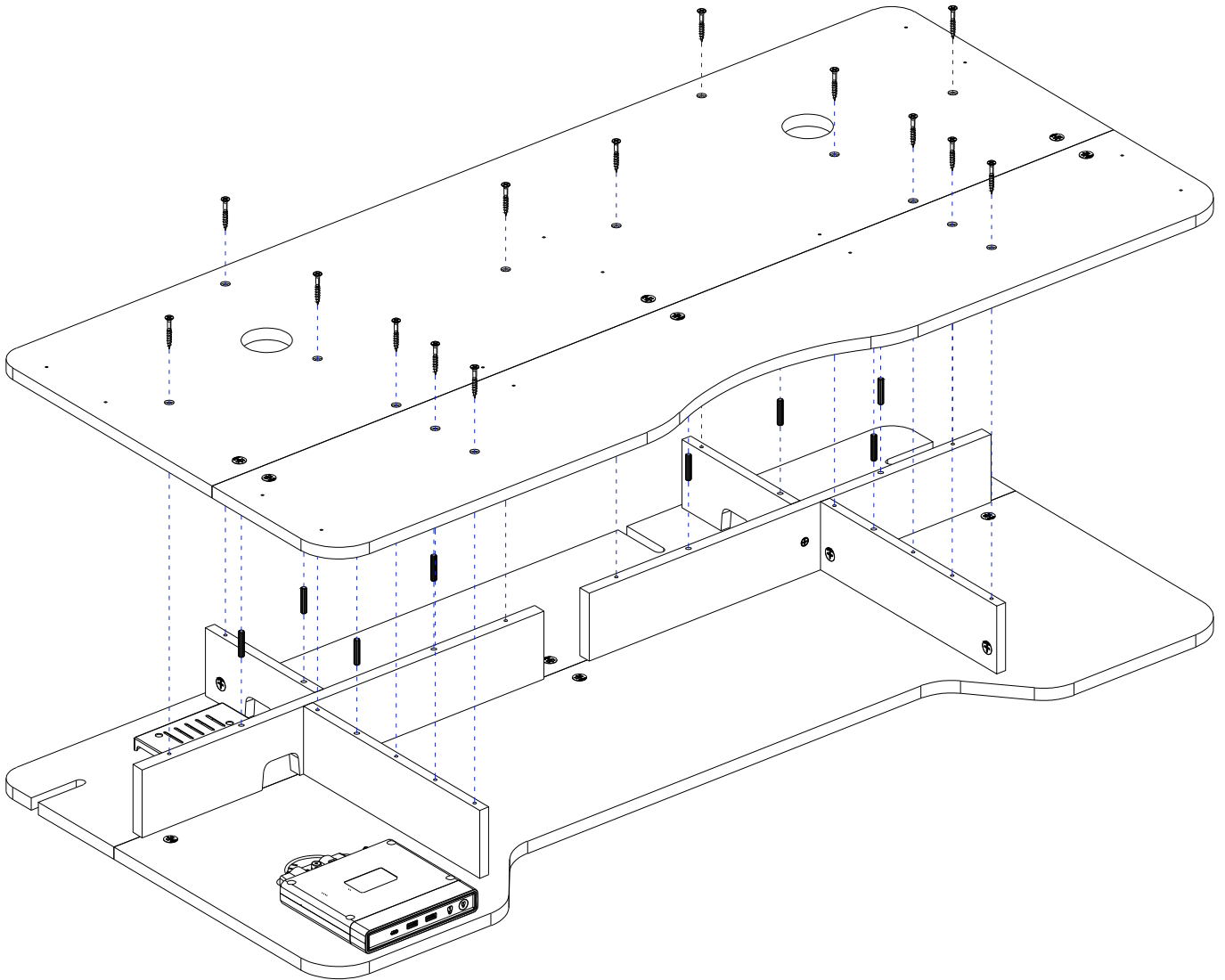
**E.**Cam Lock - 6



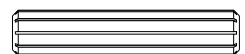
**F.**Wood Dowel - 8

# STEP 6

 Before tighten all the screws , be sure check whether the hole is consistent with the corresponding position on the manual.

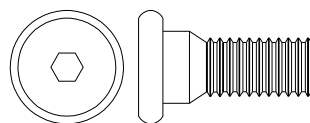
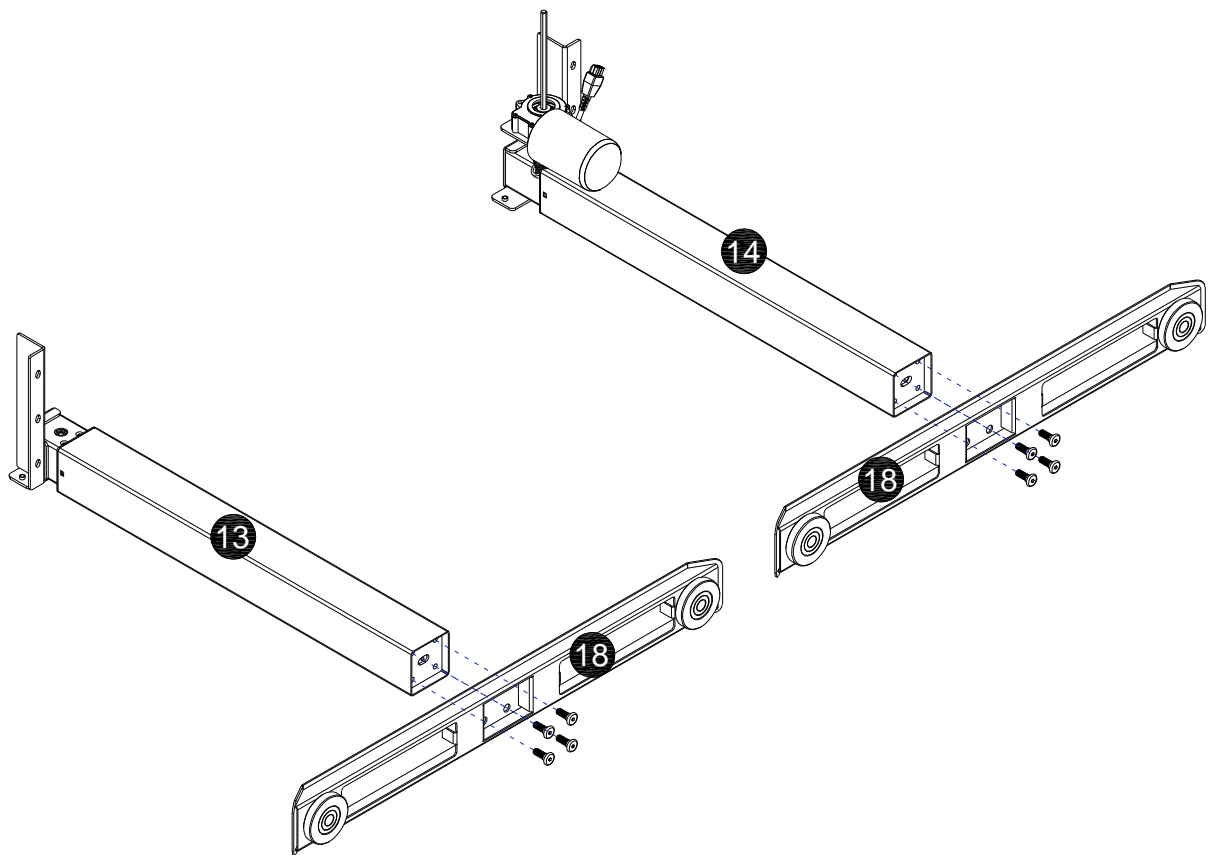


**I.** 1-1/2" Flat Head Screw - 14

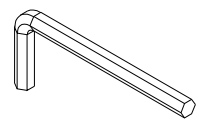


**J.** Wood Dowel - 8

# STEP 7

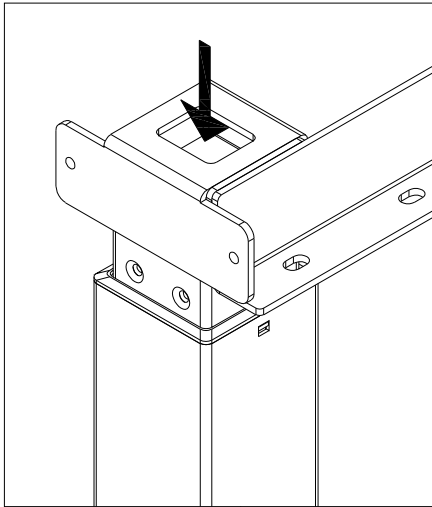


**A.** 3/4" Medium Machine Screw - 8

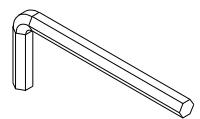
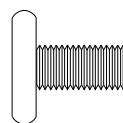
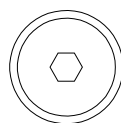
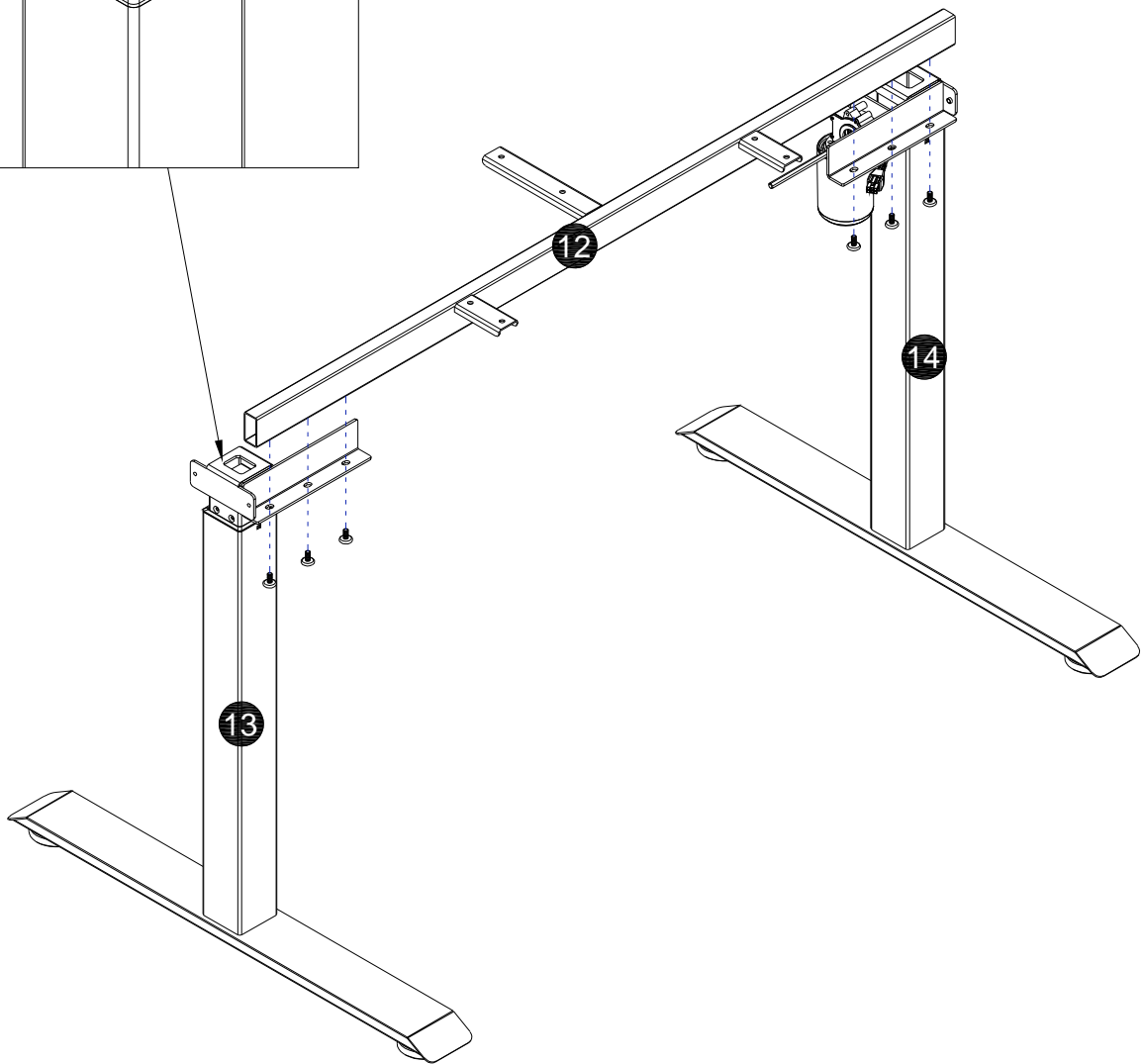


**G.** Wrench - 1

# STEP 8



Before installing part 12, press the metal bar all the way down.

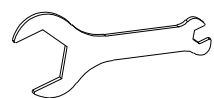
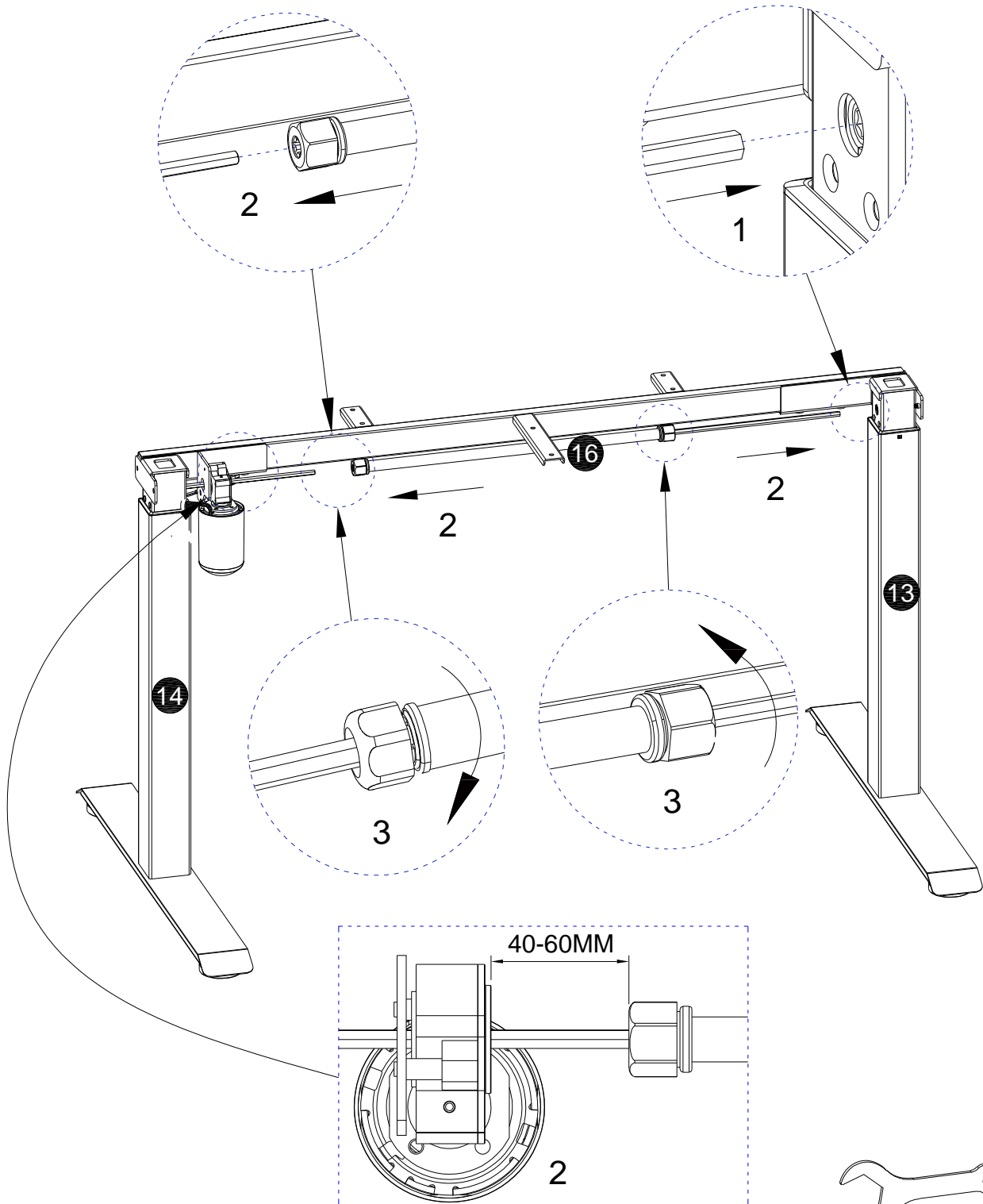


**B.** 1/2" Small Machine Screw - 6

**G.** Wrench - 1

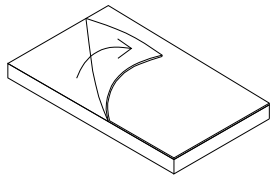
## STEP 9

1. Expand the rod's length to the end.
2. Expand the rod's length to the marked location, make sure to leave a gap in between the nut and metal rod around 40-60mm.
3. Tighten by twisting both screw nuts.

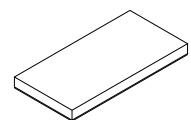
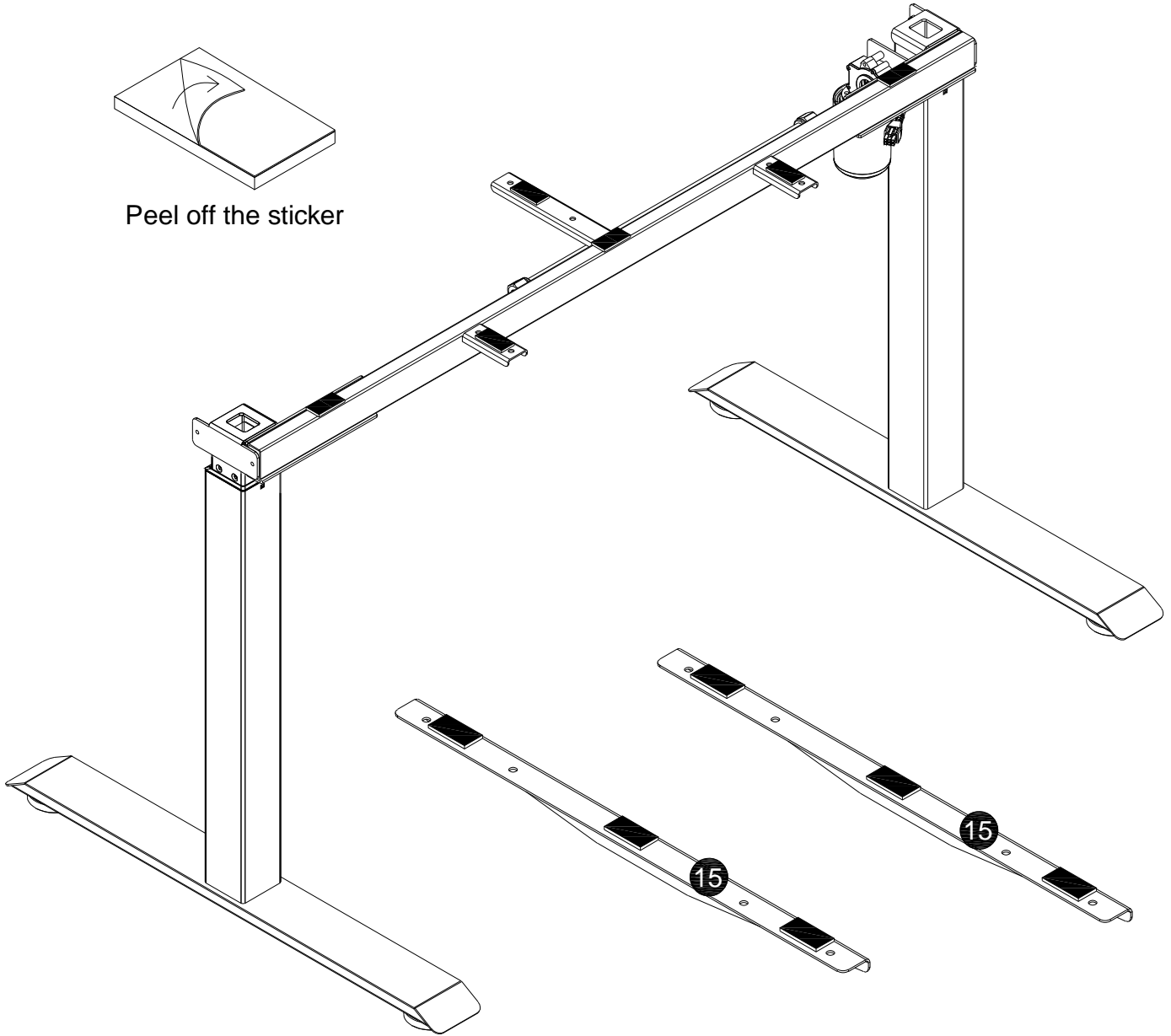


Q.Spanner - 1

# STEP 10




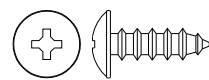
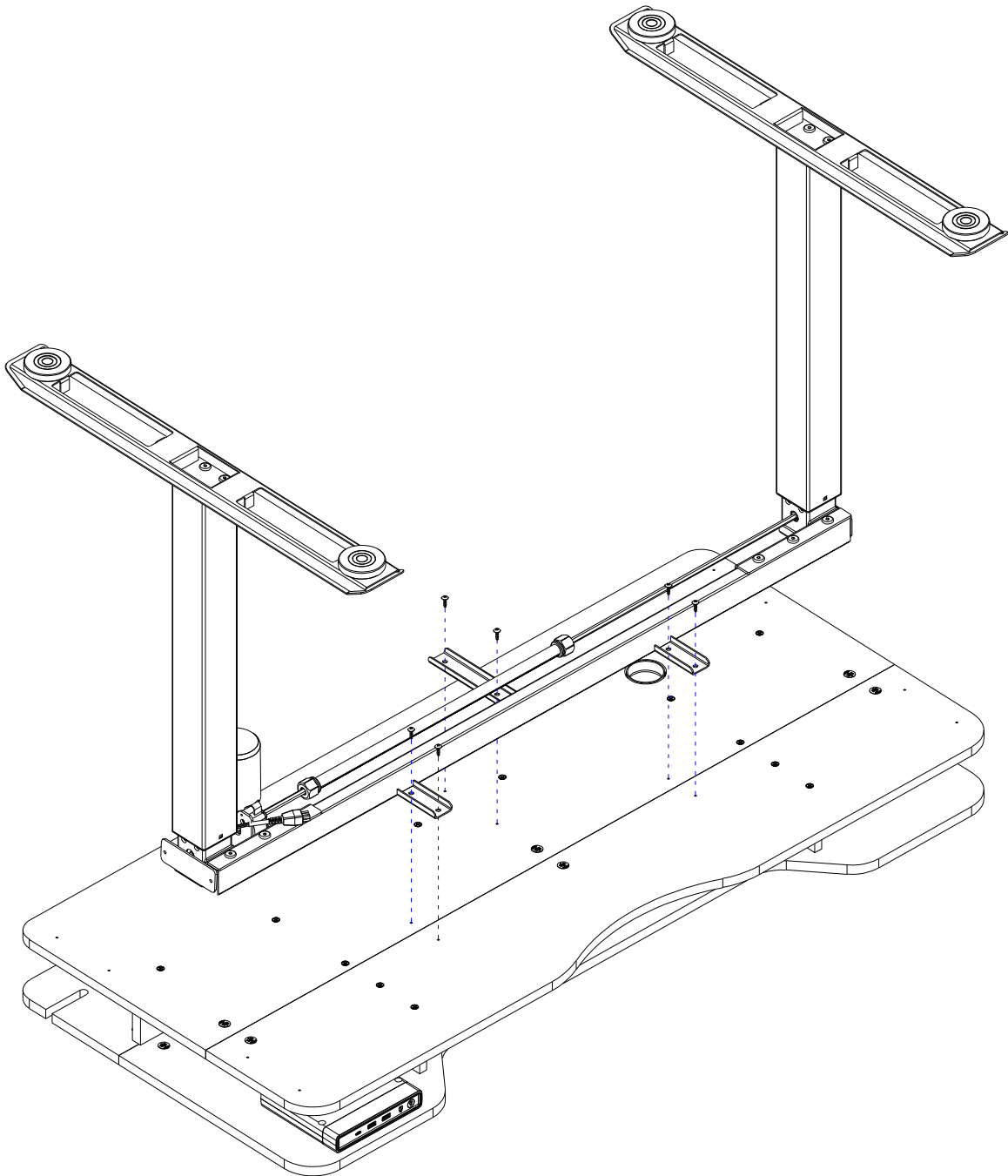
Peel off the sticker



**O**.Foam Tape- 12


# STEP 11

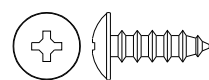
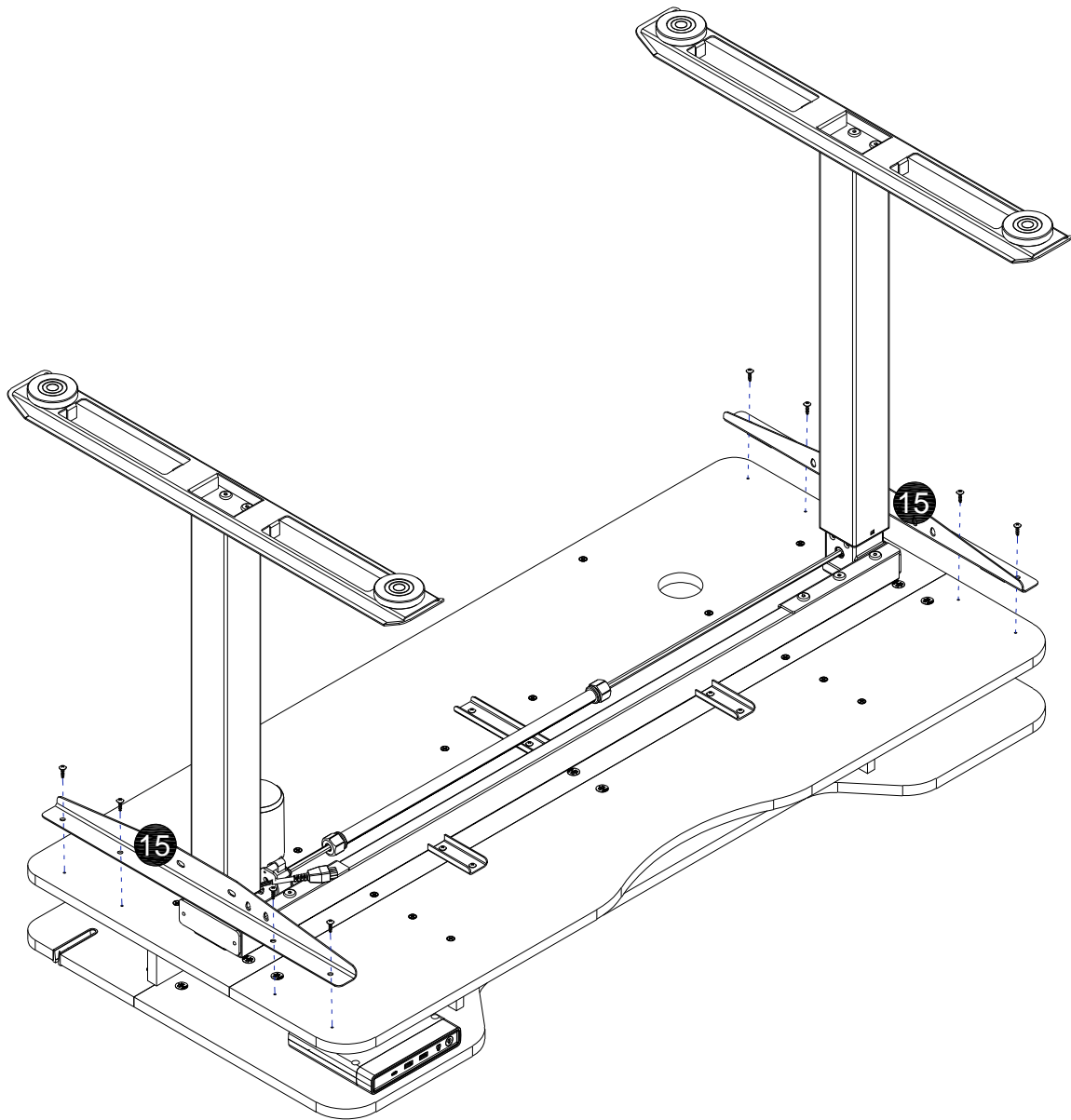
 Before tighten all the screws , be sure check whether the hole is consistent with the corresponding position on the manual.



**C**.9/16" Medium Wood Screw - 6

# STEP 12

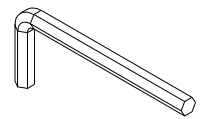
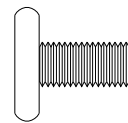
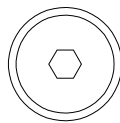
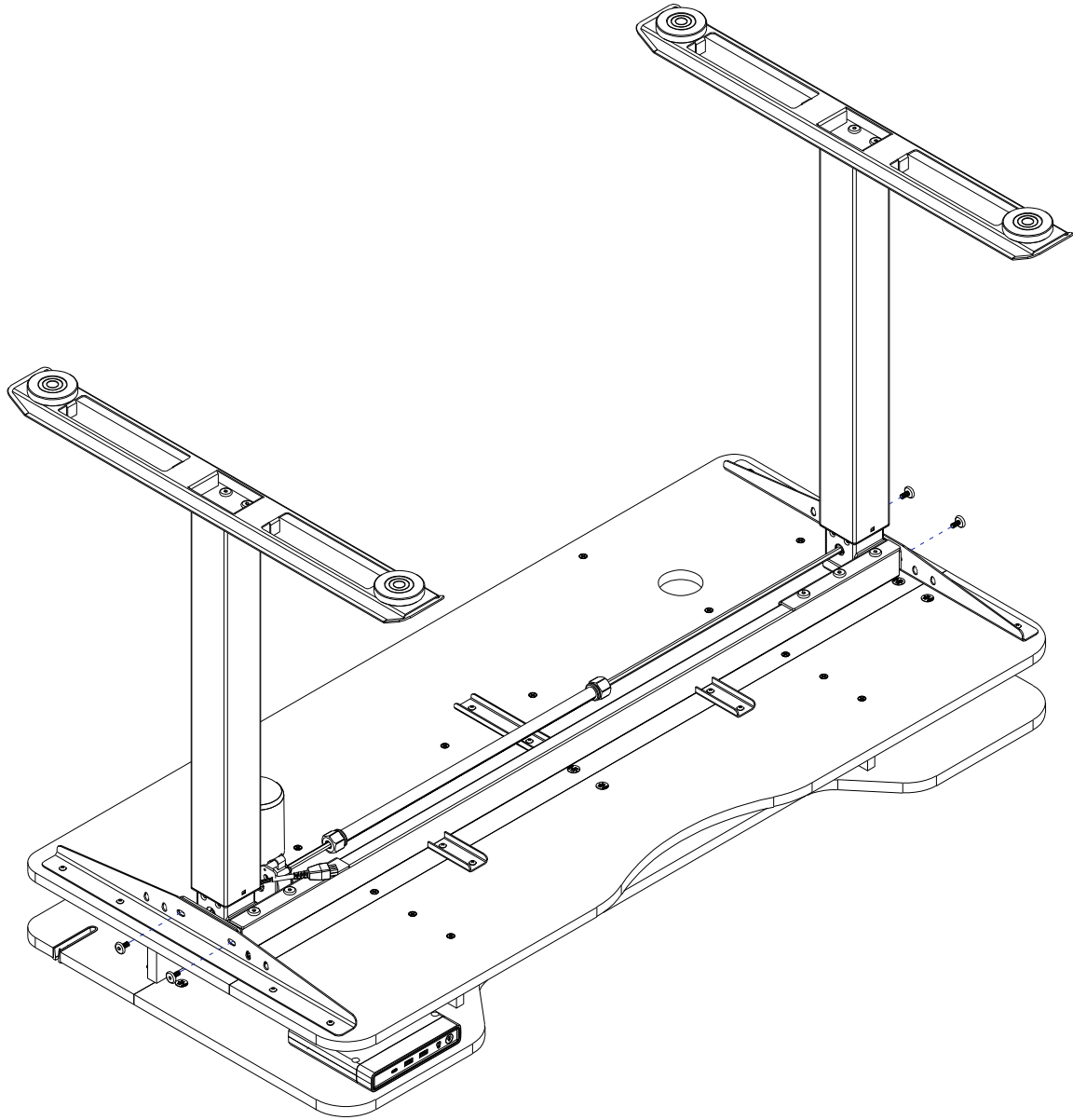
 Before tighten all the screws , be sure check whether the hole is consistent with the corresponding position on the manual.



**C**.9/16" Medium Wood Screw - 8



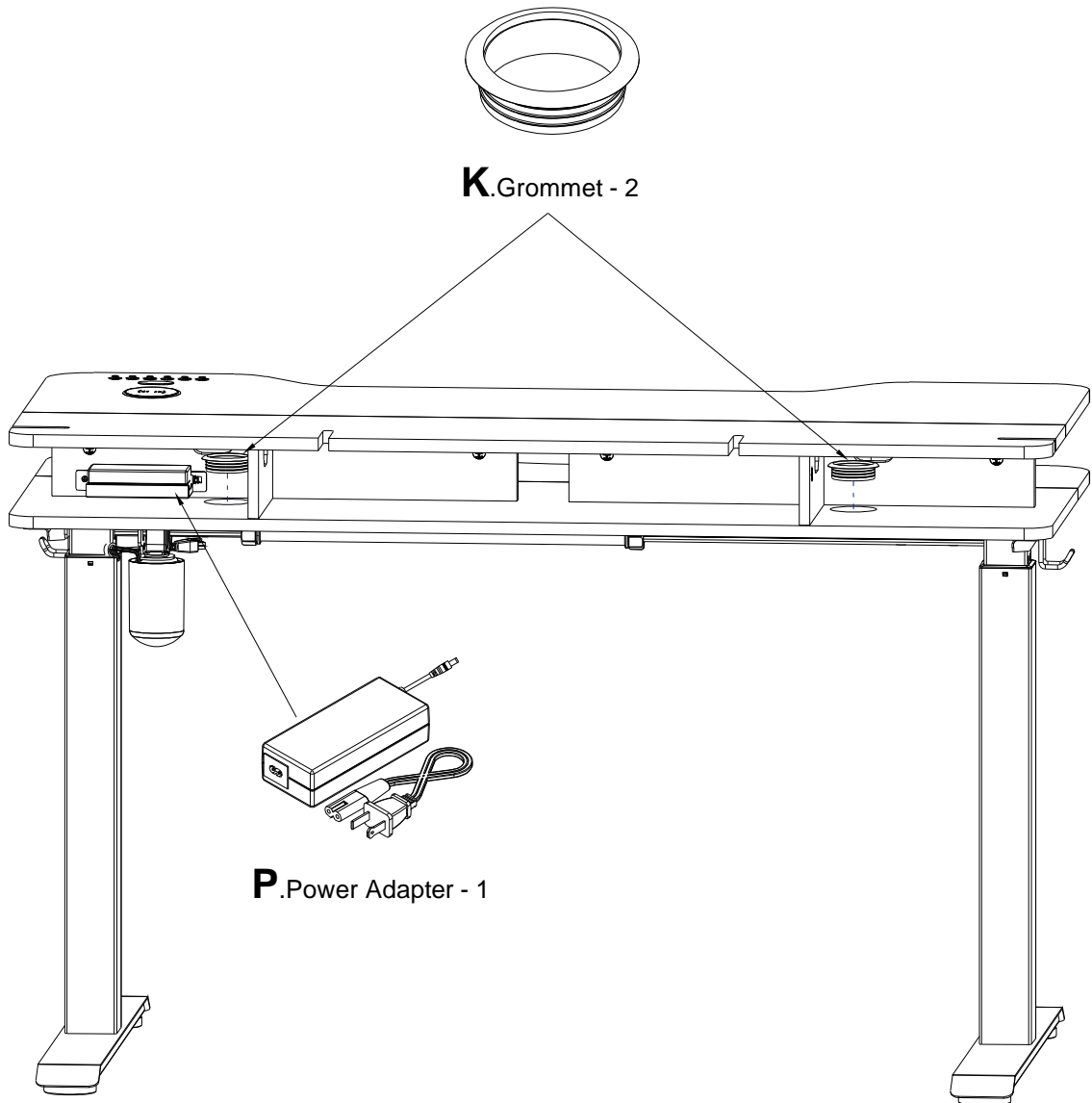
# STEP 13



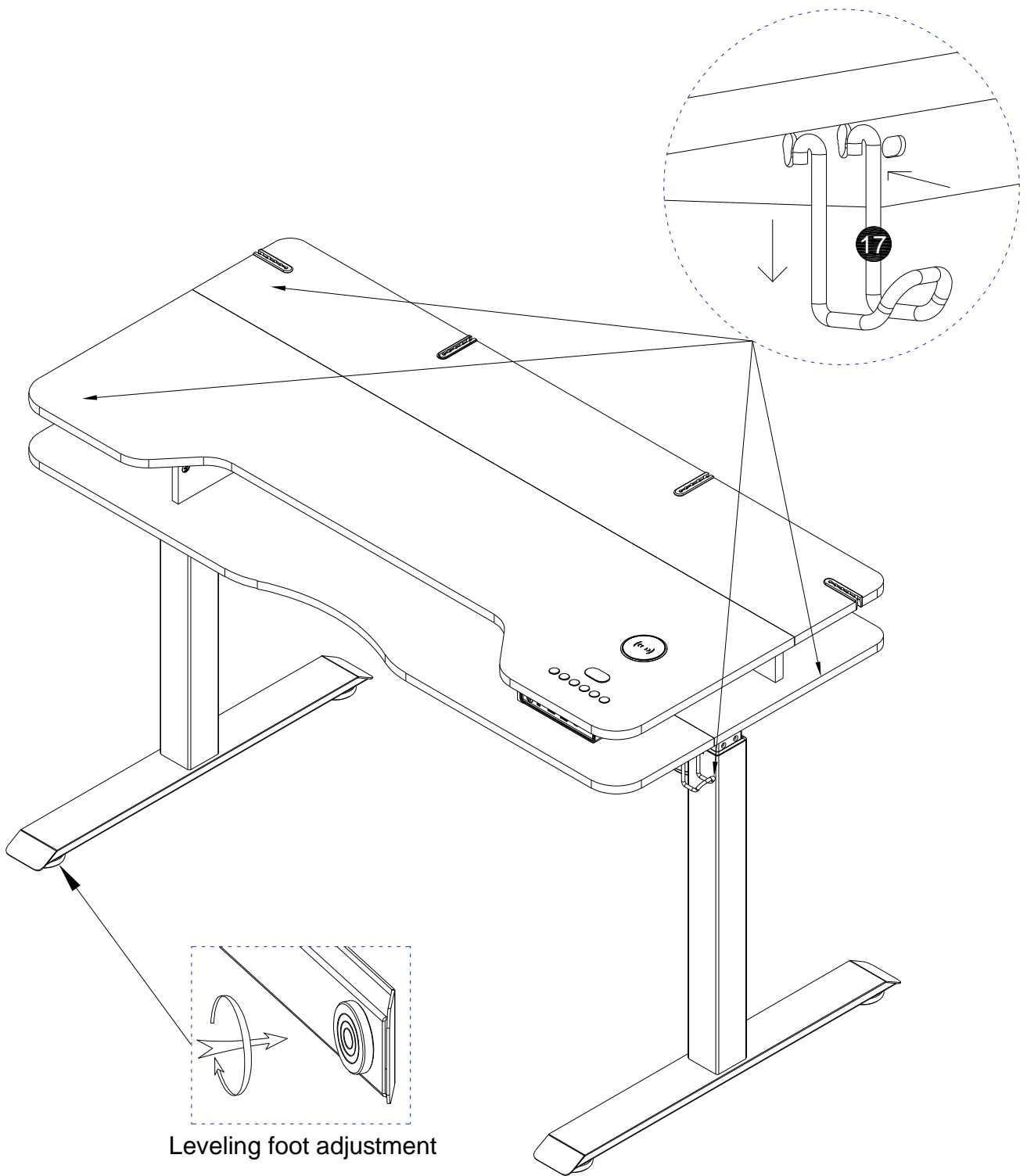
**B.** 1/2" Small Machine Screw - 4

**G.** Wrench - 1

# STEP 14



# STEP 15

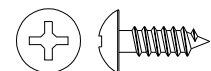
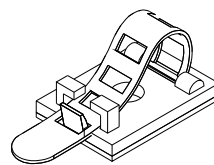
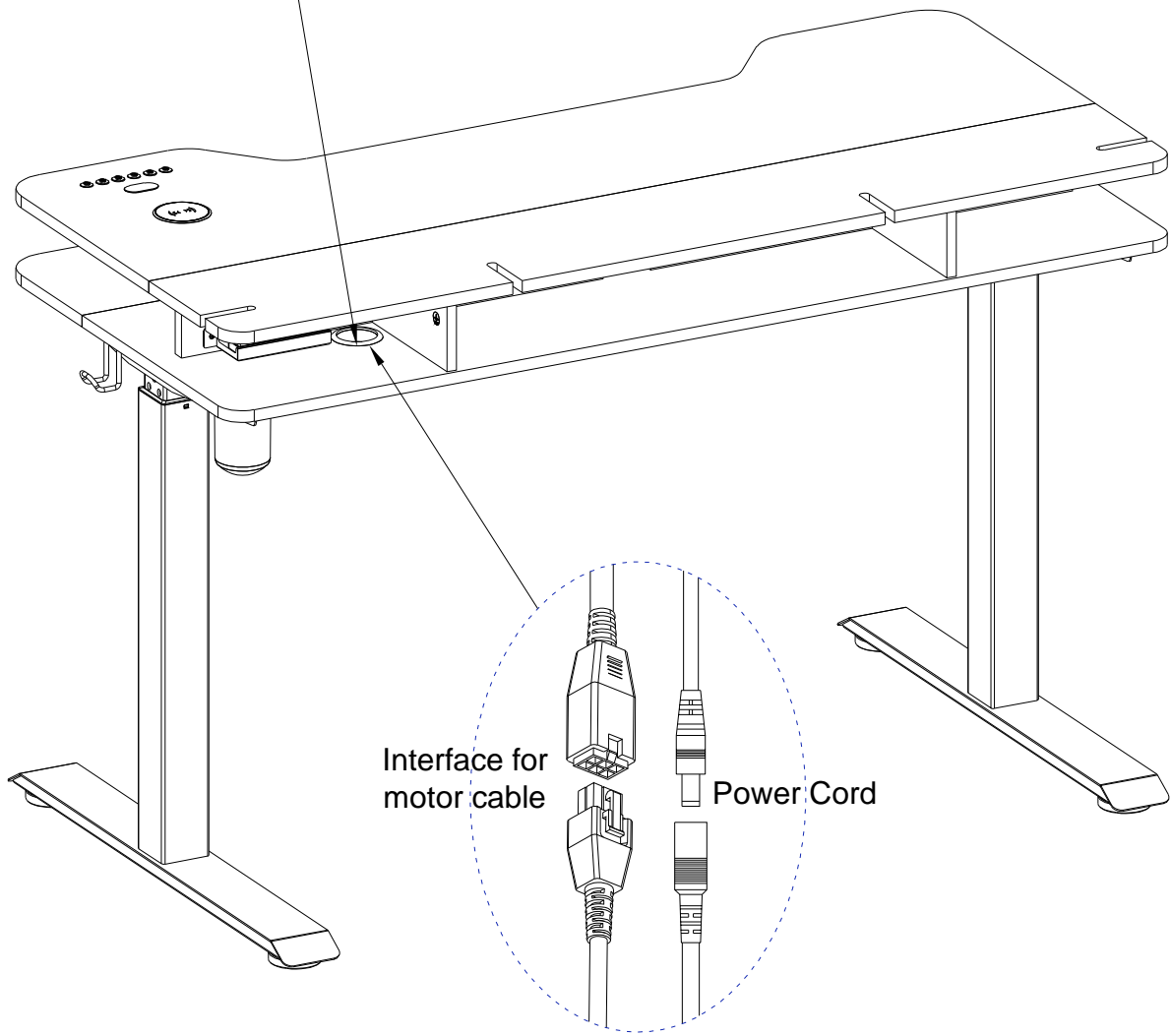
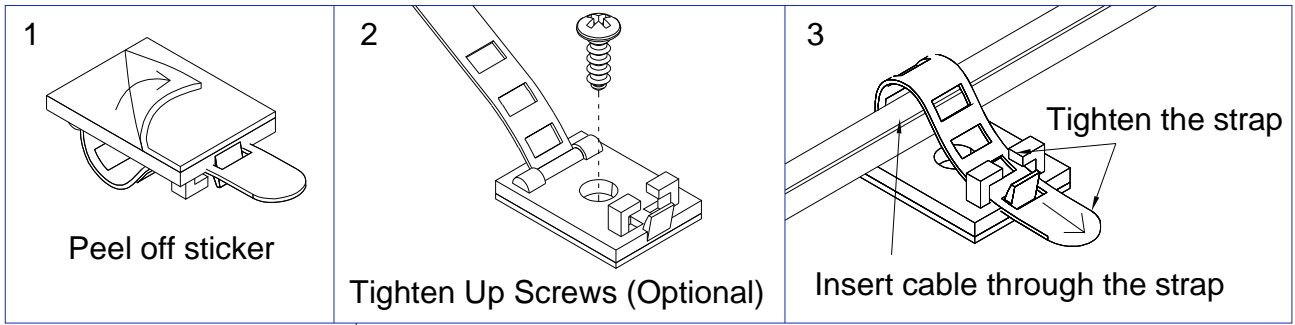


Leveling foot adjustment



17 Hook - 2

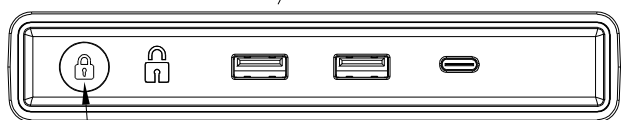
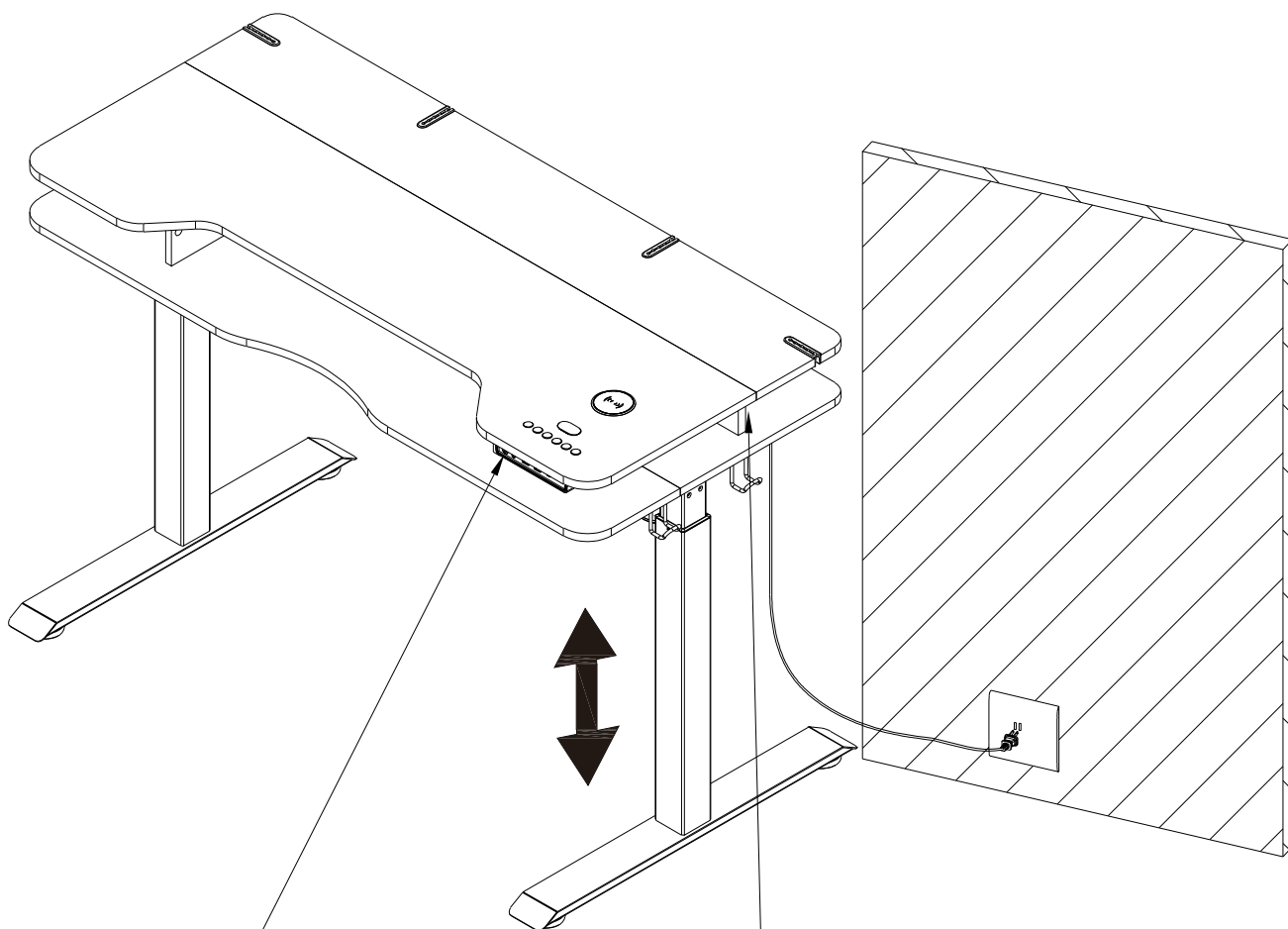
# STEP 16



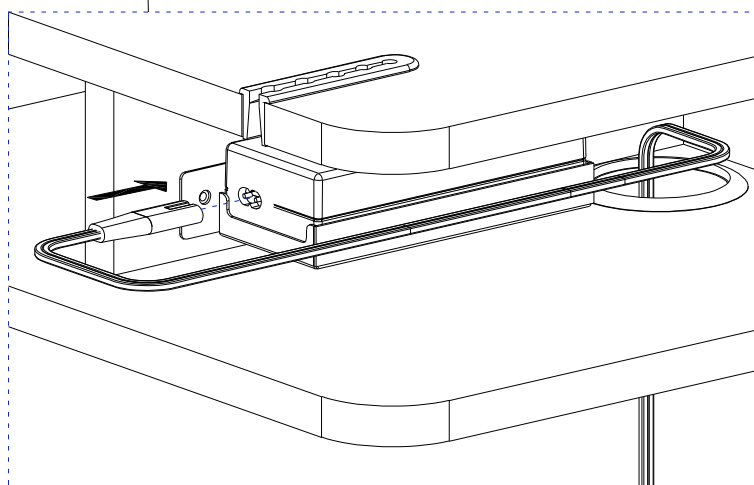
**H.** Self-adhesive Cable Strap - 3

**L.** 1/2" Small Wood Screw - 3

# STEP 17

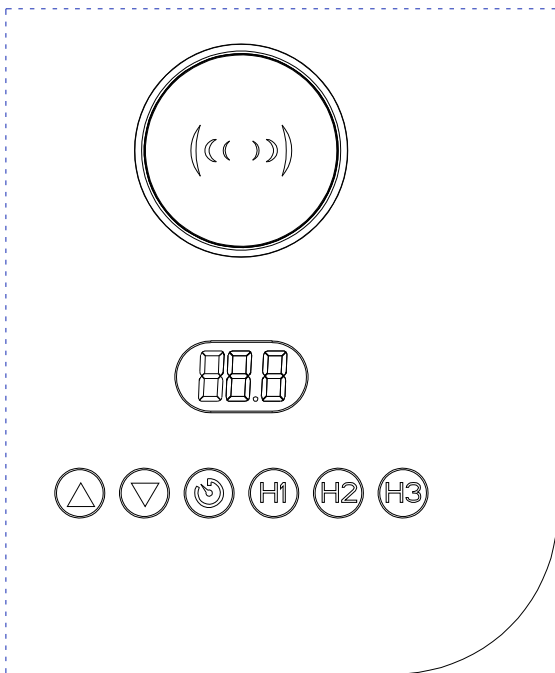
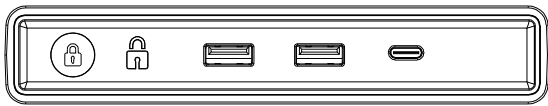


The 'Child Lock' button is for height position lock and factory reset purpose. Factory reset is required for first time initialization



Connect Power Cable to Power Adapter

# STEP 18



| Handset Instruction |  |
|---------------------|--|
| Button              | Functionality  |
|                     | REMINDER button, to activate the " Long-Time Sitting Reminder " function |
|                     | UP Button, to lift the desk surface                                      |
|                     | DOWN Button, to lower the desk surface                                   |
|                     | LED Display  |
|                     | Position 1, User saves the 1st Height Position                           |
|                     | Position 2, User saves the 2nd Height Position                           |
|                     | Position 3, User saves the 3rd Height Position                           |
|                     | Child Lock , to Lock/Unlock height position, and factory reset purpose.  |
|                     | USB  |
|                     | type-c   |
|                     | Wireless Charger   |

## Operation Guide

- **Reset Process**
  - a. Factory reset is required for first time initialization or when power cut off due to electrical problems.
  - b. Make sure all cables are connected properly before initialization.
  - c. Press and hold the "🔒" button. (Please do not release the button until connects to power)
  - d. Connect outlet to the power supply.
  - e. LED display shows "RES" then release the "🔒" button, desktop goes down automatically until it reaches its lowest height then rebound to factory reset height.
  - f. LED display shows "88.8", the initialization is completed.
- After the reset process, press the **UP** or **DOWN** button to lift or lower the height of desktop. The LED display shows the real time numerical value. The range of numerical value: 29.5"-47.2".
- **Memory setting for height position**
  - a. Press the **UP** or **DOWN** button to lift or lower height of desktop.
  - b. You can adjust the height to 35"then press button "H1" for 5 seconds, LED display starts flashing and you saved the 1st height position to 35"Repeat the same process to save 2nd and 3rd height position accordingly.
  - c. Press button "H1", "H2" and "H3" to reach the saved height position.
- **Long-Time Sitting Reminder**
  - a. Press REMINDER button "🕒" to activate the function. The LED display start flashing and shows "00"
  - b. Press **UP** or **DOWN** button to adjust countdown time setting. Re-press the "🕒" button to confirm and LED display stops flashing, countdown timing is set.
  - c. When the countdown finished, the buzzer will activate automatically with sound.
  - d. To de-activate the countdown, press "🕒" button and set timing to "00" by using the **UP** or **DOWN** button, then press "🕒" button to confirm.
- The 🔒 button is to lock height position from preventing further adjustment. To unlock it, simply press it again.

# Troubleshooting

This list is used for checking and solving common faults and errors. The LED displays an error code with warning sound when problem occurs. In most cases, problem should be resolved by reconnecting cables and run a factory reset mode. If problem you encounter is not on the list below, please contact the manufacturer for assistance.

| <b>Error Code</b> | <b>Faults</b>                | <b>Solution</b>   |
|-------------------|------------------------------|---|
| E1                | Excessive overtime operation | Automatic recovery after stop using for 18 minutes  |
| E2                | Overloading                  | Reduce weight of loading  |
| E3                | Connection cable failure     | Check all cables (Power cord, handset cable, motor cable) and power plug are connected properly |
| E4                | Power voltage unmatched      | Check voltage of power supply or contact manufacture  |
| RES               | Factory reset mode request   | Run a factory reset process (Page 22)   |
| E11               | Handset fault                | Reconnect handset cable, or contact manufacture if problem does not solve                       |
| E12               | Control box fault            | Run a factory reset process, contact manufacture if problem does not solve                      |

## Attention

- Power supply: AC120V  $\pm$  10%, frequency 60HZ;
- Working environment: 32° - 104° F ;
- Before cleaning, you have to unplug the power supply cable. Clean with a slightly damp cloth to wipe away the surface dust. Keep all electrical components away from liquids. Do not damage the connection line and keep the plug in a safe position.
- Inside the control box, there are electronic components, metal parts, plastic parts, wires and so on. They should be disposed in accordance with the local laws and regulations. They cannot be disposed as household waste.
- Before using the product, please make sure the product has been installed correctly.
- Before starting use of the product, please read the instructions to fully understand all the product's functions and settings.
- Keep children away from electric height-adjustable desks, control units and handsets. Manufacturer is not responsible of any damages that result from children's unpredictable behaviour.
- Slight noise caused by the multi wedge belt or brake system will not impact the use of this product.
- Do not use corrosive or abrasive materials to clean this product and please dispose of cleaning solutions in an environmentally friendly manner.
- Understand the risks associated with using this product. Children or those with cognitive impairment should not use this product without supervision.
- If the power supply cord is damaged or broken, it must be replaced by the manufacturer or a relevant specialist to avoid any injuries.
- Please operate in a clean and safe environment. For example, do not left around your tools. And always be careful to deal with packaging materials, in order to avoid any kinds of possible danger. Potential choking risk exists when children play with plastic bags!
- If necessary, retain the original package for future transportation.

## Recycling and Disposal



This product cannot be disposed of as household waste. To prevent damage to the environment, this product should be recycled. Please use the relevant recycling systems available to you or contact the distributor or manufacturer for recycling assistance.



#### FCC STATEMENT :

This device complies with Part 15 of the FCC Rules. Operation is subject to the following two conditions:

This device may not cause harmful interference, and

This device must accept any interference received, including interference that may cause undesired operation.

Warning: Changes or modifications not expressly approved by the party responsible for compliance could void the user's authority to operate the equipment.

NOTE: This equipment has been tested and found to comply with the limits for a Class B digital device, pursuant to Part 15 of the FCC Rules. These limits are designed to provide reasonable protection against harmful interference in a residential installation. This equipment generates uses and can radiate radio frequency energy and, if not installed and used in accordance with the instructions, may cause harmful interference to radio communications. However, there is no guarantee that interference will not occur in a particular installation. If this equipment does cause harmful interference to radio or television reception, which can be determined by turning the equipment off and on, the user is encouraged to try to correct the interference by one or more of the following measures:

Reorient or relocate the receiving antenna.

Increase the separation between the equipment and receiver.

Connect the equipment into an outlet on a circuit different from that to which the receiver is connected. Consult the dealer or an experienced radio/TV technician for help.

FCC Radiation Exposure Statement:

This equipment complies with FCC radiation exposure limits set forth for an uncontrolled environment. This equipment should be installed and operated with minimum distance 20cm between the radiator & your body.