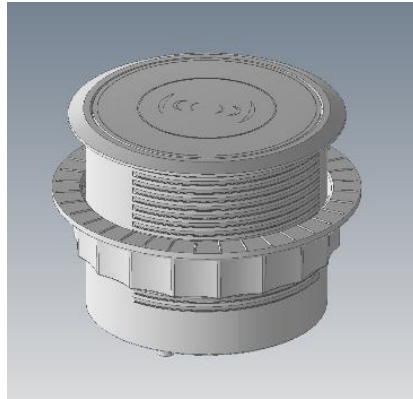


## GRHUB-4 instructions



Model: GRHUB-4

Function: USB external charging x 2, TYPE-C port external charging, wireless charging、Audio output Power:

Type-A: 5V 2.4A \*2 Max.

Type-C: 5V 3A, 9V 2A, 12V 1.6A, 20V 1A Max.

Wireless charging: 10W Max.

Input power: 24V 2.1A

Charging interface: DC 24V

Usage:When the device uses 24V 2.1A DC interface power input, all interfaces can guarantee to achieve full power. On the contrary, if the power consumption of the connection is insufficient, only one interface can be guaranteed to achieve the maximum power consumption, and the power consumption of using

other interfaces is correspondingly reduced. At the same time, the device has the audio output function, which can connect the audio output line of HUB-4 to the audio interface of other devices, and then use the audio output function at the audio interface on the top of HUB-4.

### **FCC STATEMENT :**

This device complies with Part 15 of the FCC Rules. Operation is subject to the following two conditions:

- (1) This device may not cause harmful interference, and
- (2) This device must accept any interference received, including interference that may cause undesired operation.

**Warning:** Changes or modifications not expressly approved by the party responsible for compliance could void the user's authority to operate the equipment.

NOTE: This equipment has been tested and found to comply with the limits for a Class B digital device, pursuant to Part 15 of the FCC Rules. These limits are designed to provide reasonable protection against harmful interference in a residential installation. This equipment generates uses and can radiate radio frequency energy and, if not installed and used in accordance with the instructions, may cause harmful interference to radio communications. However, there is no guarantee that interference will not occur in a particular installation. If this equipment does cause harmful interference to radio or television reception, which can be determined by turning the equipment off and on, the user is encouraged to try to correct the interference by one or more of the following measures:

Reorient or relocate the receiving antenna.

Increase the separation between the equipment and receiver.

Connect the equipment into an outlet on a circuit different from that to which the receiver is connected.

Consult the dealer or an experienced radio/TV technician for help.

### **FCC Radiation Exposure Statement:**

This equipment complies with FCC radiation exposure limits set forth for an uncontrolled environment. This equipment should be installed and operated with minimum distance 20cm between the radiator & your body.