

# TD3 系列说明书文案

## 封面&封底 - Cover:

(共 4 个版本!)

### 一、中文详版 (需纸质印刷)

#### 封面:

TD3 系列双光成像仪  
产品使用说明书

#### 封底:

公司名: 深圳市普雷德科技有限公司  
网址: www.pard.com  
邮箱: info@pard.com  
电话: +86-0755-29484438  
地址: 深圳市宝安区宝石东路 328 号恒兴昌工业园 A 栋

### 二、通用详版--英文 (无需纸质印刷, 仅放在官网上)

#### 封面页:

TS3x Series Thermal Imaging Device  
User Manual

#### 封底页:

- Company: Shenzhen Pard Technology Co.,Ltd
- Website: www.pard.com
- E-mail: info@pard.com
- Tel: 400-099-2599 / +86-0755-29484438
- Address: Building A Hengxingchang Industrial Park, Baoshi East Road, Shiyan, Bao'an, Shenzhen, 518000, China

### 三、美国详版--英文 (需纸质印刷)

#### 封面页:

TS3x Series Thermal Imaging Device  
User Manual

#### 封底页：

- Company: Optimax Technology LLC
- Website: www.pard.com
- E-mail: aftersales@optimaxtechnologyllc.com
- Toll free number: +1 (800)-986-4370
- Address: 3500 Lakeside Court Suite 200, Reno, NV 89509

#### 四、欧洲简版--多语言（需纸质印刷）

#### 封面：

TS3x Series Thermal Imaging Device  
Quick Start Guide

Shenzhen Pard Technology Co.,Ltd

#### 封底：

Website: www.pard.com

E-mail: info@pard.com

Tel: +48 451 167 007

Address: Żwirki i Wigury 16B Business Garden, 02-092 Warszawa, Polska

## 目录 - Contents

1. 致用户
2. 使用及注意事项
3. 包装及配件清单
4. 规格参数表
5. 产品描述
6. 组成部件及按键说明
7. 安装步骤
8. 操作说明
  - 1) 快捷键模式
  - 2) 菜单模式

1. To Users
2. Precautions
3. Package Contents
4. Specifications
5. Description & Key Features

6. Components & Controls
7. Installation
8. Operation Instruction
  - 1) Shortcut Mode
  - 2) Menu Mode

## 致用户 - To Users

### (中文版)

#### 致用户

非常感谢您选用本公司生产的 TD3 系列双光成像仪。

在首次使用前请仔细阅读本说明书并务必遵守本书中的操作规范，以免不当操作造成部件损坏。阅读完毕后，请妥善保管本说明书，以备在使用过程中遇到问题时方便查阅。

本手册仅供参考，若因版本升级或其他原因，本说明书如有变更，公司不再另行通知！

深圳市普雷德科技有限公司对此手册享有最终解释权。

版权归深圳市普雷德科技有限公司所有！

### (英文版)

#### To users

Thank you for your continued support and for choosing PARD TS3x series **thermal imaging device**. Please read this manual carefully before using the device for the first time. Please follow the instructions in this manual to avoid any damage caused by improper use and to ensure that your device operates properly.

After reading, please keep this manual in a safe place, for future reference. This manual provides step-by-step instructions on how to use your **thermal imaging device** and is intended for your reference only.

PARD reserves the right to amend this manual at any time without prior notice to individual users. For the most up-to-date information, we recommend visiting PARD's official website. PARD reserves the final right of interpretation of this manual.

## 注意事项 - Caution

### 注意事项

- 使用前请先取下内置电池上的绝缘胶带，或使用额定电压 3.7V 的锂离子电池。
- 超过 10 天不使用此产品，请取出电池保存。
- 使用和运输过程中请勿强烈摇晃或碰撞设备，运输时请务必使用原配包装。
- 请勿用本设备直视太阳、电焊、强激光等高强度辐射源，否则会损伤探测器，且不在保修范围内。
- 避免镜头刮伤以及油渍或化学物质粘污镜头造成损坏，使用完毕后，请及时盖上镜头盖。
- 设备应放置在阴凉干燥，通风无强烈电磁场的环境中，储存环境温度不能低于-40°C 或高于 60°C。
- 切勿擅自打开机壳，如发生故障请及时与厂家联系，否则将视为放弃保修服务。

### Precautions

- Please remove the insulating tape on the battery before first use. It is recommended to use a fully charged lithium-ion battery with a rated voltage of 3.7V.
- Please turn off the device and remove the battery when it's not in use for more than 10 days, and store the device & battery in a dry and safe place.
- Be extra cautious and handle the device with care during use or transportation. It is recommended to use the original packaging during transportation.
- Do not use the device to focus directly on strong sources of light such as the sun or electric welding. The detector may be damaged and it will void the warranty.
- Avoid lens scratches and damage caused by oil or chemical contamination of the lens. Keep the lens cap on when not in use.
- The device should be placed in a cool, dry, and ventilated environment without strong electromagnetic fields, and the storage environment temperature should not be lower than (-5°F/-20°C) or higher than (120°F/50°C).
- Do not disassemble the device without authorization. If you encounter any problems, please contact our after-sales team and report them on our official website. Failure to do so will render the warranty service null and void.

## 包装及配件清单 -- Package Contents

图示	内容物	数量
	双光成像仪	1
	3.7V 21700 可充电锂电池	1
	保护套	1
	Type-C 充电线	1
	STD 双钉夹	2
	六角扳手	2
	镜布	2
	眼罩	1
	用户手册	1
	售后保修卡	1

Icon	Contents	Quantity
	Thermal imaging device	1
	3.7V 21700 Rechargeable lithium-ion battery	1
	Protective case	1
	Type-C cable	1
	STD mount rings	2
	Allen wrench	2
	Cloth	2
	Rubber eye cup	1
	User's manual	1
	After sales card	1

## 参数规格表 - Specifications

见如下研发给过来的规格参数表!

## 产品描述 - Description & Key Features

(黄色高亮部分是美国的写法：1200yds, 通用版的请写 1000M)

PARD TD3 系列是一款高性能的双光成像仪，在经典中捕获灵感，并致力于寻求经典美学与现代智能科技的融合。采用 800\*800 LTPS 全球首发圆形屏幕，超高分辨率和色彩饱和度，搭载 12 微米长波红外探测器，成像细腻丰富，识别弱温差目标的能力强。全新移动图像归零系统可最大化利用整个观察视野；人性化操控旋钮，将便捷真正玩转于指尖！

1200yds 焕新升级测距模组与弹道算法技术的双强联合，精准，不来虚的！

### 主要功能特点：

- 800\*800 LTPS 超高清圆形屏幕
- 12 $\mu$ m, NETD $\leq$ 5mK 高灵敏度红外探测器
- 红外图像增强算法
- 弹道计算
- 超长出瞳距显示系统
- 1200yds 测距模块
- 射击预录
- 新升级 UI 界面
- 多功能操控旋钮
- 城市/丛林/雨林三种场景模式
- WiFi
- IP67 等级
- 6000J 超强抗冲击性能



The TS3x has a traditional day scope exterior. It is also a multifunctional thermal imaging device with advanced technology. TS3x stays one jump ahead and pioneers the innovative use of an 800\*800 circular LTPS display. Combined with a highly sensitive 12 $\mu$ m, NETD $\leq$ 5mK thermal imaging sensor, the scope can detect subtle differences in temperature which results higher image resolution and clarity. Users can choose 640\*480 or 384\*288 resolution options to suit their needs. With a ballistic calculator and a 1000M LRF, users can improve their accuracy and hunt smarter with smart technology.

### Key Features

- 800\*800 circular LTPS display
- 12 $\mu$ m, NETD $\leq$ 5mK LWIR sensor
- Infrared image enhancement
- Ballistic calculator
- Long eye-relief display system (LEDS)
- 1000M LRF (laser rangefinder)
- Self-activated recording
- Completely new UI
- Multi-functional control knob
- Three scene modes: City / Forest / Rain
- WiFi
- IP67 Waterproof
- 6000J Recoil resistance

## 组成部件说明 - Components & Controls

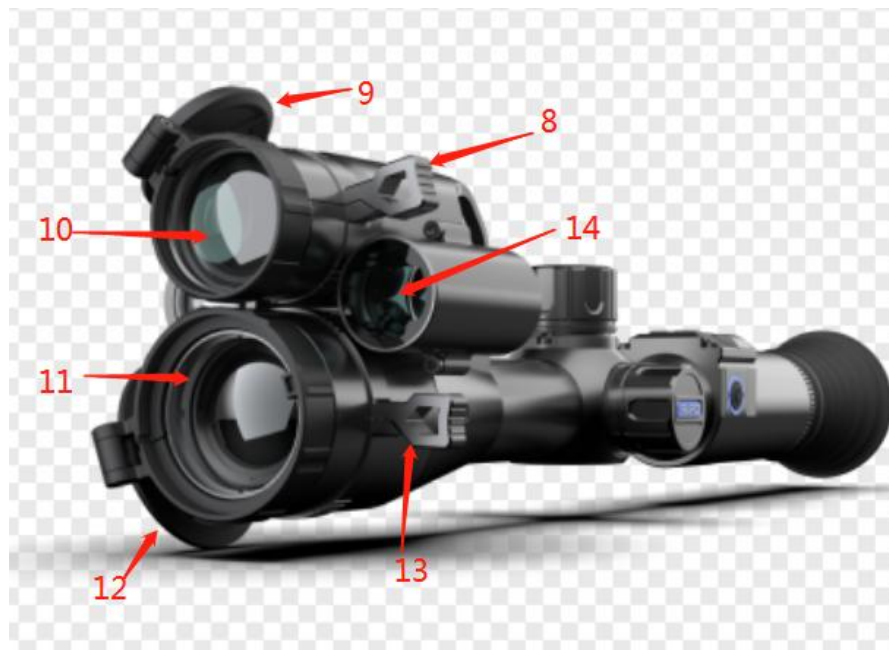
(平面按照图示，选择合适角度的线条图做部件说明)

TD3 部件图示：

图一：



图二：



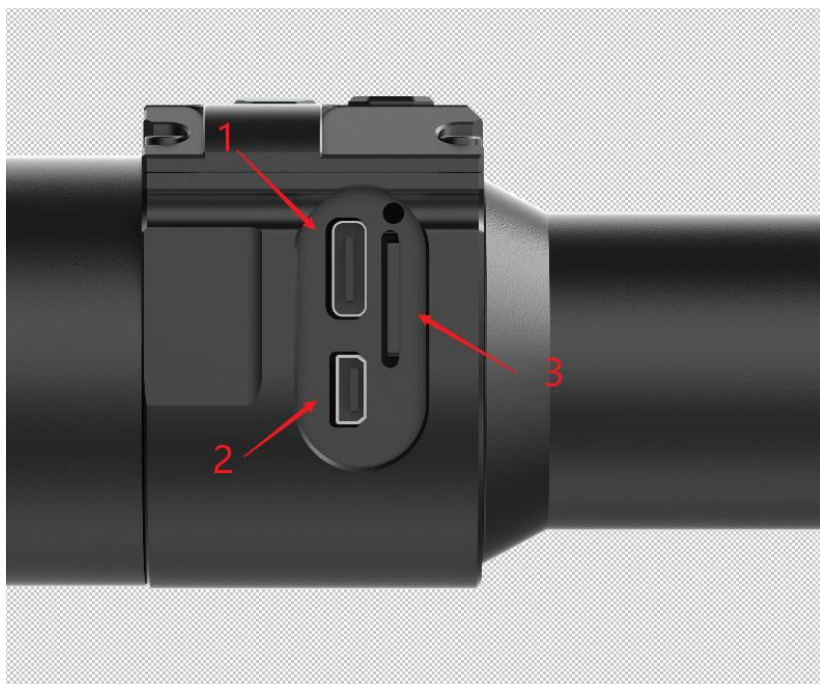
1. 目镜
2. 目镜调焦轮
3. 电源/休眠键
4. 电池仓
5. 按键板

6. 操控旋钮
7. 电池盖
8. 35 物镜调焦拨杆
9. V35 镜头盖
10. 35 物镜
11. 402S 物镜
12. 402S 镜头盖
13. 402S 物镜调焦拨杆
14. 测距模块

英文如下：

1. Lens cap
2. Objective lens
3. Focus lever
4. Laser rangefinder (only for LRF version)
5. Battery cap
6. Battery compartment
7. Control knob
8. Power/Sleep button
9. Button panel
10. Diopter adjustment ring
11. Eyepiece lens

图三



- 1. Type-C 充电接口
- 2. HDMI 高清接口
- 3. TF 卡槽

英文如下：

- 1. Type-C charging port
- 2. HDMI port
- 3. TF card slot

图三



- 1. 眼罩
- 1. Rubber eyepiece

图五：



1. 电源指示灯
1. Power indicator

## 使用及安装步骤 - Installation

### 拆封

使用该产品前请先进行以下操作：

- (1) 打开包装盒，取出设备和所有零部件； -- 配包装盒取出来的图
  - (2) 检查确保前面所列包装内容物都齐全；
  - (3) 检查设备的界面、机身、镜头、操作按钮等是否损坏；
  - (4) 检查设备的物镜目镜是否清洁并能正常使用；
- 注意：**若有任何配件缺失或损坏，请及时联系售后；

### Unboxing

Before using this device, please do the following:

- (1) Open the box and remove the device.
- (2) Check to ensure that the package contents listed above are all included in the box.

(3) Check the device for any damage to the display, body, lens, buttons, etc.

(4) Make sure that the objective lens and eyepiece are clean & functioning properly.

**Note:** If any accessories are missing or damaged, please contact our after-sale service team.

## 电池安装及开机

-- 配图

电池安装步骤如下：

- (1) 逆时针旋开电池盖并取出电池；
- (2) 撕掉电池上的绝缘胶带；
- (3) 将电池正极朝内放入,再顺时针拧紧电池盖；
- (4) 长按电源键约 3 秒后，按键板指示灯亮起，屏幕画面唤醒即可开始使用；

**注意：**

- 请使用额定电压为 3.7V 的 21700 可充电锂电池
- 请注意拧紧过程中对准螺纹，避免出现滑丝现象
- 禁止放入火中或在电池盖打开的情况下放入水中
- 请勿擅自拆卸
- 禁止用尖锐物体刺穿
- 电池应该放在儿童接触不到的地方，并确认电池的正负极是否安装正确

## Battery installation and startup

The battery installation steps are as follows:

- (1) Unscrew the battery cap counterclockwise and remove the battery.
- (2) Remove the insulating tape.
- (3) Insert the battery, ensuring that the positive (+) side goes in first and tighten the battery cap clockwise.
- (4) To turn on the device, press and hold the power button for about 3 seconds. (When the power light illuminates and the PARD Logo appears on the screen, the device is ready for use.)

**Note:**

- Please use a single 21700 rechargeable lithium-ion battery rated 3.7V voltage.
- Do not put battery into fire.
- Do not put device into water when the battery cap is open.
- Do not disassemble the device without authorization.
- Do not pierce the device with sharp objects.
- Battery should be kept out of reach of children, and the positive and negative terminals of the battery should be installed correctly.

## 夹具安装

为确保最佳的使用体验，请用我司原装夹具与您的器械进行搭配使用（夹具已放置在产品包装中供取用）。

- (1) 取出产品包装盒内的主机、两幅双钉夹及六角扳手；
- (2) 用六角扳手拧开双钉夹上半环部分，并将双钉夹底部的螺丝拧松；
- (3) 在想要固定的位置，将双钉夹底部与您的导轨拧紧；
- (4) 将本设备放置在双钉夹环内并调节到适当位置；
- (5) 用螺丝锁紧双钉夹的上下半环，确保本设备处于水平状态，且不会因器械的冲击力产生松动；

## Mount installation

To ensure the best user experience, we highly recommend using our original mount included in the product packaging.

- (1) Take out the **thermal imaging device**, two scope rings and an Allen wrench out of the box.
- (2) Use the Allen wrench to unscrew the ring tops, and loosen the screws on the bottom half of the mount.
- (3) Attach the bottom half of your rings to the rail.
- (4) Tighten the screw on the rear mount to your rail to the desired position.
- (5) Place the scope in the scope rings. The scope should slide with minimum resistance.
- (6) Install the ring tops and tighten down the screws and make sure the scope stays level.

下面这种图!





## 目镜调焦

目镜调焦又称屈光度调节，目的是为了不同视力的用户都能清晰的看清楚显示屏中的内容。

- (1) 开机后转动目镜调焦轮使自己能看清屏幕上的文字或图标为准。 -- 配图
- (2) 请注意并不是调节后清晰地看到图像，只要保证清晰地看到显示屏上的十字线和文字即可(在物镜未调焦好时看到的图像可能不清晰)，同一个人一只眼睛只需要调节一次。

## Diopter focusing

Diopter focusing is used to adjust users with different levels of corrected vision to clearly see the content displayed on the screen as shown in picture 1.

- (1) After powering the device, rotate the diopter focusing wheel so that you can see the screen clearly.
- (2) As long as you can clearly see the crosshair and text on the display, the diopter focusing setting has been completed.

**Note:** The image may not seem clear after diopter adjustment, as the objective lens still needs to be focused.

## 物镜调焦

- (1) 物镜对焦前请确认目镜调焦（屈光度调节）已经完成；
- (2) 对准想看的目标，调节物镜调焦轮，使自己清晰地看到目标图像为止；

## Objective lens focusing

- (1) Before you focus the objective lens, ensure that the diopter focusing has been completed.
- (2) Target an object and adjust the objective focusing wheel until you can see the target image clearly as shown in picture 2.

## 电子罗盘校准

目镜调焦完毕后，请使用如图“8字校准法”进行电子罗盘校准--要求用户使用本设备在空中做8字晃动，原则上尽量多的让设备法线方向指向空间的所有8个象限。



## Compass calibration

After the eyepiece is focused, please use the "figure 8 pattern method" to calibrate the electronic compass. Users are required to tilt and move the device in a figure 8 motion until the compass is calibrated as shown in picture 3.

## 归零

十字线归零校准指在一个归零距离将瞄准镜的分化中心点与弹着点重合，使在这一特定距离上瞄准点所瞄的位置就是子弹命中点，达到精准射击的作用。

### 界面说明

--放归零菜单的界面图



- 子菜单中的第一项表示储存数据，共 A-E 五组储存数据；
- “X” 的值代表十字线在 X 轴上的位置；
- “Y” 的值代表十字线在 Y 轴上的位置；
- Style 对应十字线类型（6 种类型供选择）；
- Color 对应十字线颜色（红/白/黄/绿色 4 种颜色供选择）；

-- 这步的 4 种十字线颜色和上一步的十字线 6 种类型共用一张图展现

- Save 项下“Yes”表示保存，“No”表示不保存；

### 归零步骤

- (1) **设置标靶：**在目标归零距离设置本设备能获得良好图像的标靶；
- (2) **进入归零设置子菜单：**在预览模式下，单击旋钮进入快捷菜单模式，转动旋钮将光标移至十字线调节设置选项，再次单击进入归零子菜单界面；

--配进入 TD

菜单界面中 Reticle adjustment 的图

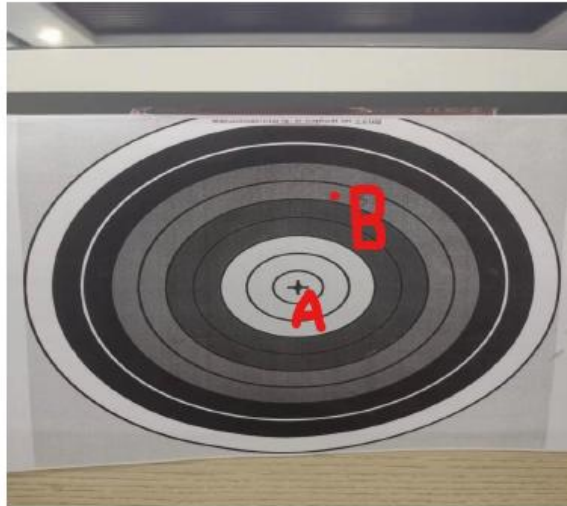


- (3) **归零组设置：**进入归零页面后，在“RTZ”项下转动旋钮来创建一个新的归零组或编辑一个现有归零组下的内容；



- (4) **射击：**在获得良好图像后对目标中心点进行射击，确保射击后显示屏上能看到清晰的落点；

--配标靶上有偏移落点的图



- (5) **调整归零值：**射击后保持机器的位置，然后单击旋钮移动光标到“X”、“Y”项上，再转动旋钮冻结画面并调整“X”、“Y”的值，直到将显示屏上的十字分划中心点移动到实际落点；
- (6) **保存退出：**将“Save”项设置为“Yes”，设置完成后，长按旋钮即可保存退出，十字分划线中心点将于实际落点重合；

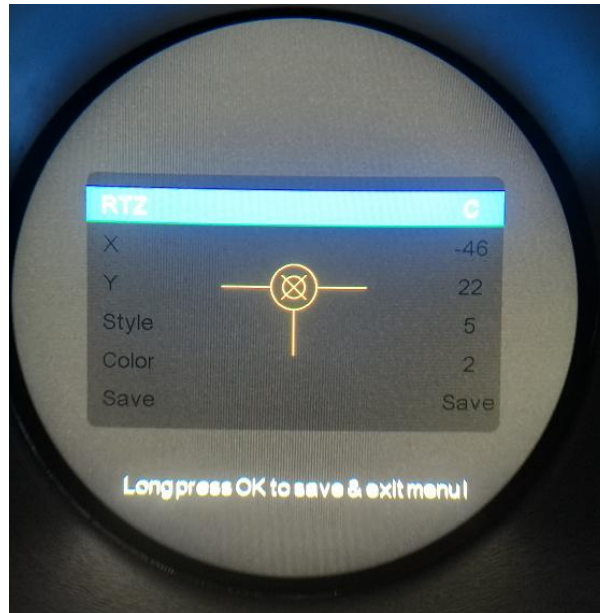
注意：X轴方向通过移动背景图像来实现与落点的横向重合，十字线永远水平居中；Y轴方向通过调节十字线位置来实现与落点的纵向重合。

## Zeroing (Reticle adjustment)

Reticle Adjustment refers to aligning the reticle with the point of impact at a zeroing distance, so that the position of the aiming point at this specific distance corresponds with the point of impact of the bullet.

### Interface explanation

--放归零菜单的界面图



- The first item in the sub-menu represents the saved “zero” setting, there are five profiles A-E.
- “X” represents the X axis of the cross line.
- “Y” represents the Y axis of the cross line.
- Style corresponds to the crosshair type (6 options available).
- Color corresponds to the color of the cross line (red/white/yellow/green).
  - 这步的 4 种十字线颜色和上一步的十字线 6 种类型共用一张图展现
- Under the Save option, "Y" means to SAVE, and "N" means DO NOT SAVE.

### Zeroing steps

- (1) **Set the target.** Set the target at the zeroing distance and ensure that the device can obtain a good image.
- (2) **Enter to reticle adjustment (Zeroing page).** In the home screen mode, press [Key 1] to enter the shortcut menu mode, and rotate the [knob] counterclockwise to move the cursor to the reticle adjustment setting option. Press [Key 1] to enter the sub-menu interface.

--进入 TS 界面中 Reticle adjustment 的图



- (3) **Profile setting.** After entering the zeroing page, rotate “RTZ” items from A-E to create a new zeroing profile or edit an existing one.



- (4) **Shoot.** Fire a 1st shot at the center of the target, ensuring that you can see a clear point of impact on the screen after the shot has been taken.

-- 标靶上有落点的图



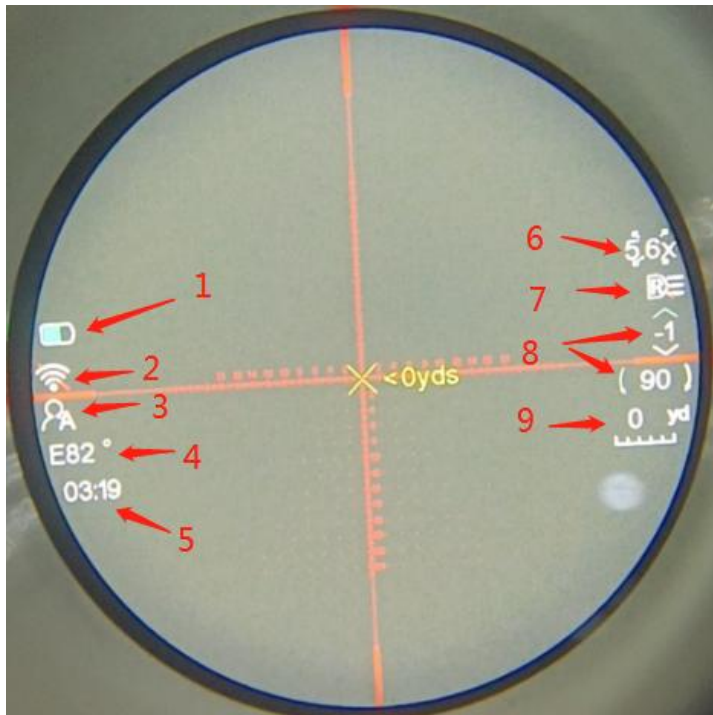


- (5) **Adjust zero value.** Keep the scope steady after shooting, and then press the [knob] to move the cursor to the "X" and "Y" items. Rotate the [knob] to freeze the screen and adjust the values of "X" and "Y" until the center point of the reticle is moved to the point of impact on the display screen.

**Save and exit.** Rotate [knob] clockwise to set the "Save" item to "Y". After the setting is completed, press and hold [Key 1] to save and exit. The actual point of impact is moved to the center point of the reticle. **(The reticle is always at the center of the screen, which can maximize the use of the whole observation field.)**

**Note:** For the horizontal direction, you can align the center of the reticle with the point of impact by adjusting X value. This will shift the background image and the reticle is always horizontally centered after zeroing. For the vertical direction, you can adjust Y value to move the position of the reticle on the Y axis to align the center of the reticle with the point of impact).

## 操作说明-Operation Instruction:



1. 电量
2. WiFi
3. 归零数据组
4. 指南针
5. 时间
6. 放大倍率
7. 补光灯
8. 陀螺仪
9. 测距

1. Battery
2. WiFi
3. Profile
4. Compass
5. Time
6. Magnification
7. Scene mode
8. Gyroscope
9. Range
10. Color palettes

## 快捷键模式 - Shortcut Mode

TD3 系列按键图示及定义  
-- 对接平面（建议这里放按键线条图）



## 中文版

旋钮 (按键 1)	<b>逆时针旋转</b>	<b>顺时针旋转</b>	
	下/减/隐藏界面图标	上/增/切换倍率	
	<b>单击</b>	<b>长按</b>	<b>双击</b>
	快捷菜单/OK	完整菜单	PIP

	<b>单击</b>	<b>长按</b>	<b>双击</b>
按键 2	图像模式切换	场景模式切换	红点激光
按键 3	拍照	录像	查看文件
按键 4	测距/弹道/返回	WiFi	快门刷新

## 英文版

Knob (key 1)	<b>rotate counterclockwise</b>	<b>rotate clockwise</b>	
	down/-/hide screen icons	up/+/zoom	-
	<b>single press</b>	<b>press and hold</b>	<b>double press</b>
	quick menu/ok	full menu	PIP

	<b>single press</b>	<b>press and hold</b>	<b>double press</b>
Key 2	color palettes	scene modes	-
Key 3	take a photo	record video	files
Key 4	LRF/ballistic calculator/back	WiFi	shutter correction

## 详细解说 -- Explanation:

### 按键一（旋钮）：

#### 单击：

- ①在预览模式下单击旋钮即进入快捷菜单界面；
- ②在菜单模式下单击旋钮是确定；

#### 长按：

在预览模式下长按旋钮即进入完整菜单界面；

#### 双击：

在预览模式下双击旋钮即可打开/关闭画中画模式；

#### 逆时针转动旋钮：

- ①在预览界面下，逆时针转动旋钮是隐藏/显示界面图标；
- ②在菜单选项界面下逆时针转动旋钮是向下切换菜单选项，在菜单项下的参数设置界面下逆时针转动旋钮是减；

#### 顺时针转动旋钮：

- ①在预览界面下，顺时针转动旋钮是切换放大倍率；
- ②在菜单选项界面下顺时针转动旋钮是向上切换菜单选项，在菜单项下的参数设置界面下顺时针转动旋钮是增；

注：旋钮有慢（Step 1） / 快（Step 2）两档调节

## Key 1:

### Single press:

- ①Home screen mode: press [Key 1] to enter the shortcut menu;
- ②Menu mode: press [Key 1] means confirm.

### Press and hold:

Home screen mode: press and hold [Key 1] to enter the full menu.

### Double press:

Home screen mode: double press [Key 1] to turn on/off the picture-in-picture function.

### Rotate counterclockwise:

- ① Home screen mode: rotate the [knob] counterclockwise to hide/show home screen icons.
- ② Menu mode: rotate the [knob] counterclockwise to scroll down between menu options.

In the parameter setting interface under the sub menu, rotate the [knob] counterclockwise to decrease the values.

#### Rotate clockwise:

- ① Home screen mode, rotate the [knob] clockwise to switch the magnification.
- ② Rotate the [knob] clockwise in the menu option interface to switch menu options upward. In the parameter setting interface under the sub menu, rotate the [knob] clockwise to increase the values.

**Note:** The [knob] has slow rotate (Step 1)/fast rotate (Step 2).

#### 按键二:

##### 单击:

在预览模式下, 单击[按键二]即可实现图像模式白热/天空/边缘/黑热/红热/铁红伪彩等模式的切换;

##### 长按:

在预览模式下长按[按键二]即可实现城市/丛林/雨林的场景切换;

##### 双击:

在预览模式下双击[按键二]即可实现城红点激光开关切换;

#### Key 2:

##### Single press:

Home screen mode: press [Key 2] to switch between image mode: WT-HOT/BK-HOT/EDGE/RD-HOT/IN-HOT/Sky.

##### Press and hold:

Home screen mode: press and hold [Key 2] to switch between city/forest/rain scene modes.

#### 按键三:

##### 单击:

在预览模式下单击[按键三]即可实现拍照功能;

##### 长按:

在预览模式下长按[按键三]即可开启录像功能, 再次长按[按键三]即保存录像并退出;

### 双击：

在预览模式下双击[按键三]即可实现回放功能，进入该界面后将显示储存卡内的录像和图片文件；

- 在该界面下，转动旋钮是切换文件；
- 录像文件下单击旋钮是播放/暂停录像
- 播放录像时转动旋钮是快进或倒退 2/4/8 倍；
- 录像文件下单击[按键四]将进行如下设置；
  - 1) 删除：
    - 删除当前文件
    - 删除所有文件
  - 2) 文件保护：
    - 锁定当前文件
    - 解锁当前文件
    - 锁定所有文件
    - 锁定所有文件
  - 3) 幻灯片播放：
    - 以幻灯片形式播放所有录像文件 2 秒钟
    - 以幻灯片形式播放所有录像文件 5 秒钟
    - 以幻灯片形式播放所有录像文件 8 秒钟
- 长按[按键四]是返回到观察界面

### Key 3：

#### Single press：

Home screen mode: press [Key 3] to take a photo.

#### Press and hold：

Home screen mode: press [Key 3] to record a video. Press and hold [Key 3] again to save the video and exit.

#### Double press：

Home screen mode: double press [Key 3] to enable the playback function. After entering this interface, the video and picture files in the memory card will be displayed.

- Rotate the [knob] to switch between files.
- Press [Key 1] to play/pause the saved videos.
- When playing videos, rotate the [knob] to fast forward or rewind 2x/4x/8x times.
- Press [Key 4] to access the following settings;
  - 1) Delete:

- Delete Current
- Delete All

2) File Protection:

- Lock Current
- Unlock Current
- Lock All
- Unlock All

3) Slide Show:

- Two seconds
  - Five seconds
  - Eight seconds
- Press and hold [Key 4] to return.

#### 按键四:

##### 单击:

- ① 在预览模式下单击[按键四]即开启测距功能（测距版将自动显示目标距离；标准版将显示“[0]m”或“[0]yds”，可通过旋钮手动输入目标距离值）；  
再次单击[按键四]即开启弹道计算功能并指示弹着点；（弹道计算功能关闭时，即关闭测距指示标）；  
两次单击[按键四]即关闭弹道指示标；（弹道计算功能开启时）  
②在菜单模式下，单击[按键四]是返回到预览模式；

##### 长按:

在预览模式下长按[按键四]即可实现打开/关闭 WiFi 功能（WiFi 开启后，无法进入菜单，需长按[按键四]关闭 WiFi 后，再进入菜单界面）；

##### 双击:

在预览模式下双击[按键四]即可执行快门刷新操作（需在菜单界面中选择自动快门模式）；

#### Key 4:

##### Single press:

- ① Home screen mode:
- Press [Key 4] to start the range detection function (For LRF version, the distance will be measured and displayed automatically. For non LRF version, the distance is not



measured automatically and will display "[0]m or [0]yds". You need to manually input the target distance value by rotating the [knob].

- Press [Key 4] a second time to turn on the ballistic indicator (when the ballistic calculator is turned off, the range indicator is turned off);
  - Press [Key 4] a third time to turn off the ballistic indicator; (when the ballistic calculator is turned on)
- ② Menu mode: press [Key 4] to return to the previous page.

**Press and hold:**

Home screen mode: press and hold [Key 4] to turn on/off the Wi-Fi function.

**Note:** When the WiFi is turned on, you cannot access the menu. Press and hold [Key 4] to turn off the Wi-Fi and then enter the menu interface.

**Double press:**

Home screen mode: double press [Key 4] to start the shutter correction function (To use this short cut key function, you must first enable the auto shutter in the menu).

## 菜单模式 - Menu Mode

在预览模式下，单击[按键一]进入快捷菜单模式，长按[按键一]进入完整菜单设置模式，即可对菜单栏下的各项功能选项进行设定（此时快捷键功能失效）。

Home screen mode: press [Key 1] to enter the shortcut menu mode. Press and hold [Key 1] to enter the full menu setting mode to set various function options (the shortcut key function is invalid at this time).

### 1. 图像设置

通过此功能，可调节图像的对比度、亮度、细节、锐度和模式，获得合适的图像效果。

- 进入菜单选项界面后，转动旋钮到图像设置选项，单击旋钮进入子菜单界面；
  - 单击旋钮移动光标切换子选项：对比度/亮度/细节/锐度/图像模式，转动旋钮即调整对应项的值；
  - 长按旋钮设置图像并保存，同时下次开机时也将沿用此图像模式；
- 默认值：对比度值为 105，亮度值为 60，细节为 5，锐度为 2，模式为 0

### 1. Image Setting

Users can adjust the image contrast, brightness, detail, sharpness and mode under this setting.

- Rotate the [knob] counterclockwise to move the cursor to the image setting option, press [Key 1] to enter the sub-menu.
- Press [Key 1] to switch between contrast / brightness / detail / sharpness / mode options, and rotate the [knob] to adjust the option value.
- Press and hold [Key 1] to exit. Upon the next startup, the device will maintain the saved image settings.

Image default settings: contrast value is 105, brightness value is 60, detail is 5, sharpness is 2 and the mode value is 0.

## 2. 屏幕亮度

通过此功能，可调节屏幕的亮度。

- 转动旋钮到屏幕亮度设置选项，单击旋钮进入子菜单界面；
- 转动旋钮选定“0 档、一档、二档、三档、四档、五档、六档”；
- 单击旋钮保存并返回到上一层；

## 2.Display Brightness

Users can adjust the display brightness of the screen to adapt to different surroundings.

- Rotate the [knob] counterclockwise to move the cursor to the display brightness option, press [Key 1] to enter the sub-menu.
- Rotate the [knob] to move the cursor to select “level 0” / “level 1” / “level 2” / “level 3” / “level 4” / “level 5” / “level 6” options.
- Press [Key 1] to save and return to the previous page.

### 3. 弹道计算

通过弹道算法软件，对影响弹道运动轨迹的相关参数计算后给出修正标识，达到精准射击的体验。

- 在预览模式下，单击旋钮进入快捷菜单选项界面；
- 进入后，转动旋钮到弹道计算设置选项，单击旋钮进入子菜单界面；
- 转动旋钮选定“参数”、“打开”、“关闭”弹道计算子选项后，单击旋钮确认保存或进入；
- 进入弹道计算参数设置后，单击旋钮即上下移动子选项光标，转动旋钮即调整对应项的值；

参数设置解释：

--放一张进入参数界面的图



使用此功能的第一步是设置数据组（Profile），在该组下需填写影响弹道的相关参数，如目标速度，子弹重量和归零距离等。

- 子弹数据：可支持保存 A-E 共 5 组弹道数据
- 子弹初速：子弹出膛时瞬间的运动速度，单位以“米/每秒”（m/s）或“英尺/每秒”（f/s）表示，可使用专业测试装置测定
- 子弹重量：所使用的子弹重量，单位以“克”（g）或“格令”（gr）表示，可从所购子弹的规格中获取数据
- 弹道系数：用来衡量弹头克服空气阻力、维持飞行速度的一项能力指标，可从所购子弹的规格中获取数据
- 海拔高度：指所在地海拔高度，单位以“米”（m）或“英尺”（ft）表示，是弹道计算中影响空气密度的重要指标之一，可通过专业测试装置测定
- 气温：指所在地气温，单位以“摄氏度”（°C）或“华氏度”（°F）表示，同样是弹道计算中影响空气密度的重要指标之一，可通过专业测试设备测定
- 基线高度：指瞄准器的光轴和枪管的高度距离差，单位以“毫米”（mm）或“英寸”（inch）表示，可通过测试装置测定
- 归零距离：单位以“米”（m）或“码”（yard）表示，通常设置为 100m 或 100yds，用户可根据自己习惯调整

- 指示标类型和颜色偏好：共三种样式和黄/绿/蓝三种颜色可选 --配下面指示标的类型和颜色



- 顺时针转动旋钮进入指示标类型和颜色设置界面；
  - 单击旋钮在样式和颜色子选项中切换；
  - 转动旋钮选定想要的样式和颜色；
  - 单击[按键 4]确认并返回到上一层；
- 
- 设置完毕后长按旋钮保存并返回到观察界面，短按[按键 4]退出不保存；

注：

1. 通过对子菜单测距单位选择中“米”或“码”的设置，可同步实现弹道计算相关参数的公制和英制单位切换。
2. 以上参数皆可从所购器械规格上获得或用专业设备测定，如有不明，请与厂商沟通联系。

### 3.Ballistic Calculator

The ballistic calculator can calculate bullet trajectories and give you a precise aiming point enabling you to accurately place your shot. The device supports five profiles allowing you to use the scope on multiple rifles.

- Home screen mode: press [Key 1] to enter the shortcut menu mode.
- Rotate the [knob] to move the cursor to the ballistic calculator setting option, press [Key 1] to enter the sub-menu.
- Rotate the [knob] to move the cursor to select “parameters” or “on/off” and then press [Key 1] to save or enter.
- After entering the ballistic calculator parameters sub-menu, press [Key 1] to scroll up or down to the parameters option you want to change. Rotate the [knob] to adjust the value of the corresponding parameter.

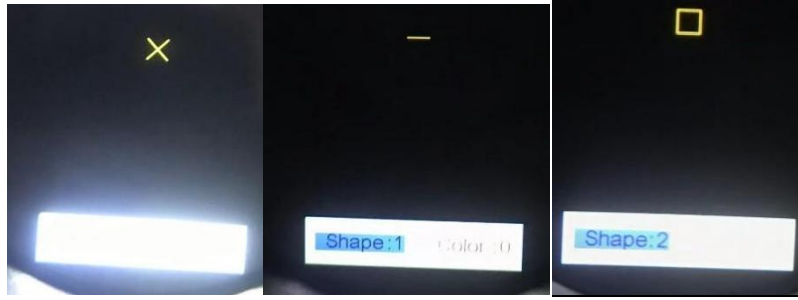
Parameter settings guide:

--放一张进入参数界面的图

Ballistic Data	
Velocity(f/s)	935
Bullet Wt(gr)	46.0
Bullet BC	0.465
Altitude(ft)	4000
Temperature(°F)	68
Scope Ht(inch)	2.76
Zero Range(yds)	45
Point Shape And Color	>

The first step in using ballistic calculator is to fill out the Profile that is being used with all relevant data such as target velocity, bullet weight and zero range.

- Ballistic data: There are 5 sets of ballistic data profiles (A-E) that can be saved.
  - To create a new profile, rotate the [knob] clockwise to switch from (A-E)
  - Rotate the [knob] counterclockwise, to go backwards from profile (E-A)
- Velocity: is the measurement of bullet travel speed after it is fired from your rifle, expressed in "meters per second" (m/s) or "feet per second" (f/s), which can be measured by using professional testing equipment.
- Bullet Wt: refers to the weight of the bullet, expressed in "grams" (g) or "grains" (gr), which can be obtained from the manufacturer's specifications of the bullets purchased.
- Bullet BC: refers to bullet ballistic coefficient which is a measure of the bullet's ability to overcome air resistance in flight. Data can be obtained from the manufacturer's specifications of the bullets purchased.
- Altitude: refers to the altitude of the location, expressed in "meters" (m) or "feet" (ft), which is one of the important indicators affecting air density in ballistic calculation, which can be measured by using professional testing equipment.
- Temperature: refers to the local temperature, expressed in "Celsius" (°C) or "Fahrenheit" (°F), which is also one of the important indicators affecting air density in ballistic calculation, which can be measured by using professional testing equipment.
- Scope Ht: refers to the height difference between the optical axis of the sight and the barrel, expressed in "millimeters" (mm) or "inches" (inch), which can be measured by using professional testing equipment.
- Zero range: refers to the unit distance expressed in "meter" (m) or "yard" (yard), usually set to 100m or 100yds, users can adjust according to their own preferences.
- Point Shape and Color: There are three shape options as well as yellow/green/blue color options to customize the ballistic calculator to suit your personal needs.--配  
下面指示标的类型和颜色



- Rotate the [knob] clockwise to enter the shape and color setting interface.
  - Press [Key 1] to switch between shape options and color sub-options.
  - Rotate the [knob] to select the desired shape and color.
  - Press [Key 4] to confirm and return to the previous page.
- After adjusting your preferred settings, press and hold [Key 1] to save and return to the home screen. Press [Key 4] to exit without saving.

**Note:** 1. By setting the "meter" or "yard" in the range unit selection sub-menu, the metric or imperial units of the parameters related to the ballistic calculator will be updated automatically.

2. If you do not know all or part of this information (for example, bullet weight), we recommend contacting the manufacturer of the ammunition and/or weapon that you are using. In most cases, this information can be found on the manufacturer's specifications of the product purchased.

#### 4. 测距单位选择

通过此功能，可现实测距单位“米”或“码”的切换，满足不同用户的使用偏好。

- 转动旋钮到测距单位选择设置选项，单击旋钮进入子菜单界面；
- 转动旋钮选定“米”或“码 ”后，单击旋钮保存并返回到上一层；

#### 4.Range Unit Selection

Users can switch between "meter" or "yard" and the range unit can be updated instantly to meet the user's preference.

- Rotate the [knob] counterclockwise to move the cursor range unit selection option, and press [Key 1] to enter the sub-menu.
- Rotate the [knob] to choose between "meter" or "yard", then press [Key 1] to save and return to the previous page.



## 5. 十字线归零校准

十字线归零校准指在一个归零距离将瞄准镜的分化中心点与弹着点重合，使在这一特定距离上瞄准点所瞄的位置就是子弹命中点，达到精准射击的作用。

- 转动旋钮到十字线归零校准设置选项，单击旋钮进入子菜单界面；
- 进入参数界面后，单击旋钮切换子选项，转动旋钮调整对应项的值（具体操作说明请见安装步骤中的归零详解）；
- 设置完成后有两种保存方式：1. Save 项下设为“Yes”后，单击旋钮保存并退出；2. 无论 Save 项是何状态，长按旋钮也可保存并退出；

## 5.Reticle Adjustment

Reticle Adjustment refers to aligning the reticle with the point of impact at a zeroing distance, so that the position of the aiming point at this specific distance corresponds with the point of impact of the bullet.

- Rotate the [knob] counterclockwise to move the cursor to the reticle adjustment setting option. Press [Key 1] to enter the sub-menu interface.
- Press [Key 1] to switch sub-menu options. Rotate the [knob] to adjust the value of the corresponding item (please see the detailed instructions from above zeroing steps).
- After selecting your preferred settings, there are two saving methods: 1. Set “Yes” under Save option, press the [Knob] to save and exit. 2. No matter whether “Yes” or “No” under Save option, press and hold the [Knob] also means to save and exit.

## 6.快门校正

探测器芯片使用时本身的温度会影响到设备成像的效果。通过此功能，可在测温系统监测到温度变化超出一定限度时，发出指令合上快门来进行一次自校准操作，以此获得高质量的成像效果。

**自动快门：**系统实时检测探测器芯片的温度值，变化值超过系统设定时，控制快门闭合并暂停图像约 1 秒，进行自校准操作；

**无快门：**系统实时检测探测器芯片的温度值，利用内置算法，实时校准图像。

- 转动旋钮移动光标到快门模式设置选项，单击旋钮进入子选项界面；
- 转动旋钮移动光标选定“自动快门”或“无快门”；
- 单击旋钮保存并返回到上一层；

## 6.Shutter Correction

The heat generated by the detector itself will affect the imaging effect of the device. Through the shutter mode, the device will detect any slight heat changes which exceed a set range, deviation will cause the shutter to automatically close and the device will perform self-calibration. This will improve edge to edge clarity on the image.

**Auto shutter:** The system detects the temperature value of the sensor simultaneously. When the change value exceeds the system setting, the shutter will close and pause the image for about 1 second to perform self-calibration operation.

**Shutterless:** The system detects the temperature value of the detector chip in real time, and uses the built-in algorithm to calibrate the image in real time.

- Rotate the [knob] counterclockwise to move the cursor to the shutter mode setting option, and press [ Key 1] to enter the sub-menu.
- Rotate the [knob] to move the cursor to select "Auto shutter" and "Shutterless" option.
- Press [Key 1] to save and return to the previous page.

## 7.陀螺仪

通过此功能可感知设备的位置状态，显示和校准设备的偏转和俯仰角度。

- 转动旋钮到陀螺仪设置选项，单击旋钮进入子菜单界面；
- 进入后转动旋钮选择“显示”或“校准”，选定后单击旋钮进入；
- “显示”代表在观察界面上是否显示设备的偏转和俯仰角度，转动旋钮选择“关/Off”或“开/On”，选定后单击旋钮确认保存并返回到上一层；
- “校准”代表进入校准状态，选定后请把设备放置在水平面上，单击旋钮进行自动校准，校准完毕后将自动返回到观察界面。

## 7. Gyroscope

This function measures the orientation of the device so that the yaw and pitch angles of the device can be displayed and calibrated.

- Rotate the [knob] counterclockwise to move the cursor to the gyroscope setting option, and press [Key 1] to enter the sub-menu.
- Rotate the [knob] to select "Display" or "Calibration", and then press [Key 1] to enter.
- "Display" indicates whether (or not) to display the yaw and pitch angle of the device on the home screen. Rotate the [knob] to select "Off" or "On", and press [Key 1] to save and return to the menu.
- "Calibrate" means to enter the calibration state. After selecting, please place the device on a horizontal plane surface, and press [Key 1] to perform automatic calibration. After calibration, the device will automatically return to the home screen.

## 8.场景模式

内置“城市”、“丛林”和“雨林”三种场景模式，用户可根据使用场景进行自适应切换，达到最佳的图像显示效果。

- 转动旋钮到场景模式设置选项，单击旋钮进入子选项界面；
- 转动旋钮移动光标选择“城市”、“丛林”或“雨林”模式，选定后单击旋钮保存并返回到上一层；

## 8.Scene

There are three built-in scene modes, "City", "Forest" and "Rain". Users can choose any of the available scenes to achieve the best image display effect.

- Rotate the [knob] counterclockwise to move the cursor to the scene option, press [Key 1] to enter the sub-menu.
- Rotate the [knob] to move the cursor to select "City", "Forest" or "Rain" mode. Press [Key1] to save and return to the previous page.

## 9.画中画

通过此功能可在屏幕顶部中心显示一个被两倍放大的分化区域，以此来放大目标的局部细节，提高瞄准精确度。

- 转动旋钮到画中画设置选项，单击旋钮进入子选项界面；
- 转动旋钮选定“关闭画中画模式”或“打开画中画模式”；
- 选定后单击旋钮保存并返回到上一层；

## 9. Picture in Picture

The top center of the display can show a 2x magnified picture to improve aiming visibility, allowing you to see magnified target details without losing the field of view.

- Rotate the [knob] counterclockwise to move the cursor to the PIP setting option, and press [Key 1] to enter the sub-menu.
- Rotate the [knob] to move the cursor to select "PIP OFF" or "PIP ON".
- Press [Key 1] to save and return to the previous page.

## 10.热点追踪

通过此功能可在屏幕上直接锁定温度最高点，快速跟踪目标热源。

- 转动旋钮移动光标到热点追踪设置选项，单击旋钮进入子选项界面；
- 转动旋钮移动光标选择“关”或“开”；选定后单击旋钮确认保存并返回到上一层；

## 10.Hot Track

The device can detect and display the highest temperature point on the screen, and automatically track this target heat source.

- Rotate the [knob] counterclockwise to move the cursor to the hot track setting option, and press [Key 1] to enter the sub-menu.
- Rotate the [knob] to move the cursor to select “Off” or “On”. Press [Key 1] to save and return to the previous page.

## 11. 射击预录

开启此功能后，设备可智能感知射击瞬间并将射击时刻所在的 20 秒录像画面自动保存在储存卡中。

- 转动旋钮到射击预录设置选项，单击旋钮进入子选项界面；
- 进入后转动旋钮选择“关”、“开”或“冲击敏感度”选项；
- 选定“关”或“开”后单击旋钮确认保存并返回到上一层；
- 选定“冲击敏感度”后单击旋钮进入感应等级子选项菜单，进入后转动旋钮选择“低”、“中”或“高”模式；选定后单击旋钮确认保存并返回到上一层；

## 11. Self-activated Recording

When the device detects recoil, the whole shooting process will be recorded in 20 second intervals. The incremental 20-second video footage will be saved on the TF card.

- Rotate the [knob] counterclockwise to move the cursor to the self-activated recording setting, and press [Key 1] to enter the sub-menu.
- Rotate the [knob] to select “OFF”, “ON” and “Impact Sensitivity” options
- After selecting “Off” or “On”, press [Key 1] to save and return to the previous page.
- After selecting “Impact Sensitivity”, press [Key 1] to enter the sub-option menu of sensitivity level. Rotate the [knob] to select “Off”, “Low”, “Medium” or “High” mode. Press [Key 1] to save and return to the previous page.

## 12. 默认放大倍数

通过此功能可调整屏幕的放大倍数。

- 转动旋钮到默认放大倍数设置选项，单击旋钮进入子选项界面；
- 进入后转动旋钮选择“5.6x”或“11.2x”选项；单击旋钮确认保存并返回到上一层；

## 13. 默认颜色

通过此功能可调整屏幕的显示颜色，用户可根据个人喜好选择显示颜色。

- 转动旋钮到默认颜色设置选项，单击旋钮进入子选项界面；
- 进入后转动旋钮选择“彩色”、“黑白”、“黄色”或“绿色”选项；单击旋钮确认保存并返回到上一层；

## 15. 红外补光灯

通过此功能设置补光灯亮度。

- 转动旋钮到红外补光灯设置选项，单击旋钮进入子选项界面；
- 进入后转动旋钮选择“关”、“一档”、“二档”或“三档”选项；单击旋钮确认保存并返回到上一层；

## 16.自动关机

开启此功能后，设备将以最后一次按键操作作为起始节点，按所设置的关机时长来执行自动关机指令，并在下一次开机后延续此设置。

- 转动旋钮到自动关机设置选项，单击旋钮进入子选项界面；
- 进入后转动旋钮选择“关”、“一分钟”、“十分钟”或“三十分钟”选项；选定后单击旋钮确认保存并返回到上一层，机器即可在设置的时间节点自动关机；

## 16.Auto Power Off

After selecting your preferred time duration, the device will sense the last point of operation before beginning the shutdown. Auto power off will start after the device has been idle then it automatically triggers the auto power off command.

- Rotate the [knob] counterclockwise to move the cursor to select the auto power off setting, and press [Key 1] to enter the sub-menu.
- Rotate the [knob] to select "Off", "One minute", "Ten minutes" or "Thirty minutes" duration options. After selection, press [Key 1] to confirm and save, and return to the previous page.

## 17.自动录影

开启此功能后，设备将启动自动录像并在下一次开机后继续执行此操作。

- 转动旋钮到自动录影设置选项，单击旋钮进入子选项界面；
- 进入后转动旋钮选择“关”或“开”选项，选定后按单击旋钮确认保存并返回到上一层；

## 17..Auto Recording

After auto recording is on, device will start recording and continue to record after the next startup.

- Rotate the [knob] counterclockwise to move the cursor to the auto recording setting option and press [Key 1] to enter the sub-menu.
- Rotate the [knob] to select “Off” or “On” options, press [Key 1] to save and return to the previous page.



## 18.循环录影

通过此功能，可进行自定义分段录像时长设置。当储存卡容量满后，新录像将自动覆盖过往录像文件；当选择为“关”时，将在录满储存卡容量后停止录像，不再自动覆盖最旧的录像文件。

- 转动旋钮到循环录影设置选项，单击旋钮进入子选项界面；
- 进入后转动旋钮选择“关”、“三分钟”、“五分钟”或“十分钟”等时长选项，选定后单击旋钮确认保存并返回到上一层；

## 18. Loop Recording

Users can customize the segment recording duration. This can be set up under loop recording. When the capacity of the memory card is full, the new recording will automatically overwrite the previous saved files. When you select "Off", the recording will stop when the memory card is full, and the oldest video file will not be overwritten.

- Rotate the [knob] counterclockwise to move the cursor to the loop recording setting option, and press [Key 1] to enter the sub-menu.
- Rotate the [knob] to move the cursor to select preferred loop time duration "Off", "Three minutes", "Five minutes" or "Ten minutes". Press [Key 1] to save and return to the previous page.

## 19.日期戳

通过此功能，可在拍照和录像时，设置画面右下角是否显示时间戳。

- 转动旋钮到日期戳设置选项，单击旋钮进入子选项界面；
- 进入后转动旋钮选择“关”或“开”选项，选定后单击旋钮确认保存并返回到上一层；

## 19.Date Stamp

Users can set whether to display the time stamp in the lower right corner of photos and videos taken.

- Rotate the [knob] counterclockwise to move the cursor to the date stamp setting option, and press [Key 1] to enter the sub-menu.
- Rotate the [knob] to move the cursor to select “Off” or “On” options. After selection, press [Key 1] to save and return to the previous page.

## 20.录制音频

通过此功能，可设置录像中是否同步录制音频。

- 转动旋钮到录制音频设置选项，单击旋钮进入子选项界面；
- 进入后转动旋钮选择“关”或“开”选项，选定后单击旋钮确认保存并返回到上一层；

## 20.Record Audio

User can set whether to record audio synchronously in the video.

- Rotate the [knob] counterclockwise to move the cursor to the recording audio setting option, press [Key 1] to enter the sub-menu.
- Rotate the [knob] to move the cursor to select “Off” or “On” option, after selection, press [Key 1] to save and return to the previous page.

## 21.WiFi

通过设备 WiFi 无线连接，可实现移动设备同步观看设备显示屏中的画面。

- 转动旋钮到 WiFi 设置选项，单击旋钮进入子选项界面；
- 进入后转动旋钮选择“关”或“开”选项，选定“关”后单击旋钮保存并返回到上一层，选定“开”后将开启 WiFi 并返回到观察界面；

### 连接移动设备步骤：

- 移动设备上下载 PardVision（安卓系统）（IOS 系统）应用；
- 开启本机和移动设备上的 WiFi 功能；
- 在移动设备上搜索本机 WiFi（本机 WiFi 账号是以 PARD 开头的一串字符，每一台都不一样），找到后输入 WiFi 密码：12345678 即可连接；
- 进入应用程序中操作使用；

### 注：

开启 WiFi 功能后无法打开菜单界面，请长按[ 按键 4 ]关闭 WiFi 后再进入菜单界面。

## 21.WiFi

Through the WiFi connection, you can use your phone, PC or tablet as an external viewfinder enabling users to synchronously see the photos and videos on a larger screen.

- Rotate the [knob] counterclockwise to move the cursor to the WiFi setting option, and press [Key 1] to enter the sub-menu.
- Rotate the [knob] to move the cursor to select "On" or "Off" option. Select "Off", and return to the previous page. Select "On" to enable WiFi and return to the home screen.

### Steps to connect to your mobile device:

- Download "PardVision" from the Apple App Store or the Google Play Store.
- Turn on the WiFi on your device and on your mobile device.
- Search the WiFi on your mobile device (the device WiFi network is a string of characters starting with PARD, which is a unique string of numbers). Please enter the password: 12345678 to connect.
- Enter the application to operate and use.

**Note:** After the WiFi is turned on, you cannot access the menu. Press and hold [Key 4] to disable the WiFi and then enter the menu interface.

## 22.曝光补偿

通过此功能，可设置想要的曝光补偿。

- 转动旋钮到曝光补偿设置选项，单击旋钮进入子选项界面；
- 进入后转动旋钮选择“+2.0”、“+5/3”、“+4/3”、“+1.0”、“+2/3”、“+1/3”、“+0.0”、“-1/3”“-2/3”、“-1.0”、“-4/3”、“-5/3”或“-2.0”等曝光补偿选项，选定后单击旋钮确认保存并返回到上一层；

### 23.语言：

通过此功能，可设置设备的系统语言。

- 转动旋钮到语言设置选项，单击旋钮进入子选项界面；
- 进入后转动旋钮选择想要的语言版本，选定后单击旋钮执行系统语言切换并返回到上一层；

### 23.Language

Users can choose their preferred language.

- Rotate the [knob] counterclockwise to move the cursor to the language setting option, press [OK] to enter the sub-menu.
- Rotate the [knob] to move the cursor to select the desired language. Press [Key 1] to switch the system language and return to the previous page.

### 24: On

通过此功能，可设置设备预览状态下的界面显示设置。

- 转动旋钮到 On 设置选项，单击旋钮进入子选项界面；
- 进入后转动旋钮选择“30SEC”、“1Min”、“3Min”、“5Min”或“10Min”等时间选项，选定后单击旋钮确认保存并返回到上一层；

## 25.日期/时间：

通过此功能，可手动设置设备的系统时间。

- 转动旋钮到日期/时间设置选项，单击旋钮进入子选项界面；
- 进入后转动旋钮调整日期和时间值，单击旋钮切换选项，单击[按键 4]保存并返回到上一层；

## 25.Date/Time

Users can set the system date and time of the device.

- Rotate the [knob] counterclockwise to move the cursor to the date/time setting option, press [Key 1] to enter the sub-menu.
- Rotate the [knob] to adjust the setting date and time value, press [Key 1] to switch options, press [Key 4] to save and return to the previous page.

## 26. 格式化

通过此功能，可清空储存卡内的所有数据。数据删除后无法恢复，请谨慎操作！

- 转动旋钮到格式化设置选项，单击旋钮进入子选项界面；
- 进入后转动旋钮选择“取消”或“确定”选项，选定后单击旋钮确认执行相关操作并返回到上一层；

## 26.Format

If users want to reformat the TF Card, it will delete all the data on the TF card permanently. Data cannot be recovered after reformatting. **Please operate with caution!**

- Rotate the [knob] counterclockwise to move the cursor to the format setting option, and press [Key 1] to enter the sub-menu.
- Rotate the [knob] to move the cursor to select "Cancel" or "OK" option. After selection, press [Key 1] to confirm the relevant operation and return to the previous page.



## 27.盲点补偿

通过盲点补偿功能，能有效补偿探测器上无法正常响应的盲点、死点，从而实现更好的成像画面。

- 转动旋钮移动光标到盲点修复设置选项，单击旋钮进入后可看到提示：**进行盲点修复前请盖上镜头盖!**
- 单击[按键四]即退出；长按旋钮即开始盲点修复，修复完成后转动旋钮移动光标选择备份保存或者取消；

## 27.Blind Pixel Compensation

The blind pixel compensation algorithm enables automatic compensation for blind spots that no longer respond to light and also reduces image distortion.

- Rotate the [knob] counterclockwise to move the cursor to the blind pixel compensation option, press [Key 1] to enter. You will see an important reminder: Please close the lens cap before performing blind pixel compensation process!
- Press [Key 4] to exit. Press and hold [Key 1] to start the blind pixel compensation. After the process is completed, you can rotate the [knob] to move the cursor to backup: "Yes" or "NO".

## 28.恢复默认设置

通过此功能，可将设备内的个性化设置恢复到出厂的默认设置，请谨慎操作！

- 转动旋钮到恢复默认设置选项，单击旋钮进入子选项界面；
- 进入后转动旋钮选择“取消”或“确定”选项，选定后单击旋钮确认执行相关操作并返回到上一层；

## 28.Default Settings

If users decide to reset the device, it will restore the device to the factory default settings and all of the user data and personalized settings will be deleted. **Please operate with caution!**

- Rotate the [knob] counterclockwise to move the cursor to restore default setting option, press [Key 1] to enter the sub-menu.
- Rotate the [knob] to move the cursor to select "Cancel" or "OK" option. After selection, press [Key 1] to confirm the relevant operation and return to the previous page.

## 29.固件升级

通过此功能，可升级系统固件，获得优化的系统固件版本。

- 转动旋钮移动光标到固件升级设置选项，单击旋钮进入子选项界面后，将出现提示语：升级固件可能会对设备造成损坏，请谨慎操作！
- 长按旋钮确定执行升级操作，单击[按键 4]退出并返回到上一层；

**注：**执行该操作时，请给设备装入满电电池并插入 Type-C 供电电源，中途断电可能造成设备部件损坏，请谨慎操作！

## 29.Firmware Upgrade

System firmware can be updated to maintain an optimized current version.

- Rotate the [knob] counterclockwise to move the cursor to the firmware upgrade option, and press [Key 1] to enter the sub-menu. You will see an important reminder:  
Upgrading firmware may cause damage to the equipment, please operate with caution!
- Press and hold [Key 1] to confirm and press [Key 4] to exit and return to the previous page.

**Note:** When performing this operation, please load the device with a fully charged battery and type-C power supply. Powering off the device during the firmware update process may cause damage to the device components. Please operate with caution.

### 30.版本

通过此功能，可查看设备的版本号。

- 转动旋钮到版本选项，单击旋钮进入子选项界面即可查看；
- 再次单击旋钮即可返回到上一层；

### 30.Version

This function displays the device's version.

- Knob the [knob] counterclockwise to move the cursor to the version option, press [Key 1] to enter the sub-menu to view.
- Press [Key 1] again to exit and return to the previous page.

## FCC WARNING

This device complies with part 15 of the FCC Rules. Operation is subject to the following two conditions: (1) This device may not cause harmful interference, and (2) this device must accept any interference received, including interference that may cause undesired operation.

Note: This equipment has been tested and found to comply with the limits for a Class B digital device, pursuant to part 15 of the FCC Rules. These limits are designed to provide reasonable protection against harmful interference in a residential installation. This equipment generates, uses and can radiate radio frequency energy and, if not installed and used in accordance with the instructions, may cause harmful interference to radio communications. However, there is no guarantee that interference will not occur in a particular installation. If this equipment does cause harmful interference to radio or television reception, which can be determined by turning the equipment off and on, the user is encouraged to try to correct the interference by one or more of the following measures:

- Reorient or relocate the receiving antenna.
- Increase the separation between the equipment and receiver.
- Connect the equipment into an outlet on a circuit different from that to which the receiver is connected.
- Consult the dealer or an experienced radio/TV technician for help.

Note: The Grantee is not responsible for any changes or modifications not expressly approved by the party responsible for compliance. such modifications could void the user's authority to operate the equipment.

The device has been evaluated to meet general RF exposure requirement.

This equipment complies with FCC's RF radiation exposure limits set forth for an uncontrolled environment. This device and its antenna(s) must not be co-located or conjunction with any other antenna or transmitter.

