



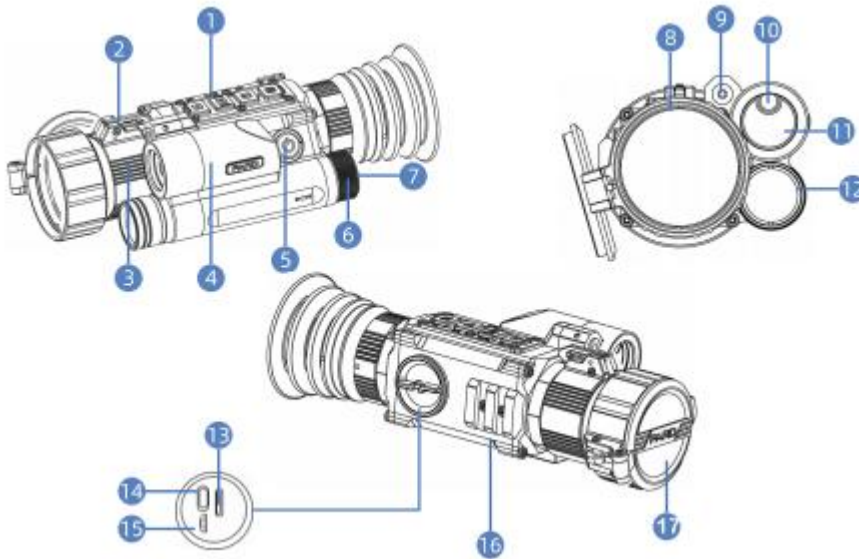
Thermal Imaging Camera

SA3

Quick Start Guide

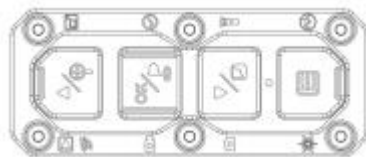
Shenzhen Pard Technology Co.,Ltd

## Components and Controls



No.	Name	No.	Name	No.	Name
1	Button panel	7	Battery cap	13	TF card slot
2	Focus lever	8	Objective lens	14	Type C- charging port
3	Lens focus ring	9	Red dot pointer	15	HDMI port
4	Range finder (LRF model)	10	Range emitter	16	Picatinny rail
5	Power/Sleep	11	Range receiver	17	Lens cap
6	Diopter Focus	12	Illuminator		

## Shortcut Mode



		Single Press	Long Press	Double Press
Key 1		up / zoom in/(PIP)	file /(turn off Wi-Fi)	shutter correction
Key 2		OK/range detection/ B.C function	record video / save video	-
Key 3		down / switch image mode	take a photo	turn on/off illuminator

Key 4		menu	red dot pointer/PIP/back	switch scene mode
-------	--	------	-----------------------------	----------------------

## Explanation:

### Key 1

#### 1. Single Press:

- ① Home screen mode: press [+] to magnify the screen 1/2/4/6/8 times.
- ② Menu mode: press [+] to scroll up and adjust the relevant option settings.

#### 2. Long Press:

- ① Home screen mode: long press to view video and picture files saved in the memory card:
  - Press [+/-] to switch files.
  - Press [OK] to play/pause the saved videos.
  - When playing videos, press [+/-] to fast forward or rewind 2/4/8 times.
  - Press [Menu] to access the following settings; Delete, File Protection and Slide Show.
  - Long press [Menu] to return.
- ② Menu interface cannot be opened when the Wi-Fi is turned on, please long press [+] to turn off the Wi-Fi and then enter the menu interface.

#### 3. Double Press:

Home screen mode: double press [+] to start the shutter adjustment function.

### Key 2

#### 1. Single Press:

- ① Home screen mode:
  - Press [OK] to start the range detection function, for LRF version, the distance is measured automatically.
  - The standard version will display "0m" or "0yds". Please note that distance is not measured automatically and you need to manually input the target distance value.
  - Press the second time to turn on the B.C indicator (when the B.C function is turned off, the range indicator is turned off).
  - Press the third time to turn off the B.C indicator; (when the B.C function is turned on).

#### 2. Long Press

- ① Home screen mode: long press [OK] to enable the recording function, and long press the [OK] again to save the video and exit.
- ② Menu mode pressing [OK] in menu mode confirms or saves the function.

### Key 3

#### 1. Single Press:

- ① Home screen mode: press [-] to switch the display mode: White hot/sky/edge/black hot/red

hot/iron mode.

② Menu mode: press [-] to scroll down or adjust the relevant option settings.

### **2.Long Press**

Long press [-] to take a photo.

### **3.Double Press:**

Double press [-] to turn on the illuminator and double press [-] again to turn off the illuminator.

## **Key 4**

### **1.Single Press**

Home screen mode: press [Menu] to open/close the menu interface.

### **2. Long Press**

Home screen mode: long press [Menu] to enable/disable the red dot indicator (after the PIP shortcut key mode is turned on, the red dot indicator shortcut key is replaced by the PIP shortcut key).

### **3.Double Press**

Home screen mode: double press [Menu] to switch between city/forest/rain scene modes.

## **Product Installation Steps**

### **1)Battery Installation**

(1) Unscrew the battery cap counter-clockwise and pull out the battery.



(2) Tear off the insulating tape on the positive terminal of the battery.



(3) Insert the battery, ensure the positive (+) side goes in first and tighten the battery cap in a clockwise direction.

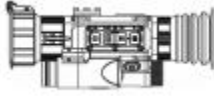


(4) Long press the power button for about 3 seconds to power the device. The power indicator will light up and the device is ready for use.



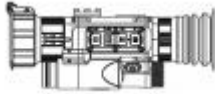
## 2) Diopter Focusing

Rotate the diopter focusing wheel until you can see the screen clearly.



## 3) Objective Lens focusing

Adjust the objective focusing wheel until you can see the target image clearly.



## 4) Compass Calibration

Please use the "figure 8 pattern method" as shown in the figure below to calibrate the compass.



## Key Features

- Aluminum alloy machine body, compact and durable.
- B.C function.
- 12um, NETD $\leq$ 25mK, 50 Hz Thermal Image Sensor.
- Infrared Image Enhancement Algorithm: IREA.
- 1200M LRF.
- Self-Activated Recording.
- Loop Recording.
- Shutter Correction.
- Hot Track.
- Blind Pixel Compensation
- Three Scene Modes: City / Forest / Rain.
- Wi-Fi

## Packaging Contents

	<b>Contents</b>	<b>Quantity</b>
1	Thermal imaging device	1
2	3.7V 18650 rechargeable lithium-ion battery (inside the battery compartment)	1
3	Carry case	1
4	Velvet drawstring pouch	1
5	Shoulder strap	1
6	Type-C cable	1
7	Metal mount	1
8	Allen wrench (D4.0mm)	1
9	Mount tightening screw (KM*10mm)	3
10	Allen wrench (D1.5mm)	1
11	Red dot adjustment screw (M3*3mm)	2
12	Shim 1 (15*8.5*0.1mm)	1
13	Shim 2 (15*8.5*0.2mm)	1
14	Quick start guide / User manual	1
15	After sales card	1

## Specifications

Model	SA32/SA32 LRF		SA62/SA62 LRF				
Sensor	12μm, 384*288		12μm, 640*480				
Objective lens (mm)	19/25/35/45		25/35/45				
Field of view (HxV)	Horizontal: 13.8°/10.5°/7.5°/5.9° Vertical: 10.4°/7.9°/5.6°/4.4° Diagonal: 17.2°/13.1°/9.4°/7.3°		Horizontal: 17.5°/12.5°/9.7° Vertical: 13.1°/9.4°/7.3° Diagonal: 21.7°/15.6°/12.2°				
Optical Magnification(x)	2/2.6/3.7/4.7		1.6/2.2/2.8				
Human detection distance(m)	800/1100/1400/1700		1200/1500/1800				
Vehicle detection distance(m)	1800/2200/2600/3000		2500/2900/3300				
Product dimension(L x W x H, mm)	SA32:195*77*56mm SA32 LRF:195*79*59mm		SA62:195*77*56mm SA62 LRF:195*79*59mm				
N.W/pcs (without battery, g)	SA32 :425g SA32 LRF :455g		SA62 :425g SA62 LRF :455g				
General Parameters							
Resolution (px)	1024*768	Digital zoom(x)	2X/4X/8X	Degree of protection	IP67	Operating time(h)	≤5h
NETD(mk)	≤25 (0.025℃)	Reticle	6 styles, 4 colors	Scene mode	City/Rain/ Forest	Battery type	Lithium Ion 18650*1
Storage (GB)	TF card (128, Max)	Photo Resolution (px)	2592*1944	Video resolution px	1024*768	Frame rate	50Hz

## Cautions

1. Please remove the insulating tape on the battery before first use. It is recommended to use a fully charged lithium-ion battery with a rated voltage of 3.7V.
2. Always turn off the device when it's not in use. If you are planning on not using the device for more than 10 days, remove the battery and store it in a safe place.
3. Be extra cautious and handle the device with care during use or transportation, it is recommended to use the original packaging during transportation.
4. Do not look directly at the red dot pointer to avoid eye damage when in use.
5. Do not use the device to focus directly at strong sources of light such as the sun or electric welding. Damage from such will void the warranty.
6. Avoid lens scratches and damage caused by oil or chemical contamination of the lens. Keep the lens cap on when not in use.
7. The device should be placed in a cool, dry and ventilated environment without strong electromagnetic fields, and the storage environment temperature should not be lower than -20°C or higher than 40°C.
8. Do not disassemble the device without authorization. If there is a fault, please contact our after sales team in time and register the faults on our official website. Failure to do so will be regarded as a waiver of the warranty service.

## FCC WARNING

This device complies with part 15 of the FCC Rules. Operation is subject to the following two conditions: (1) This device may not cause harmful interference, and (2) this device must accept any interference received, including interference that may cause undesired operation.

Note: This equipment has been tested and found to comply with the limits for a Class B digital device, pursuant to part 15 of the FCC Rules. These limits are designed to provide reasonable protection against harmful interference in a residential installation. This equipment generates, uses and can radiate radio frequency energy and, if not installed and used in accordance with the instructions, may cause harmful interference to radio communications. However, there is no guarantee that interference will not occur in a particular installation. If this equipment does cause harmful interference to radio or television reception, which can be determined by turning the equipment off and on, the user is encouraged to try to correct the interference by one or more of the following



measures:

—Reorient or relocate the receiving antenna.

—Increase the separation between the equipment and receiver.

—Connect the equipment into an outlet on a circuit different from that to which the receiver is connected.

—Consult the dealer or an experienced radio/TV technician for help.

Note: The Grantee is not responsible for any changes or modifications not expressly approved by the party responsible for compliance. such modifications could void the user's authority to operate the equipment.

The device has been evaluated to meet general RF exposure requirement.

This equipment complies with FCC's RF radiation exposure limits set forth for an uncontrolled environment. This device and its antenna(s) must not be co-located or conjunction with any other antenna or transmitter.

E-mail: [info@pard-tech.com](mailto:info@pard-tech.com)

Telephone: 400-099-2599

Website: [www.pard.com](http://www.pard.com)

Address: No. 328 Baoshi East Road, Shiyan, Baoan, District, Shenzhen, China