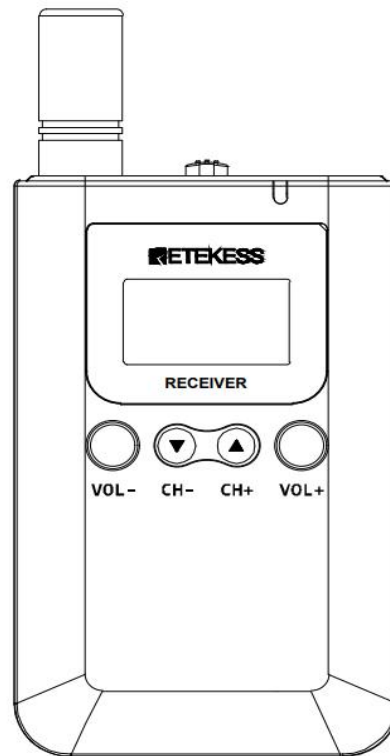
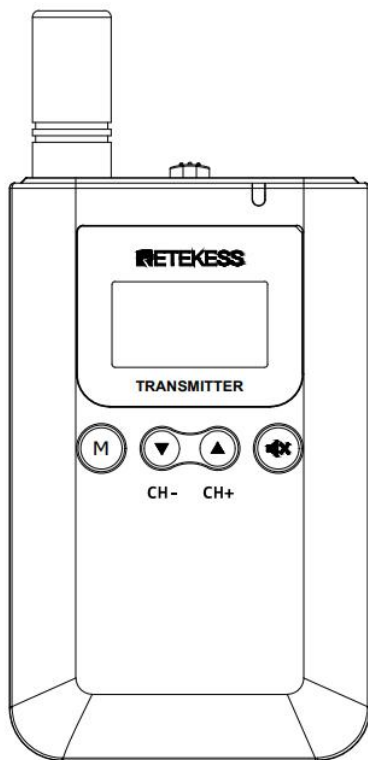


Wireless Transmission System

TT125



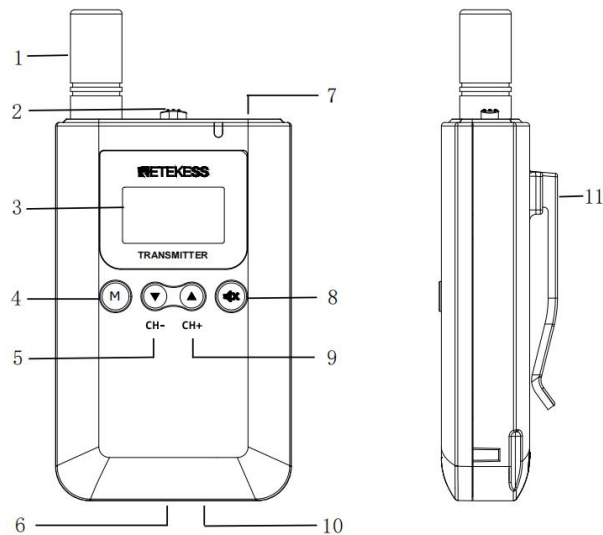
Directory

Transmitter	3
Schematic diagram	3
Specification parameter	3
Receiver	4
Schematic diagram	4
Specification parameter	4
Function description	5
Turn on/Turn off	5
Transmitter	5
Unlock	5
Lock	5
Channel regulation	5
MuteFunction on	5
MuteFunction off	6
One-button shutdown	
Receiver	
Unlock	6
Lock	6
Channel regulation	6
Mute setting	
Volume adjustment	6
Automatic shutdown	7
Manually set up pairing connections	
Transmitter setting	7
Receiver setting	7
Automatically initiate search and pairing connections	7
Transmitter setting	7
Receiver settings	8
Appendix	8

o

Transmitter

Schematic diagram



1,Transmitting antenna

3,Display screen

5,CH-: channel minus button

7,3.5MM MIC microphone interface

9,CH+: channel plus button

11,Back clip

2,ON/LOCK/OFF Switch

4,M Key: One-key pairing button

6,Type-C Interface

8,One-button mute button

10,Charging contact(charging box)

Specification parameter

1.Operating frequency:2.4 GHz, support up to 999 communication channels

2.Operating current:240mA,Operating voltage: 3.7 V

3.Charging method: USB charging cable charging, charging current is 1A, 4H full. Use the charging box to charge, the charging current is 240mA, and it takes about 12 hours to fully charge.

4. Noise reduction: Support

5.Operating temperature:-20° ~ +70°

6.Microphone: Collar clip omni-directional microphone

7.Distance:50-150m

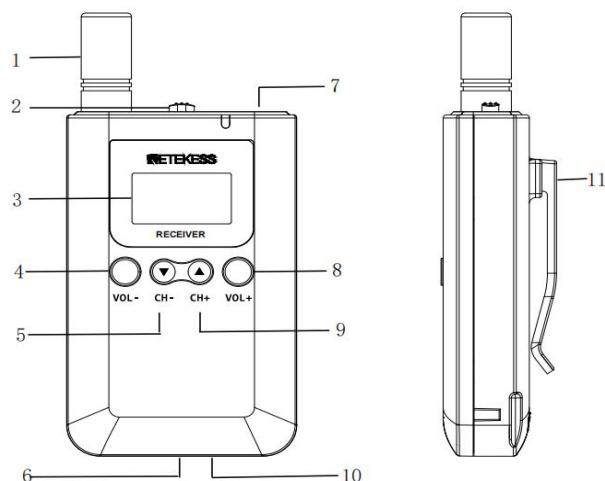
8.Endurance: About 18H

9.Dimensions:114.8mm(L) *54.8mm (W) *20.6mm (H).

10.Battery capacity:3000mAh

Receiver

Schematic diagram



- | | |
|------------------------------|------------------------------|
| 1, Antenna | 2, ON/LOCK/OFF Switch |
| 3, Display screen | 4, VOL-: volume minus button |
| 5, CH-: channel minus button | 6, Type-C charging port |
| 7, 3.5 mm headphone jack | 8, VOL+: volume plus button |
| 9, CH+ Channel plus button | 10, Charging contact point |
| 11, Back clip | |

Specification parameter

1. Frequency of operation: 2.4 GHz, support up to 999 communication channels
2. Receiving sensitivity: -106dBm.
3. Operating current: 27mA.
4. Charging method: USB charging cable charging, charging current is 1A, 4H full. Use the charging box to charge, the charging current is 240mA, and it takes about 12 hours to fully charge.
5. Operating temperature: $-20^{\circ} \sim +70^{\circ}$
6. Headphones: 32Ω, D-shaped.
7. Receiving distance: 50-150m
8. Endurance: About 100H.
9. Dimensions: 114.8 mm (L) * 54.8 mm (W) * 20.6 mm (H)
10. Battery capacity: 3000mAh 3.7 V

Function description

Turn on/Turn off/Lock

1. Toggle the switch on the top of the product to "ON" to turn it on; to "LOCK" to mean the channel is locked; to "OFF" to turn it off;
2. When the product is in the LOCK state, all the buttons of the product are locked; the function of the buttons cannot be unlocked until it is turned to "ON";
3. If the product is in the "ON" state, it will enter the locked state after 30 seconds without any operation; if there is no operation for 30 seconds, the product will enter the off-screen state; if the product is in the "LOCK" state, it will enter the locked state after 30 seconds. In the case of human operation, it will enter the off-screen state after 30 seconds;
4. When the transmitter is in the "LOCK" state, the one-button mute function of the product is not locked; when the receiver is in the "LOCK" state, the VOL-/VOL+ function of the product is not locked;

Transmitter

Unlock

Turn the toggle switch to the "ON" position, the product is unlocked, and all buttons can operate normally.

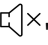
Lock

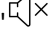
Turn the toggle switch to "LOCK" Gear, the product is in a locked state; Or the product is in an unmanned state, 30s it automatically enters the locked state after seconds. In this state, Do not lock "One-button mute" key function;

Channel adjustment

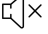
In the unlocked state, short press the "CH+" or "CH-" button to change the channel. Long press the "CH+" or "CH-" button to quickly increase/decrease the channel in the form of tens.

Mute Function on

In the unlocked state, press "" to turn on mute function, the screen will display the icon

"", the receiver can no longer receive the voice signal from the transmitter.

Mute Function off

Press the "" button in the mute state, the mute function will be turned off, and then the receiver can normally receive the voice signal from the transmitter.

One-key pairing

In the unlocked state, long press the "M" key to enter the code pairing mode, the channel display will flash slowly, and at this time it can be paired with the receiver; short press the "M" key to exit the code pairing mode;

Receiver

Unlock

Turn the toggle switch to "ON"Gear, the product is unlocked, and all buttons can operate normally.

Lock

Turn the toggle switch to the "LOCK" gear, the product is in the locked state; or the product is in the state of no one operation, after 30s, the button will be automatically locked, and the product will enter the locked state. In this state, the VOL+/VOL- function is not locked.

Channel regulation

In the unlocked state, short press the "CH+" or "CH-" button to change the channel. Long press the "CH+" or "CH-" button to quickly increase/decrease the channel in the form of tens.

Volume adjustment

By pressing "VOL +" Or "VOL-" key for volume adjustment,there are a total of ten volume levels and the gear range spans from 0-9. (every time the device is turned on, the volume defaults to 4 levels).

Automatic shutdown

The device will automatically shut down after 10min if no signal is detected.

Automatic search and pair connection

Make sure the transmitter is connected to the microphone or AUX audio cable, and the receiver is connected to the earphone

Transmitter setting

When the transmitter is unlocked, short press the "CH+" or "CH-" key to adjust the channel, and set the channel to the channel you want, such as CH:50.

Receiver settings

When the receiver is unlocked, short press the "CH+" or "CH-" button to adjust the channel, and set the channel synchronization to CH:50; then wait for code pairing with the transmitter,

when the "📶" icon is displayed on the screen and the connection is successful, then you can

The receiver emits an audio signal from the transmitter. Please note: the receiver must be within the effective communication distance of the product and on the same channel in order to successfully pair with the transmitter.

Automatically search and pair connections

Make sure the transmitter is connected to a microphone or AUX audio cable, and the receiver is connected to headphones.



Transmitter setting

In the unlocked state, press "CH +"Or"CH-"Key to adjust the channel, and set the channel to the channel you want, such as CH: 50.

Long press "M"Key, enter the code alignment mode, and display on the screen"CH:50" slow flicker, when the transmitter is waiting for the receiver to search for a pair of codes.

After successful code alignment, press the transmitter "M"Key or any other key to exit code alignment mode.

Receiver settings

There is no need to operate the receiver under automatic code pairing. It is only necessary to bring the unlocked receiver within the effective distance close to the transmitter, and the receiver will automatically perform code pairing with the transmitter. At this time, the " " icon and " " icon are displayed alternately on the screen. After the code is successfully matched, the channel number will automatically jump to the current channel set by the transmitter, such as CH:50. After the code connection is successful, you can listen to the audio signal from the transmitter.

When the screen is off, the screen will light up after the code pairing is successful.

Note: The distance is controlled within 5m when pairing codes.

Appendix:

LCD Display Screen Icon Definition

1. Start-up welcome icon: When the transmitter or receiver is turned on normally, an icon with the word "Welcom" will pop up on the screen;
2. Channel number icon: When the transmitter or receiver is working normally, the current channel number will be displayed on the screen, such as CH:10.
3. Signal tower icon: When the transmitter or receiver is working normally and stably within the effective distance, this icon is always on; when the signal is lost or in an unstable state, this icon is in a slow flashing state;
4. Battery icon: Indicates the current battery status of the product;
5. Lock status icon: indicates that the product itself is locked;
6. Mute icon: Indicates that the transmitter is now in a mute state - unable to transmit voice signals to the receiver;

This device complies with part 15 of the FCC Rules. Operation is subject to the following two conditions: (1) this device may not cause harmful interference, and (2) this device must accept any interference received, including interference that may cause undesired operation.

Any changes or modifications not expressly approved by the party responsible for compliance could void the user's authority to operate the equipment.

NOTE: This equipment has been tested and found to comply with the limits for a Class B digital device, pursuant to Part 15 of the FCC Rules. These limits are designed to provide reasonable protection against harmful interference in a residential installation. This equipment generates, uses and can radiate radio frequency energy and, if not installed and used in accordance with the instructions, may cause harmful interference to radio communications. However, there is no guarantee that interference will not occur in a particular installation.

If this equipment does cause harmful interference to radio or television reception, which can be determined by turning the equipment off and on, the user is encouraged to try to correct the interference by one or more of the following measures:

- Reorient or relocate the receiving antenna.
- Increase the separation between the equipment and receiver.
- Connect the equipment into an outlet on a circuit different from that to which the receiver is connected.
- Consult the dealer or an experienced radio/TV technician for help.

To maintain compliance with FCC's RF Exposure guidelines, This equipment should be installed and operated with minimum distance between 0 cm the radiator your body: Use only the supplied antenna.