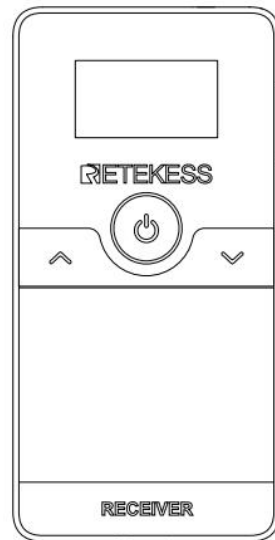
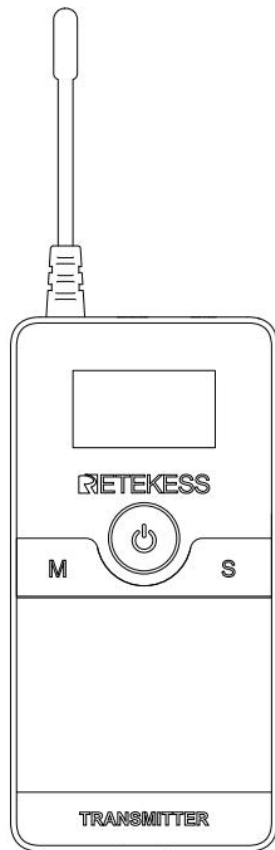


# TT116 Instruction Manual

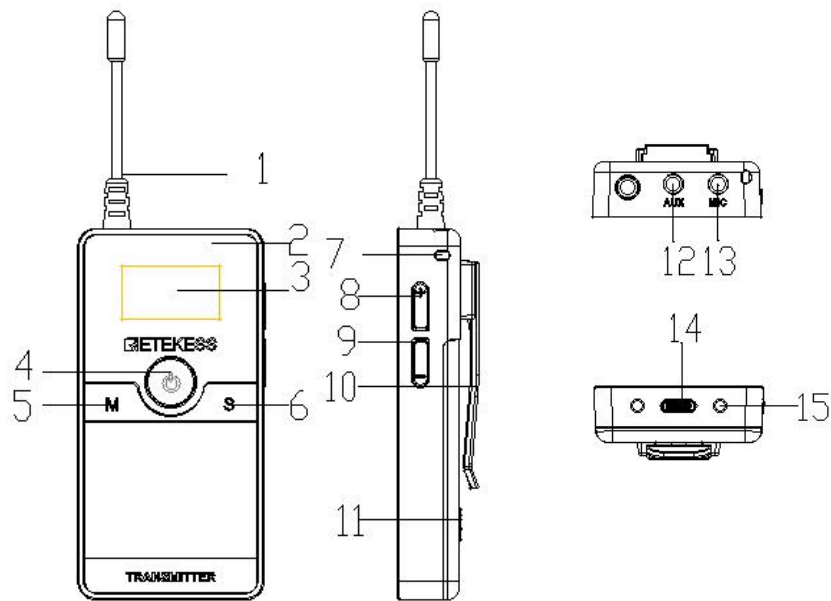


## Catalog

Transmitter .....	错误! 未定义书签。
Schematic diagram .....	错误! 未定义书签。
Specification parameters .....	错误! 未定义书签。
Receiver .....	错误! 未定义书签。
Schematic .....	错误! 未定义书签。
Specification parameters .....	错误! 未定义书签。
Function description .....	错误! 未定义书签。
Power on/off .....	错误! 未定义书签。
Transmitter .....	错误! 未定义书签。
Unlock .....	错误! 未定义书签。
Lock .....	错误! 未定义书签。
Channel conditioning .....	错误! 未定义书签。
Mute function on .....	6
Mute function off .....	错误! 未定义书签。
One click shutdown .....	错误! 未定义书签。
Receiver .....	错误! 未定义书签。
Unlock .....	错误! 未定义书签。
Lock .....	错误! 未定义书签。
Channel conditioning .....	错误! 未定义书签。
Mute settings .....	错误! 未定义书签。
Volume adjustment .....	错误! 未定义书签。
Auto shutdown .....	错误! 未定义书签。
Manually set up a pairing connection .....	错误! 未定义书签。
Transmitter settings .....	错误! 未定义书签。
Receiver settings .....	错误! 未定义书签。
Automatic search and pairing of connections .....	错误! 未定义书签。
Transmitter settings .....	错误! 未定义书签。
Receiver settings .....	错误! 未定义书签。

# Transmitter

## Schematic



- |  |  |
|--|--|
| 1, Transmitting antenna                  | 2, Charging indicator (red light means charging, green light means full) |
| 3, Display                               | 4, Power button  |
| 5, M button                              | 6, S button  |
| 7, Lanyard mouth                         | 8, + button  |
| 9, - button                              | 10, Back clip  |
| 11, Battery cover                        | 12, AUX jack   |
| 13, MIC jack                             | 14, Type-C charging hole   |
| 15, Charging contact of the seat charger |  |

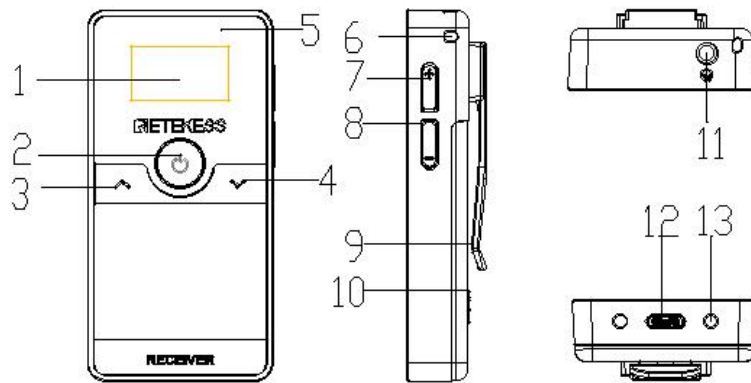
## Specification parameters

1. Operating frequency
  - a) Europe: 823~832Mhz, 863~865Mhz, 50 channels.
  - b) America: 902-928Hhz, 50 channels.
2. Transmitting power: 30~35mW.
3. Operating current: 100mA.
4. Charging method: Charging cradle or USB-type C, charging current 390mA, 2.5H fully charged.
5. Noise reduction function: Support.
6. Operating temperature: -20 ° ~ +70 °

- 7. Microphone: omnidirectional microphone
- 8. Transmitting distance: 200m
- 9. Endurance: 10hours
- 10.Size: 150mm(L)\*45mm(W)\*15mm(H)
- 11.Battery capacity: 1000mAh 3.7V

## Receiver

### Schematic diagram



- |  |                          |
|--|--------------------------|
| 1, Display screen  | 2, Power button          |
| 3, UP button   | 4, DOWN button           |
| 5. Charging indicator (red light means charging, green light means full) | 6. Lanyard port          |
| 7, + button  | 8, - button              |
| 9, Back clip   | 10, Battery rear cover   |
| 11, Headphone jack   | 12, Type-C charging hole |
| 13. Charging contact of the seat charger                                 |                          |

### Specifications

- 1. Working frequency:
  - a) Europe: 823~832Mhz, 863~865Mhz, 50 channels.
  - b) United States: 902-928Mhz, 50 channels.
- 2. Receive sensitivity: -106dBm.
- 3. Working current: 70mA.
- 4. Charging method: Charging method: charging stand or USB-type C cable, charging current

390mA, 2.5H fully charged.

5. Working temperature: -20°~+70°

6. Earphone: 32Ω, D-shaped earhook.

7. Receiving distance: 200 meters.

8. Battery life: 13hours.

9. Size: 90mm(L)\*45mm(W)\*15mm(H)

10. Battery capacity: 1000mAh 3.7V

## Function description

### Power on/off

Long press the "🔌" button to turn on the power; in the power-on state, long press the "🔌" button to turn off.

### Transmitter

### Unlock

Press and hold the "M" and "S" keys at the same time, the "🔒" icon on the screen disappears to unlock.

### Lock

In unlocked state, no operation within 30s will automatically lock the button, the screen displays "🔒" icon.

After 30s, the screen will automatically turn off. At this time, press any key to light up the screen.

## Channel conditioning

In the unlocked state, short press the "+" or "-" key to change the channel.

## Mute function on

In the unlocked state, short press the "🔇" button, the Mute function will be turned on and the icon "🔇" will be displayed, the receiver can not receive voice signals.

## Mute function off

In the unlocked state, short press the "🔇" button, the Mute function will be turned off and the icon "🔊" will be displayed, the receiver can receive the voice signal.

## One key shutdown

In the unlocked state, press and hold the "S" button to enable the one-button shutdown function, the screen will display the "🔌" icon, and remotely turn off all the receivers that have successfully paired with it.

## Receiver

### Unlock

Press and hold the "⤴" and "⤵" keys at the same time to unlock, the "🔒" icon will disappear.

### Lock


In the unlocked state, no operation within 30s will automatically lock the button, and the "🔒" icon will be displayed on the screen.

The screen will automatically turn off after another 30s. At this time, press any key to light up the screen.

## Channel conditioning

In the unlocked state, short press the "^" or "v" key to change the channel.

## Mute settings

In the unlocked state, long press the "^" button to mute, and the " " icon will be displayed; press and hold the "^" button again to exit the mute mode and restore the original volume level;

## Volume adjustment

By short pressing the "+" or "-" button to adjust, there are 10 levels of volume, ranging from 0 to 9 (every time you turn on the volume, the default volume is 5 levels).

## Automatic shut-down

Automatically shut down after 10 minutes without signal.

## Manually set up a pairing connection


Make sure the transmitter is connected to a microphone or AUX audio cable, and the receiver is connected to headphones.

## Transmitter settings

In the unlocked state, short press the "+" or "-" key to adjust the channel, such as CH:50.

## Receiver settings

In the unlocked state, short press the "^" or "v" button to adjust the channel, such as CH:50.

The receiver displays the " " icon means connect successfully, then you can listen to the audio signal from the transmitter.

## Automatic search and pair connection

Make sure the transmitter is connected to a microphone or AUX audio cable, and the receiver is connected to headphones.

### Transmitter settings

In the unlocked state, short press the "+" or "-" key to adjust the channel, such as CH:50.

Press and hold the "M" button to enter the pairing mode, the screen will display "channel number (such as CH: 50)" and flashing, waiting for the receiver to search for the code. Short press the "M" key or "⏻" key to exit the code pairing mode after successful code pairing.

### Receiver settings

There is no need to operate the receiver under automatic code pairing. The receiver will automatically enter the code pairing state when it is not connected. At this time, the "🔍" icon and "📶" icon are displayed alternately on the screen. After the code pairing is successful, the channel number will automatically jump to the transmitter. The current setting channel of the device, such as automatic search jumps to CH:50, in the off-screen state, the screen will light up once after the code is successfully paired. After the connection is successful, you can listen to the audio signal from the transmitter.

**Note: The distance is controlled within 5m when pairing codes.**



## FCC Warning

This device complies with part 15 of the FCC Rules. Operation is subject to the following two conditions: (1) This device may not cause harmful interference, and (2) this device must accept any interference received, including interference that may cause undesired operation.

Any Changes or modifications not expressly approved by the party responsible for compliance could void the user's authority to operate the equipment.

**Note:** This equipment has been tested and found to comply with the limits for a Class B digital device, pursuant to part 15 of the FCC Rules. These limits are designed to provide reasonable protection against harmful interference in a residential installation. This equipment generates uses and can radiate radio frequency energy and, if not installed and used in accordance with the instructions, may cause harmful interference to radio communications. However, there is no guarantee that interference will not occur in a particular installation. If this equipment does cause harmful interference to radio or television reception, which can be determined by turning the equipment off and on, the user is encouraged to try to correct the interference by one or more of the following measures:

- Reorient or relocate the receiving antenna.
- Increase the separation between the equipment and receiver.
- Connect the equipment into an outlet on a circuit different from that to which the receiver is connected.
- Consult the dealer or an experienced radio/TV technician for help.

The device has been evaluated to meet general RF exposure requirement. The device can be used in portable exposure condition without restriction.