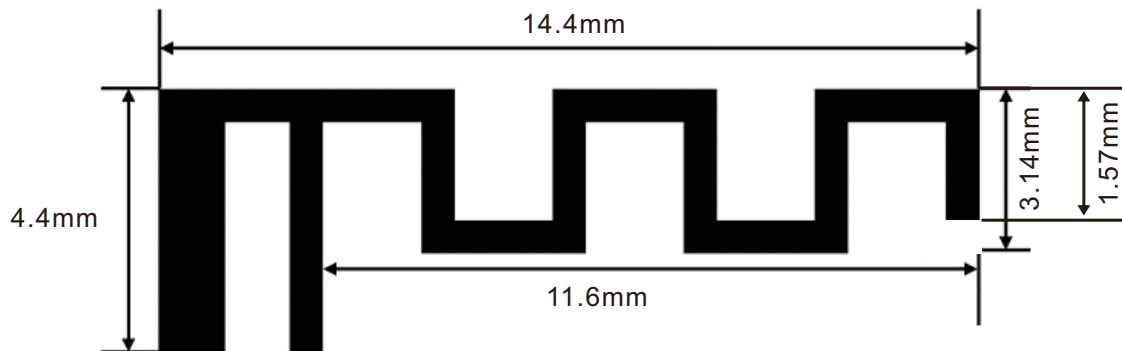


## Inverted F Antenna Specification

### Summary

|                      |                                 |         |         |          |         |         |
|----------------------|---------------------------------|---------|---------|----------|---------|---------|
| ITEM                 | ANT SPEC                        |         |         |          |         |         |
| Model Name           | 2.4G ANT                        |         |         |          |         |         |
| Center Frequency     | Horizontal                      |         |         | Vertical |         |         |
|                      | 2400MHz                         | 2400MHz | 2500MHz | 2400MHz  | 2400MHz | 2500MHz |
|                      | -1.26                           | -0.76   | -0.58   | -5.25    | -2.46   | -1.86   |
| MAX. Gain            | -0.58dBi                        |         |         |          |         |         |
| Polarization         | Horizontal and Vertical         |         |         |          |         |         |
| Azimuth Beam Pattern | Omni-directional                |         |         |          |         |         |
| Impedance            | 50 Ohm                          |         |         |          |         |         |
| Antenna Length       | 38.20mm                         |         |         |          |         |         |
| Manufacture          | ZHUHAI JIELI TECHNOLOGY CO.,LTD |         |         |          |         |         |

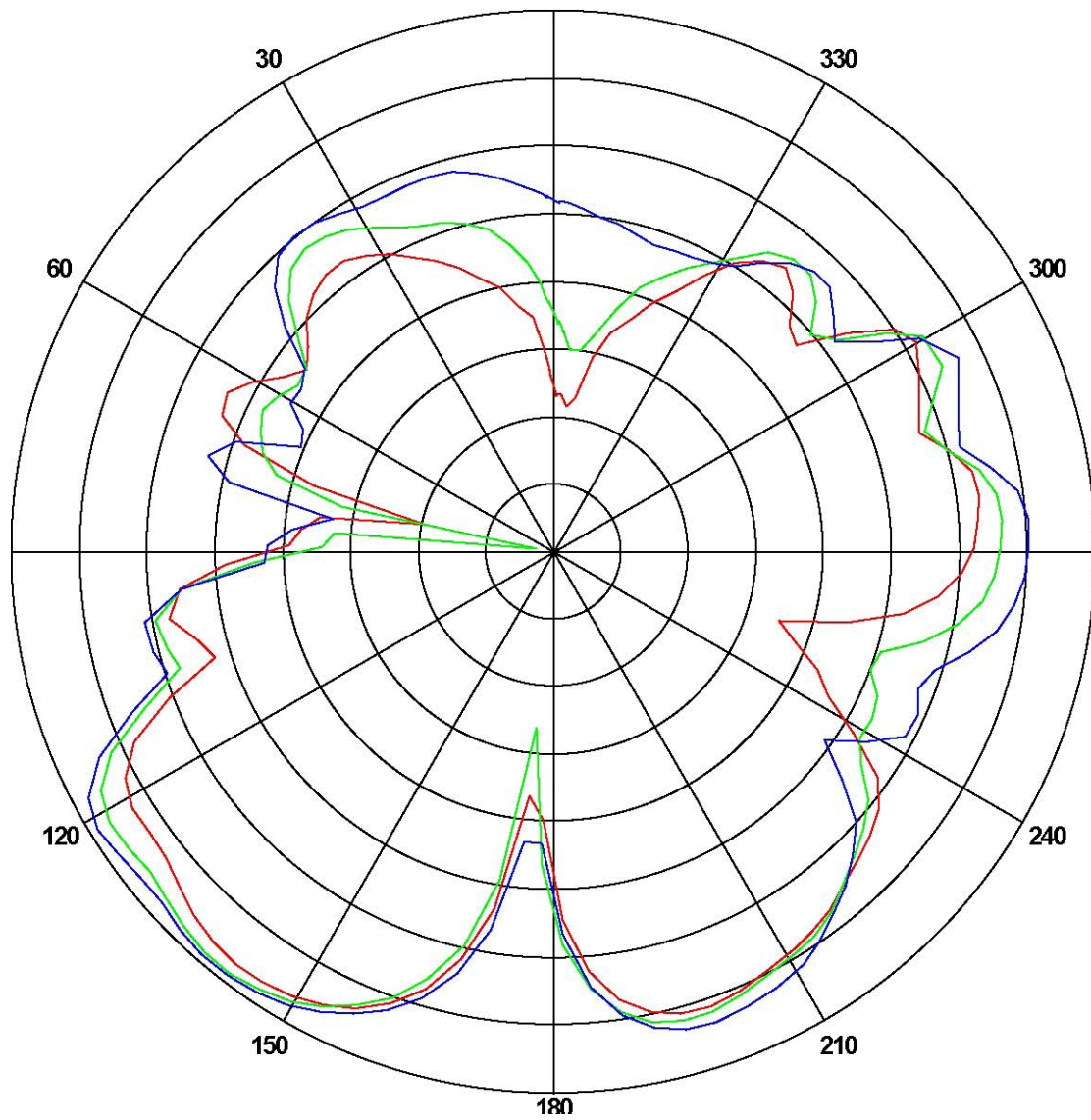
Antenna Photo & Length (mm)



Horizontal: 2400 MHz 2450 MHz 2500 MHz

Power (dBm)

Max: 0 Min: -40 Scale: 5/div

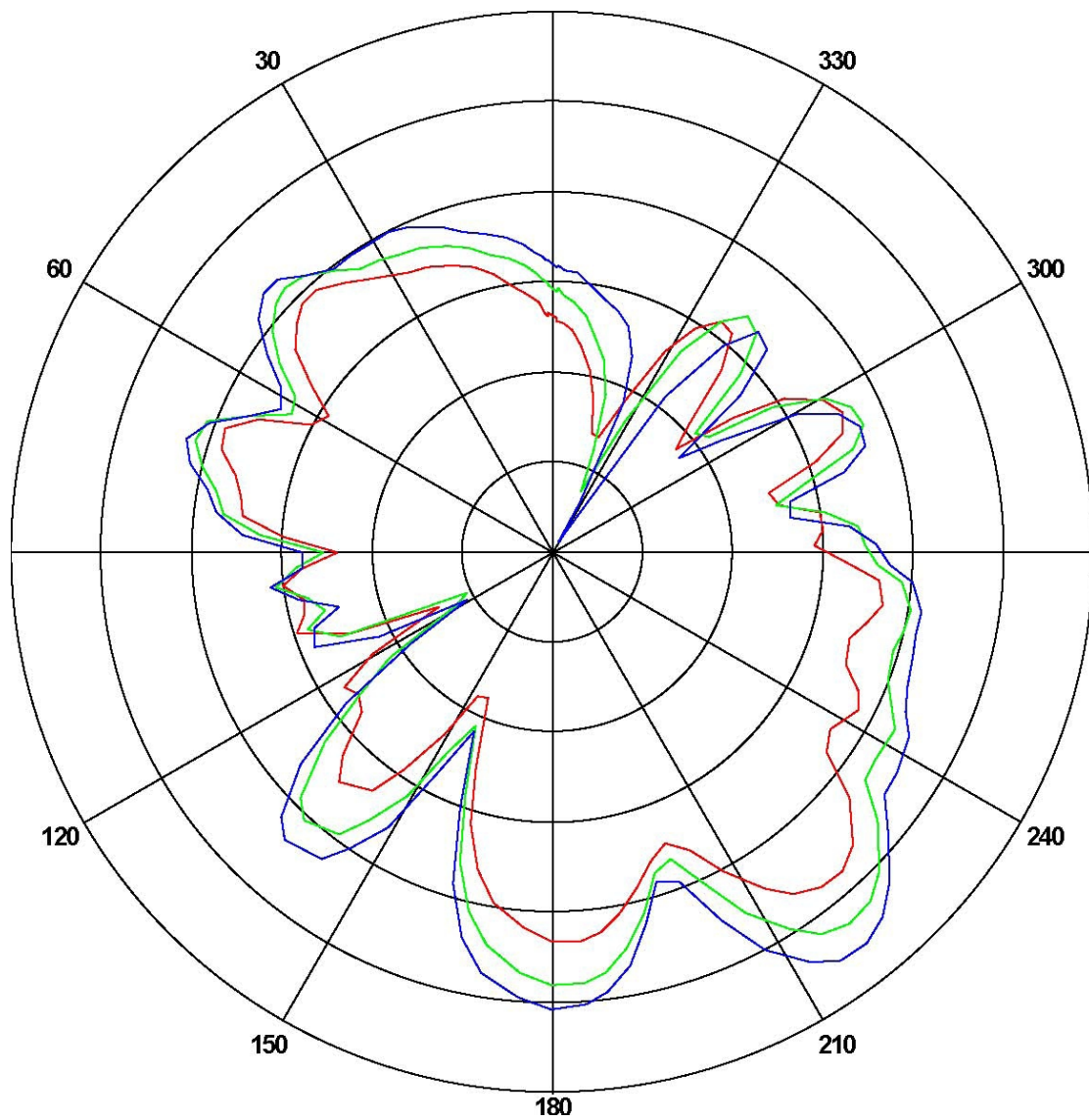


| Frequency (MHz) | Gain(dBi) |           |          |
|-----------------|-----------|-----------|----------|
|                 | Max       | Min       | Avg      |
| 2400            | -1.26174  | -30.0801  | -7.18716 |
| 2450            | -0.765802 | -36.5604  | -7.48023 |
| 2500            | -0.585582 | -22.03156 | 5.59127  |

Vertical: 2400 MHz 2450 MHz 2500 MHz

Power (dBm)

Max: 0 Min: -30 Scale: 5/div



| Frequency<br>(MHz) | Gain(dBi)            |          |          |
|--------------------|----------------------|----------|----------|
|                    | Max                  | Min      | Avg      |
| 2400               | -5.2537              | -22.1424 | -12.4294 |
| 2450               | -2.465224.58310.4702 |          |          |
| 2500               | -1.86120             | -29.5214 | -9.20432 |

ANT Test Labs Attestation of Global Compliance Co., Ltd.