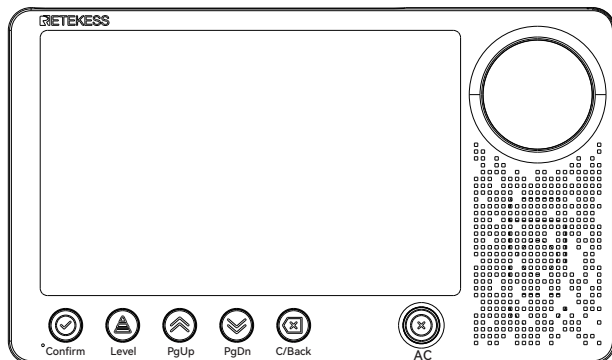


RETEKESS



TH107

Small medical call scheme
Instruction manual

Contents

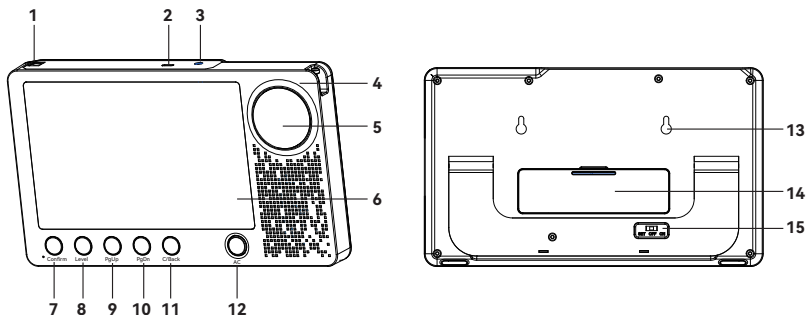
1.Product introduction	01
1.1 Screen host diagram	01
1.2 Screen host specification	01
1.3 Extension diagram	02
1.3.1 Dual button/single button extension diagram	02
1.3.2 Dual button/single button extension specification	02
1.3.3 extension diagram	02
1.3.4 extension specification	02
2.Product function setting instructions	03
2.1 Main screen function setting instructions	03
2.2 Extension function instructions	08
WARNING	09
GUARANTEE	93
EN(01-12)	
DE(13-26)	
FR(27-39)	
IT(40-52)	
ES(53-65)	
RU(66-79)	
PT(80-92)	

EU Importer

Name: Germany Retevis Technology GmbH
Address: Uetzenacker 29,38176 wendeburg

1.Product introduction

1.1 Screen host diagram (Applicable to TH107/TH108 model)



- 1.Power DC jack
2. TYPE-C interface
- 3.5mm-Audio interface
4. Antenna
- 5.Secondary screen
- 6.Main screen
- 7.Confirm key
- 8.Level key

- 9.PgUp
- 10.PgDn
- 11.C/Back key
- 12.AC key
- 13.Hanging hole location
- 14.Battery cover
- 15.Power key

1.2 Screen host specification

Size: 26.5*15.5*3.3cm

Material: ABS

Screen: Main screen-LED matrix display; Secondary screen-three digital tube;

Modulation : 433.92MHz-AM (OOK) (Applicable to TH107 model)

433.92MHz (Applicable to TH108 model) ;

Capacity for extension number: Each channel accommodates 8 extensions, for a total of 32 channels and 256 extensions;

Power: 12V ---1A input; or 4 AA battery;

Note:

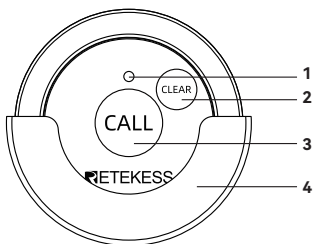
1.When powered by a battery, the secondary screen will display a battery icon. Under normal circumstances, a new battery can support the normal operation of the main screen for approximately 8 hours and standby for around 30 hours.

2.When the battery level is low, the battery icon will continuously flash to prompt the user to replace the battery promptly.

3.When the main screen receives a call from an extension, the extension number will be displayed on both the main screen and the secondary screen. Once the call ends, the main screen will no longer flash to indicate this number. The secondary screen can only display the recent call's number.

1.3 Extension diagram

1.3.1 Dual button/single button extension diagram



- 1.LED indicator light
- 2.Cancel key
- 3.Call button
- 4.Base

1.3.2 Dual button/single button extension specification

Size: extension 6.75cm (diameter) *1.45cm; base 7.25cm (diameter) *1.95cm;

Material: ABS

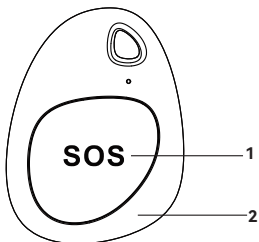
Modulation: 433.92MHz/AM (OOK) , Applicable to TH008/TH009 model;

Battery: 23V12 battery*1pcs (built-in) ;

Communication distance: Maximum 800m (open area)

Power: 10mW

1.3.3 extension diagram



- 1.Call button
- 2.LED indicator light

1.3.4 LoRa extension specification

Size: 47*63*20 mm

Material: ABS

Power: 10mW

Power: Built-in lithium battery 400mAh; Working current 130mA (Full battery can call about 6000 times)

Charging interface: Contact magnetic charging 5V1A

Communication distance: Up to 2000m (open area)

Modulation: 433.92MHz, Applicable to TH010 model

2.Product function setting instructions

2.1Main screen function setting instructions

Before using this product, please familiar with the related function settings;

<p>Language setting (F1)</p>	<p>Toggle the keys on the back of the screen host to the setting , you can open the setting function.</p> <ol style="list-style-type: none">1. Short press [Confirm] key to enter setting, the main screen goes out, the sub-screen displays "F1", and the host broadcasts "language setting";2. Press [PgUp] / [PgDn] key to choose system language, the host will broadcast "Hello" in the currently selected language, and the secondary screen will display numbers (1-10);3. Short press [C/Back] key , return to the previous menu, the host broadcasts a beep "drop", the sub-screen displays "F1", indicating that the setup is complete;4 Short press [PgUp] / [PgDn] key for other settings; short press [C/Back] key, the host beeps "a drop", return to the receiving state; Setting state, such as timeout 20 seconds without operation, automatically return to the receiving state, the host beep "drop".
<p>Grouping Management (F2) (Add/Delete /Replace extensions)</p>	<p>Turn on the setup function by pressing and toggling the buttons on the back of the screen main to the setting.</p> <ol style="list-style-type: none">1. Short press [Confirm] key to enter the setup state, the main screen is off, the sub-screen displays "F1", the host broadcasts "language settings";2. Short press [PgUp/PgDn] , when the sub-screen displays "F2", the host voice broadcasts "group management"; 3, short press [Confirm] key to enter the setting state, the main screen goes out, the sub-screen displays "F1", the host broadcasts "language settings".3. Short press [Confirm] key to enter, the main screen default 1 white flashing, has been the code group number white long light, the sub-screen display "---";4. Short press [PgUp] / [PgDn] key to select the main screen group number, the main screen selected group number white blinking, the other has been to the code group number white long light, the group number is selected can be carried out after the following extension operation: <p>1) Add extension:</p> <ol style="list-style-type: none">a. Short press the extension button, the host broadcast group number, the main screen group number green flashing, the sub-screen displays the group group of extension number (1-8), the host voice prompts "drop" sound, at this time you can set the level of extensions, short press [Level] key, the cycle of setting the level of extensions, the main screen corresponds to the group number of lamps in the current level of color blinking displayb. Short press [Confirm] key, or wait for 3s, the sub-screen displays "---", the host beeps "drop" sound, the end of an extension to add the operation;c. After the extension is successfully added, add other extensions in the same way (the maximum number of extensions in a single group is 8, more than 8 host sound prompts "beep", the sub-screen displays "Er"), or select other groups to add extensions through the [PgUp] / [PgDn] key;d. After all the extensions are added, short press [C/Back] key to return to the previous menu, the main screen goes out and the sub-screen displays "F2";e. Short press [C/Back] key, exit the setup state, the host beeps "drop" and returns to the receiving state; <p>Setting state, such as timeout 20 seconds without operation, automatically return to the receiving state, the host beep "drop".</p>

2) Delete the extension

Method one:

- a. Short press [PgUp] / [PgDn] key to select the group number, the main screen selected group number white blinking, the other has been the code group number white long light, the sub-screen display "---";
- b. Short press [AC] key to delete the group, the host beeps "drop" sound, the main screen the group number off, the sub-screen display "---", the end of the group deletion operations
- c. After the successful deletion of this group, delete other groups in the same way;
- d. After all the required extensions are deleted, short press [C/Back] key to return to the previous menu, the host broadcasts a beep "drop", the main screen goes out, and the sub-screen displays "F2";
- e. Short press [PgUp]/[PgDn] key for other settings; or short press [C/Back] key, the host beeps "drop" and returns to the receiving state;
Setting state, such as timeout 20 seconds without operation, automatically return to the receiving state, the host beep "drop".

Method two:

- a. Short press [PgUp] / [PgDn] key to select the group number, the main screen selected group number white blinking, the other has been the code group number white long light, the sub-screen display "---";
- b. Short press the extension, the host broadcasts the group number, the group number of the main screen is displayed in the color of the extension level flashing, and the sub-screen displays the number of the extension in the group;
- c. Short press the [AC] key, the main screen group number becomes white flashing, the sub-screen displays "---", the host beeps "drop" a sound to end an extension deletion operation;
- d. After the successful deletion of the extension, delete other extensions of the group in the same way;
- e. After all the required extensions are deleted, short press [C/Back] key to return to the previous menu, the host broadcasts a beep "drop", the main screen goes out, and the sub-screen displays "F2";
- f. Short press [PgUp]/[PgDn] key for other settings; or short press [C/Back] key, the host announces a beep "drop" and returns to the receiving state;
Setting state, such as timeout 20 seconds without operation, automatically return to the receiving state, the host beep "drop".

Method three:

- a. Short press [PgUp] / [PgDn] key to select the group number, the main screen selected group number white blinking, the other has been on the code group number white long light, the sub-screen display "---";
- b. Short press [Confirm], through the [PgUp] / [PgDn], select the group extension number, the main screen group number to the extension level color blinking display, the sub-screen blinking display of the group within the extension number (1-8)
- c. Short press [AC] key, the main screen group number becomes white and bright, the sub-screen displays "---", and the host beeps "drop" to end an extension deletion operation;
- d. After the successful deletion of the extension, delete other extensions of the group in the same way;
- e. After all the required extensions are deleted, short press [C/Back] key to return to the previous menu, the host broadcasts a beep "drop", the main screen goes out, and the sub-screen displays "F2";

	<p>f, Short press [PgUp]/[PgDn] key for other settings; or short press [C/Back] key, the host beeps "drop" and returns to the receiving state; Setting state, such as timeout 20 seconds without operation, automatically return to the receiving state, the host beeps "drop".</p>
	<p>3) Replacement of extensions: (Delete + Add) According to the above operation logic, the extension deletion operation is performed first, and then the extension addition operation is performed.</p>
<p>Prompt tone selection (F3)</p>	<p>Toggle the switch button on the back of the screen host to the setup position to open the setup function.</p> <ol style="list-style-type: none"> 1. Short press [Confirm] key to enter the setup state, the main screen is off, the secondary screen displays "F1", the host broadcasts "language settings"; 2. Short press [PgUp] / [PgDn] key, the sub-screen displays "F3", the host broadcasts "Choose prompt tone"; 3. Click [Confirm] key to enter, the sub-screen default display number 1, the host broadcast the corresponding tone; 4. Through the [PgUp] / [PgDn] key to select the tone, the sub-screen displays the number (1-3), the host broadcasts the corresponding tone; 5. After the selection is completed, short press [Single Clear/Return] key to return to the previous menu, the sub-screen displays "F3," the host broadcasts a tone "drop", indicating that the setup is complete; 6. Short press [PgUp] / [PgDn] key, for other settings; or short press [C / Back] key, the host beeps "drop", return to the receiving state; Setting state, such as timeout 20 seconds without operation, automatically return to the receiving state, the host beeps "drop".
<p>Timeout time setting (F4)</p>	<p>Timeout reminder: When the call record has not been processed after exceeding the timeout time set by the user, the host will remind again (the host voice reminds 2 times, the main screen group number flashes in blue, and the sub-screen flashes to show the group number of the extension; the voice broadcast of the timeout reminder makes a distinction with the ordinary call. For example: No. 3 call has timeout, No. 3 call has timeout.) The Timeout reminder logic description:</p> <ol style="list-style-type: none"> 1. Without setting the number of broadcasts (always broadcast): at this time, the voice broadcast is in progress (state 1), when there is a timeout reminder, state 1 voice 1 complete broadcast, and then timeout reminder 2 times, and then continue to return to state 1. 2. Set the number of times of broadcasting: at this time the voice broadcasting is in progress (state 1), when there is a timeout reminder, state 1 voice 1 complete broadcast, and then timeout reminder 2 times, and then continue to return to the state 1 to continue the remaining number of times of broadcasting. <p>The switch button on the back of the screen host, toggle to the setting gear, you can open the setting function.</p> <ol style="list-style-type: none"> 1. Short press [Confirm] key to enter the setup state, the main screen is off, the sub-screen displays "F1", the host broadcasts "language settings"; 2. Short press [PgUp] / [PgDn] key, when the sub-screen display "F4", the main screen goes out, the host voice broadcast "timeout settings";; 3, click [Confirm] key to enter the setup state, the main screen goes out, the sub-screen display "F1", the host broadcast "language settings". 3. Click [Confirm] key to enter, short press [PgUp] / [PgDn] key to select the

	<p>timeout duration (unit: minutes), the sub-screen displays the number (0-99). Note: 0 means no timeout reminder is set, and the timeout also turns blue in the case of broadcasting all the time;</p> <p>4. After the selection is completed, short press [C/Back] key to return to the previous menu, the main screen goes out, the secondary screen displays "F4", and the host broadcasts a beep "drop", indicating that the setting is complete;</p> <p>5. Short press [PgUp]/[PgDn] key for other settings; or short press [C/Back] key, the host beeps "drop", return to the receiving state;</p> <p>Setting state, such as timeout 20 seconds without operation, automatically return to the receiving state, the host beeps "drop".</p>
Setting the number of beeps (F5)	<p>Toggle the switch button on the back of the screen host to the setup position to open the setup function.</p> <p>1. Short press [Confirm] key to enter the setup state, the main screen is off, the secondary screen shows "F1", the host broadcasts "language settings";</p> <p>2. Short press [PgUp] / [PgDn] key, when the sub-screen display "F5", the host voice broadcasting "beep broadcasting number of times to set".</p> <p>3. Short press [PgUp] / [PgDn] key, select the number of times of reminder (0-5), Note: 0 means that the reminder is always prompted, default is 0;</p> <p>4. After the selection is completed, short press [C/Back] key to return to the previous menu, the main screen goes out, the secondary screen displays "F5", and the host broadcasts a beep "drop", indicating that the setup is complete;</p> <p>5. Short press [PgUp]/[PgDn] key for other settings; or short press [C/Back] key, the host beeps "drop", return to the receiving state;</p> <p>Setting state, such as timeout 20 seconds without operation, automatically return to the receiving state, the host beeps "drop".</p>
Restore factory settings (F6)	<p>Toggle the switch button on the back of the screen host to the setup position to open the setup function.</p> <p>1. Short press [Confirm] key to enter the setup state, the main screen is off, the sub-screen shows "F1", the host broadcasts "language settings";</p> <p>2. Short press [PgDn] , when the sub-screen display "F6", the main screen goes out, the host voice broadcast "restore factory settings"; 3, click [Confirm] key to enter the setup state, the main screen goes out, the sub-screen display "F1", the host broadcast "language settings".</p> <p>3. Click [Confirm] key to enter, through the [PgUp] / [PgDn] will be set from 1 to 0 (default 1);</p> <p>4. After the setting is completed, long press [Confirm+C/Back] key, the host broadcasts a beep "drop", indicating that the setting is complete, return to the receiving state;</p>
Extension level setting	<p>No call log/message scenario:</p> <p>Method one:</p> <p>1. Short press the [Level] key to enter the level setting, the main screen default 1 group number flashes in white color, and the sub-screen shows "----";</p> <p>2. Short press the extension, the main screen group number with the current extension color flashing, sub-screen flashing display extension in the group number;</p> <p>3. Short press [Level] key, cycle set the level of the extension, the main screen group number to the current level of color flashing display, the sub-screen shows the extension in the group number;</p> <p>4. Short press [Confirm] key, or wait for 3s, the extension level setting is complete, the main screen group number becomes white, the sub-screen displays "----", the host beeps "drop" a sound, the end of an extension level</p>

	<p>setting; 5. After the extension level is set successfully, set other extension levels in the same way; 6. After all the required extensions are set up, short press the [Clear/Return] key, the host beeps "drop" and returns to the receiving state. Setting state, such as timeout 20 seconds without operation, automatically return to the receiving state, the host beeps "drop".</p> <p>Method two:</p> <ol style="list-style-type: none"> 1. Short press [Level] key to enter the level setting, the main screen default 1 group number white flashing, the sub-screen display "--"; 2. Short press [PgUp/PgDn] key, select the group number, the main screen selected group number white blinking, has been on the code group number white long light, the sub-screen selected group number blinking; 3. Short press [Confirm] key, enter the extension selection state; sub-screen default blinking display of the group's first downstream extension number, the main screen default to the group's first downstream extension level color blinking display; 4. Short press [PgUp]/[PgDn] key, select the extension, the sub-screen displays the group extension number; 5. Short press [Level] key, cycle set the level of the extension, the main screen group number to the current level of color flashing display, the sub-screen displays the number of the extension in the group; 6. Short press [Confirm] key, or wait for 3s, the extension level setting is complete, the main screen group number becomes white, the sub-screen displays "----", the host beeps "drop" a sound, the end of an extension level setting; 7. After the extension level is set successfully, set other extension levels in the same way; 8. After all the required extensions are set up, short press the [C/Back] key, the host beeps "drop" and returns to the receiving state. Setting state, such as timeout 20 seconds without operation, automatically return to the receiving state, the host beeps "drop". <p>Method three: When there is a call record not processed:</p> <ol style="list-style-type: none"> 1. Short press [Level] key, directly switch the level of the current call extension, the main screen current group number to the current selection of color flashing display, other group number to the highest level of color flashing, sub-screen flashing display of the current call extension group number; 2. Short press [C/Back] key, the host beeps "drop", return to the receiving state. Setting state, such as timeout 20 seconds without operation, automatically return to the receiving state, the host beeps "drop".
Volume settings	<p>No call information/record, short press [PgUp]/[PgDn] key to adjust the volume, the main screen goes out, the secondary screen displays the volume level (0-5), The host broadcasts a prompt tone at the current selected volume, and after the selection, it automatically returns to the receiving state.</p>
Extension call	<p>Status description: 1. No call information/record: the main screen is off, and the secondary screen</p>

	<p>displays "---";</p> <p>2. With call information/record:</p> <p>When there is no call: the nearest calling group number on the main screen flashes in the extension level color, the other groups are always lit in the highest level color of the extensions in the group, and the sub-screen flashes to show the group's extension number;</p> <p>When there is a call: the nearest call group number on the main screen flashes with the extension level color, other groups are always lit with the highest level color of the extensions in the group, and the sub-screen flashes to show the group's extension number, and the host broadcasts the group number in accordance with the set number of times, and the timeout will be broadcasted again;</p>
Deleting a single call record	<p>In case of call information/record, the main screen displays all the call records, the nearest calling group number of the main screen flashes in the color of the extension level, other groups are always lit in the color of the highest level of the extension within the group, and the sub-screen flashes to show the group extension number;;</p> <p>1. Short press [PgUp] / [PgDn] , select the group number, the main screen selected group number flashing, other group number long light, the sub-screen selected group's nearest calling extension number flashing, the host voice broadcast the group number;</p> <p>2. Short press [AC] key to delete the group record, the main screen the group number off, the host voice prompts "drop" a sound, said the group call record deleted successfully;</p> <p>Or short press [Confirm] key, through the [PgUp] / [PgDw] key, select the extension number of the group, the sub-screen flashes to show the extension number of the group, short press [Clear] key, the host voice prompts "drop", said the extension call record deletion success;</p> <p>3. In the same way, other call record deletion operation;</p> <p>4. Short press [C / Back] key, complete and exit the deletion operation; or if the timeout 20 seconds without operation, automatically return to the receiving state, the host voice prompts "drop".</p> <p>If no operation is performed after 20 seconds, it will automatically return to the receiving state and the host beeps "drop".</p>
Delete all call records	<p>In case of call information/record, press [AC] key briefly to clear all call records, the host beeps "drop" and returns to standby.</p>

2.2 Extension function instructions

Before leaving the factory, the extension has been equipped with a battery. After the extension is unpacked and paired with the screen host, it can be used normally;

Call host screen	<p>Press the Call button of the single-key/double-key extension, or press the red call button of the extension to complete the call to the host; (You need to complete the pairing of the extension and the host in advance to realize the call function)</p>
Cancel calling	<p>Press the Clear button of the two-button extension to cancel the call to the host; (after calling a single-button extension and a extension, it can only be canceled on the host)</p>

Notes:

- 1.This product does not have waterproof function and should not be placed in high temperature, humid, or dusty environments for extended periods.
- 2.Although this product can be used with batteries, the host does not have the ability to charge the batteries.
- 3.Please strictly follow the instructions provided in the product manual when using this product. Failure to do so may result in data loss or damage to the product.
- 4.Single-button/dual-button extensions come with a base, wall-mount screws, and adhesive backing. Extensions come with a hanging rope and a magnetic charging cable with pin connectors. The main screen comes with wall-mount screws for convenience use by the user.

RF ENERGY EXPOSURE AND PRODUCT SAFETY GUIDE



ATTENTION!

Before using this device, please read this guide which contains important operating instructions for safe usage, control information and operational instructions for compliance with RF Energy Exposure limits in applicable national and international standards. User' instructions should accompany the device when transferred to other users.

Unauthorized modification and adjustment

Changes or modifications not expressly approved by the party responsible for compliance may void the user's authority granted by the local government radio management departments to operate this radio and should not be made. To comply with the corresponding requirements, transmitter adjustments should be made only by or under the supervision of a person certified as technically qualified to perform transmitter maintenance and repairs in the private land mobile and fixed services as certified by an organization representative of the user of those services. Replacement of any transmitter component (crystal, semiconductor, etc.) not authorized by the local government radio management departments equipment authorization for this radio could violate the rules.

FCC

This device complies with part 15 of the FCC Rules. Operation is subject to the following two conditions: (Other devices are applicable)

- (1) This device may not cause harmful interference.
- (2) This device must accept any interference received, including interference that may cause undesired operation.

Note: This equipment has been tested and found to comply with the limits for a Class B digital device. These limits are designed to provide reasonable protection against harmful interference in a residential installation. This equipment generates, uses and can radiate radio frequency energy and, if not installed and used in accordance with the instructions, may cause harmful interference to radio communications. However, there is no guarantee that interference will not occur in a particular installation. If this equipment does cause harmful interference to radio or television reception, which can be determined by turning the equipment off and on, the user is encouraged to try to correct the interference by one or more of the following measures:

- Reorient or relocate the receiving antenna.
- Increase the separation between the equipment and receiver.
- Connect the equipment into an outlet on a circuit different from that to which the receiver is connected.
- Consult the dealer or an experienced radio/TV technician for help.

IC

Licence-exempt radio apparatus

This device contains licence-exempt transmitter(s)/receiver(s) that comply with Innovation, Science and Economic Development Canada's licence-exempt RSS(s). Operation is subject to the following two conditions: (1) This device may not cause interference.

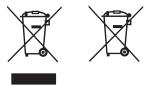
- (2) This device must accept any interference, including interference that may cause undesired operation of the device.

CE

• (Simple EU declaration of conformity) HENAN ESHOW ELECTRONIC COMMERCE CO., LTD. declares that the radio equipment type is in compliance with the essential requirements and other relevant provisions of RED Directive 2014/53/EU and the ROHS Directive 2011/65/EU and the WEEE Directive 2012/19/EU; the full text of the EU declaration of conformity is available at the following internet address: www.retekes.com.

Disposal

The crossed-out wheeled-bin symbol on your product, literature, or packaging reminds you that all electrical and electronic products, batteries, or accumulators must be taken to designated collection locations at the end of their working life. Do not dispose of these products as unsorted municipal waste. Dispose of them according to the laws and rules in your area.lug



RF Safety

This two-way radio uses electromagnetic energy in the radio frequency (RF) spectrum to provide communications between two or more users over a distance. RF energy, which when used improperly, can cause biological damage. Please refer to the following websites for more information on what RF energy exposure is and how to control your exposure to assure compliance with established RF exposure limits: <http://www-who.int/en/>

Keeping the radio at a proper distance is important as RF exposure decreases with increasing distance from the proper antenna. A proper antenna is an antenna supplied with this radio by the manufacturer or specifically authorized by the local authority for use with this radio. This radio can only be operated by use of an antenna of a type and maximum (or lesser) gain approved for the transmitter under regulations and rules. This transmitter must operate with the antenna(s) documented and in Push-to-Talk and body-worn configurations as documented. Using authorized accessories is important because the use of Non-Retekes accessories may result in exposure levels, which exceed the IEEE/ICNIRP RF exposure limits. Transmit no more than the rated duty factor 50% of the time. Transmitting necessary information or less, is important because the radio generates measurable RF energy exposure only when transmitting in terms of measuring for standards compliance. For users who wish to further reduce their exposure, some effective measures to reduce RF exposure include:

- Reduce the amount of time spent using your wireless device.
- Use a speakerphone, earpiece, headset, or other hands-free accessory to reduce proximity to the head (and thus head exposure). While wired earpieces may conduct some energy to the head and wireless earpieces also emit a small amount of RF energy, both wired and wireless earpieces remove the greatest source of RF energy (handheld device) from proximity to the head and thus can greatly reduce total exposure to the head.
- Increase the distance between wireless devices and your body.
- This radio is designed for and classified as “General population/uncontrolled use”. General population/uncontrolled environments are defined as locations where there is exposure of individuals who have no knowledge or control of RF exposure level.

Electromagnetic Interference/Compatibility

Nearly every electronic device is susceptible to electromagnetic interference (EMI) if inadequately shielded, designed, or otherwise configured for electromagnetic compatibility. During transmissions, your radio generates RF energy that can possibly cause interference with other devices or systems. To avoid such interference, turn off the radio in areas where signs are posted to do so, such as hospitals or healthcare facilities.

Turn off your radio in the following conditions:

- Do not use any radio that has a damaged antenna. If a damaged antenna comes into contact with the skin when the radio is in use, a burn can result.
- Turn off your radio before removing or installing accessories.
- When the transceiver is used for long transmissions, the radiator and chassis will become hot.

Protect your hearing

- Use the lowest volume necessary to do your job. Turn up the volume only if you are in noisy surroundings.

- Limit the amount of time you use headsets or earpieces at high volume.
 - When using the radio without a headset or earpiece, do not place the radio's speaker directly against your ear.
 - Use carefully with the earphone maybe possible excessive sound pressure from earphones and headphones can cause hearing loss.
- CAUTION: Exposure to loud noises from any source for extended periods of time may temporarily or permanently affect your hearing. The louder the radio's volume, the less time is required before your hearing could be affected. Hearing damage from loud noise is sometimes undetectable at first and can have a cumulative effect.

Batteries Safety

- **WARNING: KEEP NEW OR OLD USED BATTERIES OUT OF REACH OF CHILDREN.**
- In the event of a battery leaking, do not allow the liquid to come into contact with the skin or eyes. If contact has been made, wash the affected area with copious amounts of water and seek medical advice immediately.
- If a radio or a battery has been submerged in water, please dry and clean it before use. Do not dry the radio or battery with an appliance or heat source, such as a hair dryer or microwave oven. If the radio has been submerged in a corrosive substance (e.g. saltwater), rinse the radio and battery in fresh water, then dry them.
- Turn off your radio before removing or installing a battery. Store spare batteries securely. Dispose of used batteries immediately and safely.
- The battery supply terminals are not to be short-circuit.
- Do not replace the battery in any area labeled "Hazardous Atmosphere". Any sparks created in a potentially explosive atmosphere can cause explosion or fire.
- When the conductive material such as jewelry, keys or chains touches exposed terminals of the batteries, may complete an electrical circuit (short circuit the battery) and become hot to cause bodily injury such as burns. Exercise care in handling any battery, particularly when placing it inside a pocket, purse or other container with metal objects;
- Dirty battery contacts need to be wiped with clean dry cloth, both on the battery and in the appliance.
- Batteries should be removed from the appliance when not being used for long periods of time (months). The batteries should be enclosed in special protective packaging (such as sealed plastic bags or variants) which should be retained to protect them from condensation during the time they are warming to ambient temperature.
- Exhausted batteries are to be removed from the equipment.
- Do not dismantle, open or shred batteries. Batteries should be dismantled only by trained people.
- Disposal of a battery into fire, or a hot oven, or mechanically crushing or cutting of a battery, that can result in explosion;
- Turn off your radio before charging.
- Batteries shall be charged at 10°C~40°C environment temperature specified. If the environment temperature is lower than 0°C, the charge shall be prohibited.
- Rechargeable batteries need to be charged with a dedicated charger provided for each piece of equipment before you first use them.
- Rechargeable batteries are only to be charged by adults or by children at least 8 years old under adult supervision.
- Pull by the plug rather than the cord when disconnecting the charger.
- Unplug the charger from the AC outlet before attempting any maintenance or cleaning.
- Do not use the charger outdoors or in moist environments, use only in dry locations/conditions.
- Do not disassemble the charger, which may result in a risk of electrical shock or fire. A charger should be dismantled only by trained people.
- Do not operate the charger if it has been broken or damaged in any way.
- An extension cord should not be used unless absolutely necessary. Use of an improper extension cord could result in a risk of a fire and/or electric shock. If an extension cord must be used, make sure that:
 - The pins on the plug of the extension cord are the same number, size and shape as those on the plug of the charger.
 - The extension cord is properly wired and in good condition.
 - Make sure the cord is located so it will not be stepped on, tripped over or subjected to damage or stress.
 - NEVER charge a battery unless it is a rechargeable battery.

- Do not mix alkaline, standard (carbon-zinc) or rechargeable (Ni-Cd; Ni-MH) batteries.
- Different types of batteries or new and used old batteries are not to be mixed. Do not mix batteries of different manufacturers, capacities, or sizes.
- Batteries must be inserted with the correct polarity. Replacement of a battery with an incorrect type can defeat the safeguard. There will be a risk of fire or explosion if a battery is replaced by an incorrect type.



WARNING:CHOKING HAZARD-Small Parts. Not suitable for children under 3 years old.

Adapter

- The plug of the adapter is considered a disconnect device. The socket-outlet shall be installed near the equipment and shall be easily accessible.
- The power delivered by the charger must use the original power adapter in order to achieve the maximum charging speed.

Authorized Accessories List

- Contact Reteless for assistance regarding repairs and service
- For a list of Reteless-approved accessories for your radio model, visit the website <http://www.reteless.com>