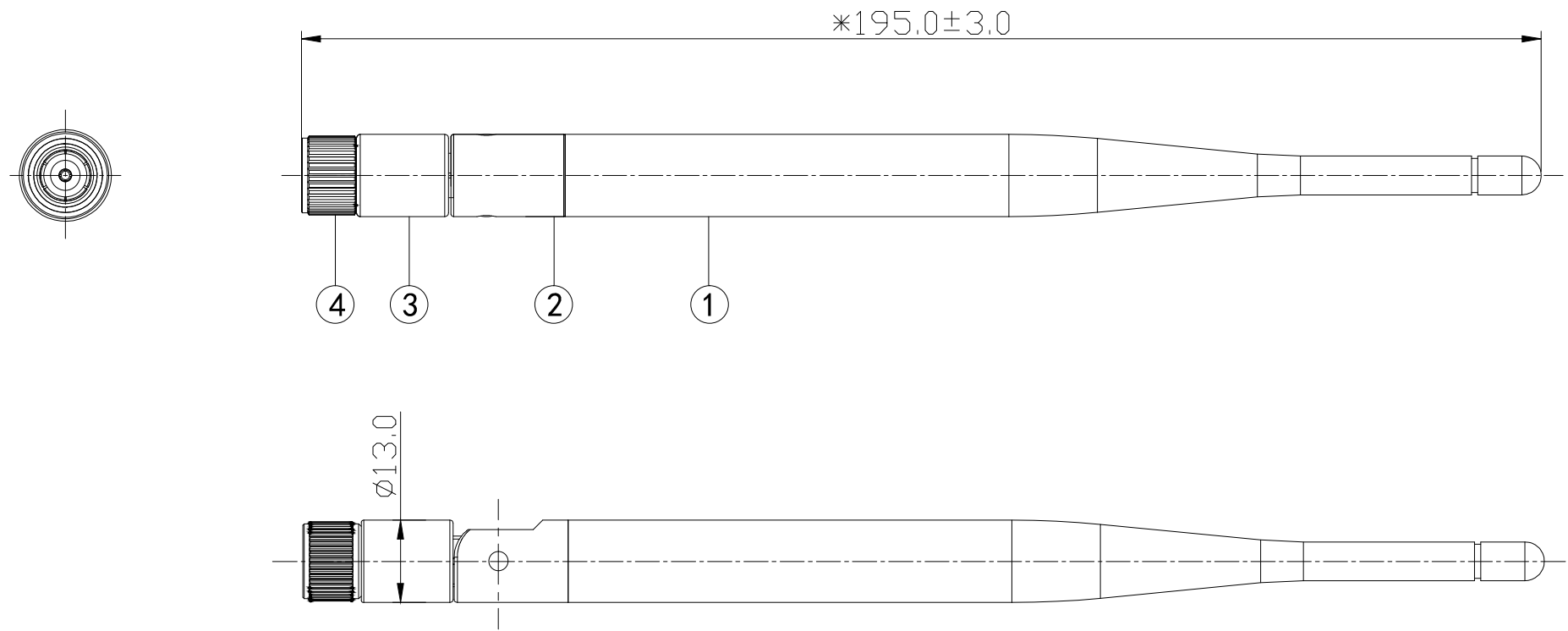


# Antenna specification

NO.	内容 (Contents)	页数 (Number of Page)	页码 (Page Code)
1	承认书封面 (Spec Cover)	1	1
2	承认书项目表 (Spec Item )	1	2
3	工程成品图 (Drawing)	1	3
4	电性测试报告 (Test Reports )	1	4
5	S 参数测试 (S Parameter )	1	5
6	增益测试 (Gain Test )	1	6
7			
8			
9			
10	-	-	-
11	-	-	-
12	-	-	-

1 2 3 4 5 6 7 8

SIGN	DATE	DESCRIPTION	APPROVER
△			
△			
△			



4	SMA194-CCT5AN19	SMA Male Reverse	Cu	Eletrodeposition	1
3	AN03-T07B	Body1	PA+ABS	Black	1
2	AN9201-07B	Body2	ABS	Black	1
1	AN9201-04B	Body1	TPE	Black	1
No.	Part Number	Description	Material	Finish	Q'ty

## 东莞市创捷电子有限公司

TITLE:433/470 6dBi Antenna			
PART NO.: AN4333/470-0195Z-02		DWG NAME: AN2400-0195Z-02.dwg	
APPROVED BY	CHECKED BY	DESIGNED BY	 Tolerance YD ±0.030 YD ±0.020 YD ±0.015
jeff 2011-06-17	leon 2011-06-17	YD 2011-06-17	
UNITS: mm SCALE: 1/1 REVISION: A			

1 2 3 4 5 6 7 8

# 电性测试报告

## Test Reports

### Sample Photo



### A. Electrical Characteristics

Frequency	433MHz
S.W.R.	$\leq 2.0$
Antenna Gain	6.0dBi
Polarization	Linear
Impedance	50 Ohm

### B. Material & Mechanical Characteristics

Material of Radiator	CU
Material of Plastic	Body: TPE Hinge: PA+ABS Holder: PA + ABS
Cable Type	RG-178
Connector Type	SMA Male Reverse
Connector Pull Test	$\geq 5$ Kg
Connector Torque Test	200 ~ 500 g.cm

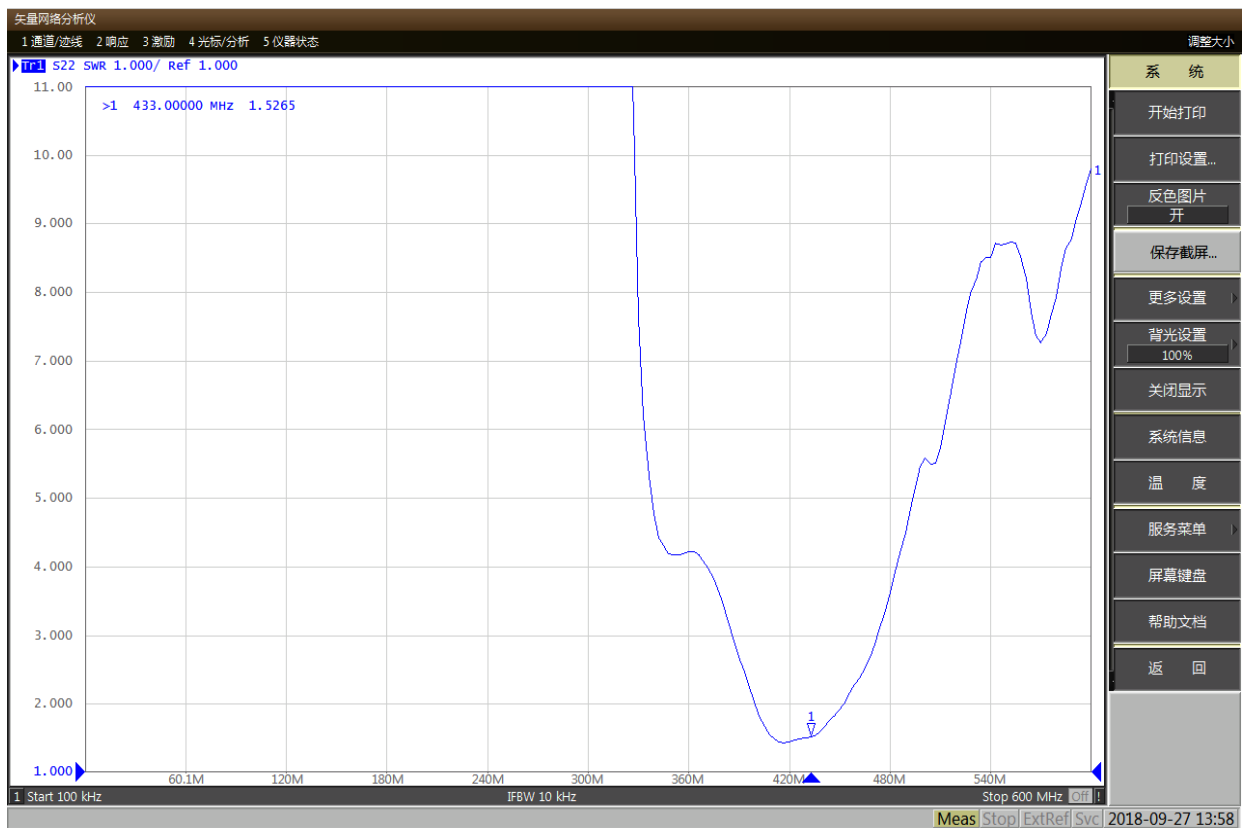
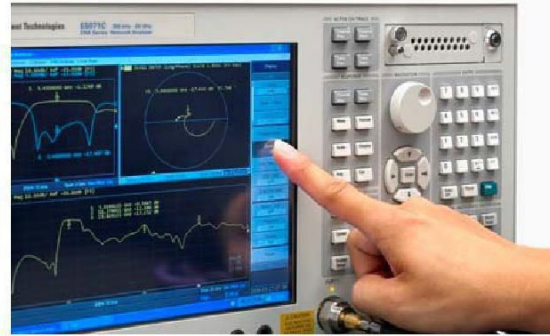
### C. Environmental

Operation Temperature	- 40 °C ~ + 65 °C
Storage Temperature	- 40 °C ~ + 80 °C

# S 参数测试

## S Parameter Test

*Agilent E5071C*



# 增益测试

## Gain Test

*Antenna  
Radiation  
Pattern  
VS  
Gain*

