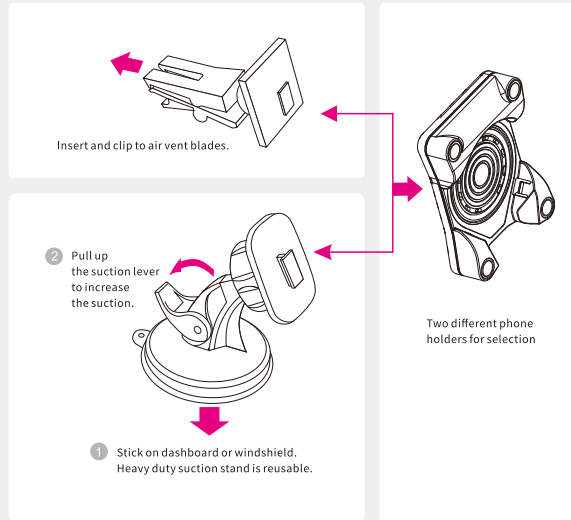
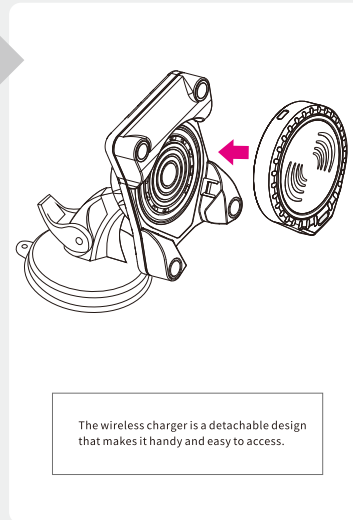


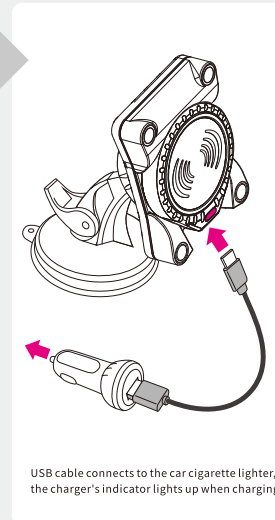
### 1 Installation of Holders



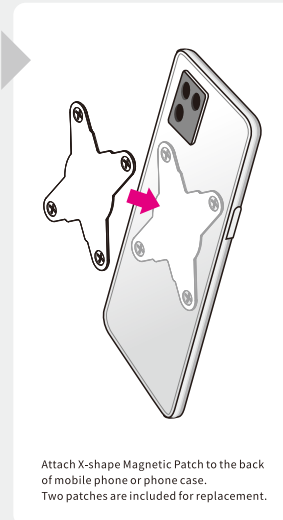
### 2 Wireless Charger Set-Up



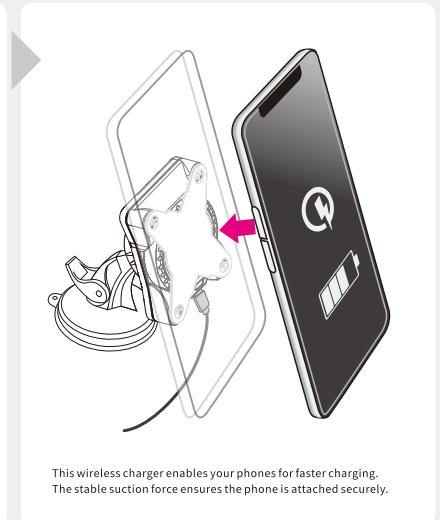
### 3 Power Connection



### 4 Attach X-Shape Patch



### 5 Wireless Charging



FAST CHARGING

QC3.0 QUICK CHARGE TECHNOLOGY

DETACHABLE WIRELESS CHARGER

MAGNETIC CAR HOLDERS

COMPATIBLE WITH QI-ENABLED PHONES

**【 Package includes 】**

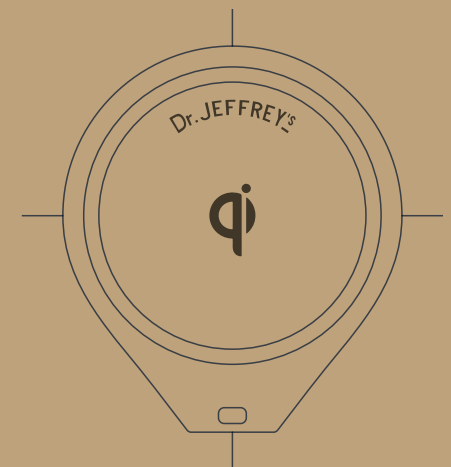
- 1 x Wireless Charger
- 1 x Magnetic Holder
- 1 x Air Vent Clip
- 1 x Gel Suction Stand
- 2 x X-Shape Magnetic Patches (black and white)
- 1 x Charger Cable
- 1 x Car Charger.
- 1 x User Guide

**【 Warranty 】**

Although the wireless charger works with most kinds of phone cases, some might cause slow charging. In this case, please take off the phone case before charging.

## USER GUIDE

WS-WC003



# DR. JEFFREY'S

## MAGNETIC DETACHABLE FAST WIRELESS CHARGING

QC 3.0



4 713309 745058

MADE IN CHINA

## FCC Warning

This device complies with part 15 of the FCC Rules. Operation is subject to the following two conditions:

(1) This device may not cause harmful interference, and (2) this device must accept any interference received, including interference that may cause undesired operation.

Any Changes or modifications not expressly approved by the party responsible for compliance could void the user's authority to operate the equipment.

**Note:** This equipment has been tested and found to comply with the limits for a Class B digital device, pursuant to part 15 of the FCC Rules. These limits are designed to provide reasonable protection against harmful interference in a residential installation. This equipment generates uses and can radiate radio frequency energy and, if not installed and used in accordance with the instructions, may cause harmful interference to radio communications. However, there is no guarantee that interference will not occur in a particular installation. If this equipment does cause harmful interference to radio or television reception, which can be determined by turning the equipment off and on, the user is encouraged to try to correct the interference by one or more of the following measures:

- ▶ -Reorient or relocate the receiving antenna.
- ▶ -Increase the separation between the equipment and receiver.
- ▶ -Connect the equipment into an outlet on a circuit different from that to which the receiver is connected.
- ▶ -Consult the dealer or an experienced radio/TV technician for help.

These products may cause interference to radio equipment and should not be installed near maritime safety communications equipment, ships at sea or other critical navigation or communications equipment operating between 0.45-30 MHz.

FCC Radiation Exposure Statement:

The equipment complies with FCC Radiation exposure limits set forth for uncontrolled environment. This equipment should be installed and operated with minimum distance 20cm between the radiator and your body.