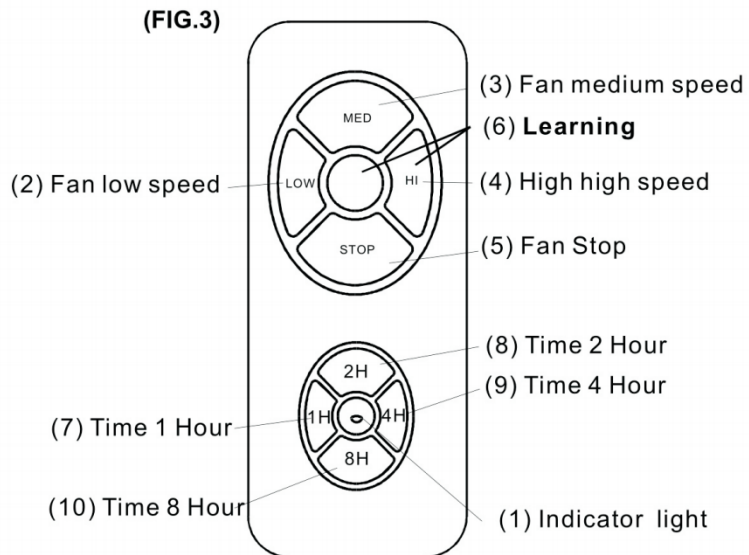


OPERATING TRANSMITTER:

- A. Install 2x1.5v AAA battery(not included). (To prevent damage to transmitter, remove the battery if not used for a long time).
- B. Store the transmitter away from excessive heat or humidity.
- C. Operating the buttons on the panel of the transmitter.
HI key -for fan high speed.
MED key-for fan medium speed.
LOW key-for fan low speed.
OFF key-for fan off.
- 1h 2h 4h 8h key-for The fan will stop after the time if the fan is working.
- D. Remote control **learning code method**.
Power off the receiver for more than 5 seconds. Turn on the power and immediately press and hold these two the key of **Blank** and **HI** for more than 3 seconds, then learn successfully.



Instruction manual



LIMITED 1 YEAR WARRANTY

The manufacturer warrants this fan to be free from defects in workmanship and material present at time of shipment from the factory for life (with limitations) from the date of purchase. This warranty applies only to the original purchaser. The manufacturer agrees to correct such defect at no charge or, at our option, replace the ceiling fan with a comparable or superior model.

To obtain warranty service, present a copy of your sales receipt as proof of purchase. All cost of removal and reinstallation are the expressed responsibility of the purchaser. Any damage to the ceiling fan by accident, misuse or improper installation, or by affixing accessories not produced by this warranty, are at the purchaser's own responsibility. The manufacturer assumes no responsibility whatsoever for fan installation during the limited 1 year warranty. Any service performed by an unauthorized person will render the warranty invalid.

Due to varying climatic conditions, this warranty does not cover changes in brass finish, rusting, pitting, tarnishing, corroding or peeling. Brass finish fans maintain their beauty when protected from varying weather conditions.

Any replacement of defective parts for the ceiling fan must be reported within the first year from the date of purchase. For the balance of the warranty, call our customer service department at for return authorization and shipping instructions so that we may repair or replace the ceiling fan.

Any fan or parts returned improperly packaged is the sole responsibility of the purchaser. There is no further expressed warranty. The manufacturer disclaims any and all implied warranties. The duration of any implied warranty which cannot be disclaimed is limited to the lifetime limited period as specified in our warranty. The manufacturer shall not be liable for incidental, consequential or special damages arising at or in connection with product use or performance except as may otherwise be accorded by law. This warranty gives you specific legal rights, and you also have other rights which vary from state to state. This warranty supersedes all prior warranties.

Note: A small amount of "wobble" is normal and should not be considered a defect.

Responsible Party: Big Lots Stores, Inc. Address: Big Lots, 4900 E.
Dublin Granville Rd. Columbus, OH 43081 Telephone Number: 614.278.7239

SAFETY INFORMATION

READ AND SAVE THESE INSTRUCTIONS

- This fan is applicable only for gazebos or pagodas where a reliable mounting bracket is provided.
- Ensure the hanging structure can support a minimum weight of 65 lbs. If you are not sure the hanging structure can support the weight, do not attempt to install this fan as it may fall and cause damage to the fan or personal injury. Contact a qualified, licensed electrician for information regarding proper mounting methods in your area.
- Do not use water or a damp cloth to clean the fan.
- To reduce the risk of fire, electric shock or injury to people, disconnect the electric supply circuit to the fan before installing, cleaning and servicing the item.
- Unplug or disconnect the appliance from the power supply before servicing.
- To reduce the risk of fire or electric shock, do not use this fan with any solid-state speed control device.
- Use only on GFCI-protected receptacles.
- Do not operate any fan with a damaged cord or plug. Discard fan or return to an authorized service facility for examination and/or repair.
- Do not run cord under carpet. Do not cover cord with throw rugs, runners, or similar coverings.
- Do not route cord under furniture or appliances. Arrange cord away from traffic area and where it will not be tripped over.
- Do not strain the power cord.

WARNING

- To reduce the risk of personal injury, do not insert foreign objects inside the cage of the fan. Do not damage or deform the cage of the fan.
 - Power cord will not support the weight of a fixture; pulling power cord will result of the fixture falling, with the possibility of personal injury and the danger of electrical shock or fire.
 - Do not mix old new batteries
 - Do not mix alkaline, standard (carbon-zinc) , or rechargeable (ni-cad, in-mh, etc) batteries.
- "WARNING - To Reduce The Risk Of Personal Injury, Do Not Bend The Blade Brackets When Installing The Brackets, Balancing The Blades, Or Cleaning The Fan. Do Not Insert Foreign Objects In Between Rotating Fan Blades."
- "WARNING - To Reduce The Risk Of Fire, Electric Shock, Or Personal Injury, Mount To Outlet Box Marked "Acceptable For Fan Support of 22.7 kg (50 lbs) or less" And Use Mounting Screws Provided With The Outlet Box."

NOTE: This equipment has been tested and found to comply with the limits for a Class B digital device, pursuant to Part 15 of the FCC Rules. These limits are designed to provide reasonable protection against harmful interference in a residential installation. This equipment generates uses and can radiate radio frequency energy and, if not installed and used in accordance with the instructions, may cause harmful interference to radio communications.

However, there is no guarantee that interference will not occur in a particular installation. If this equipment does cause harmful interference to radio or television reception, which can be determined by turning the equipment off and on, the user is encouraged to try to correct the interference by one or more of the following measures:

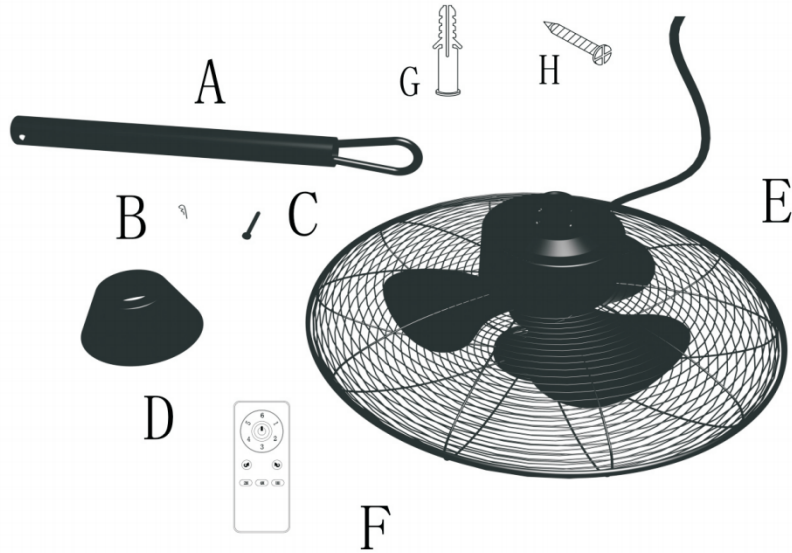
- Reorient or relocate the receiving antenna.
- Increase the separation between the equipment and receiver.
- Connect the equipment into an outlet on a circuit different from that to which the receiver is connected.
- Consult the dealer or an experienced radio/TV technician for help.

Fix the mounting bracket to the ceiling with a ceiling bearing capacity of 22.7KG (50LBS) or more. Attach the fan to the bracket so that the fan blade floor is at least 3.05 meters (10feet) or higher

PREPARATION

Before beginning assembly of the product, make sure all parts are present. Compare parts with package contents list and hardware contents list. If any part is missing or damaged, do not attempt to assemble the product.

PACKAGE CONTENTS



Part	Description	Quantity
A	Downrod Hook Assembly	1
B	Clamp Pin	1
C	Cross Pin	1
D	Coupling Cover	1
E	K Fan Motor Body	1
F	Remote Control	1
G	Wall base rubber plug	2
H	lag spike	2

Total weight of the fan plus any accessories packaged with the fan: 5.95kg

ASSEMBLY INSTRUCTIONS

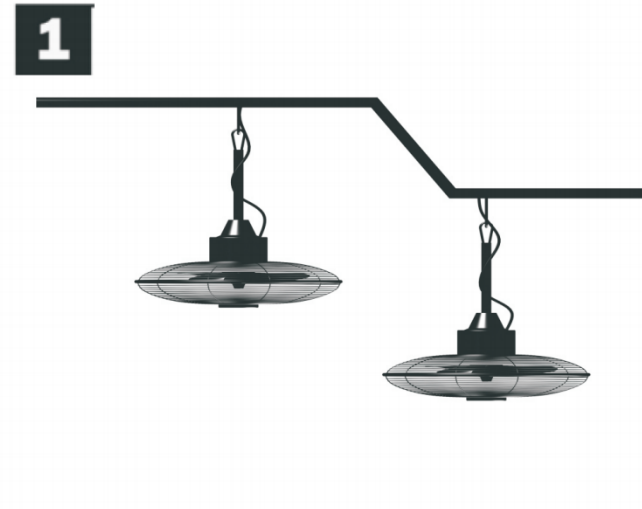
IMPORTANT: To avoid over-pull to damage the wire and plug, turn off circuit breakers and wall switch to the fan supply line leads.

1. Choose the desired mounting method:

A. Standard Mounting:

Fix the mounting bracket to the ceiling with a ceiling bearing capacity of 22.7KG (50LBS) or more. Attach the fan to the bracket so that the fan blade floor is at least 3.05 meters (10feet) or higher

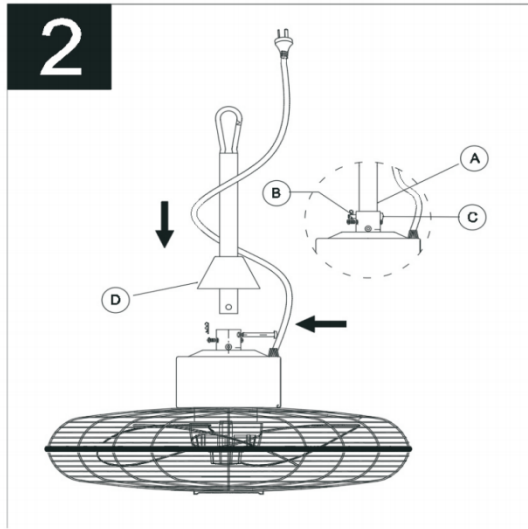
B. Angle Mounting: Angle mounting is used for vaulted ceilings. If using the angle mount, make sure the ceiling angle is not steeper than 30 degrees and the open end of the mounting bracket (not included) is up and facing the ceiling.



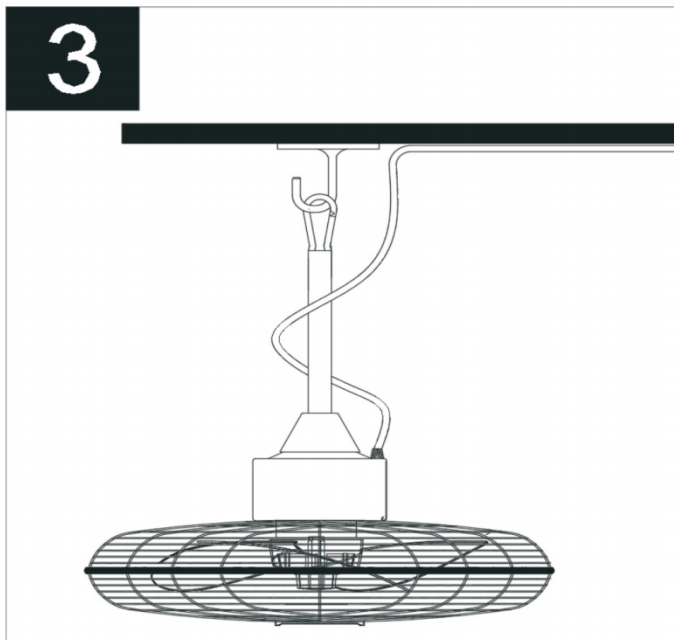
Note: The preferred mounting method is to gazebos, pergolas, porches or pagodas. However, other mounting methods are also supported. For example, the fan can be mounted on a drywall ceiling, provided the surface supports a minimum weight of 65lbs and a mounting bracket is used (not included)

- a) A means to reduce the likelihood of rotation and removal of the hook, such as a locking bar; or
 - b) A short retention chain that would support the fan if the "J" hook were unscrewed.
- The threads on the threaded portion of a "J" hook shall be a minimum of 50.8 mm (2 inches) long. The installation instructions for a ceiling-suspended fan intended to be mounted by a "J" hook shall warn against risk of fire, electric shock, or injury to persons that results from improper installation, and include instructions to attach the chain or locking bar required by 90.1.3. Recommendations for the pilot hole for mounting screws shall be provided with the installation instructions. The instructions shall specify that a single "J" hook mounting shall have means to prevent rotation after assembly to the joist through the center of the ceiling box if it is employed with a reversible fan or a fan that operates in a manner that tends to loosen the screws. Reference to this information shall be in accordance with 93.3.

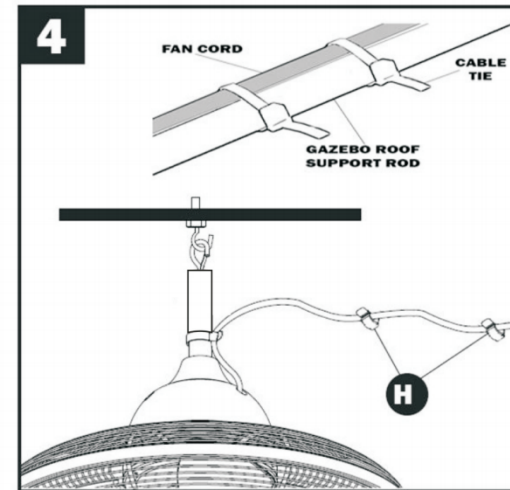
2. Insert downrod hook assembly (A) through coupling cover (B) into coupling (C). Tighten downrod hook assembly into coupling and slide the coupling cover (D)



3. Secure Fan to Gazebo center roof hook.



4. Attach the cable ties to support the cord at the downrod, and along a roof support rod as needed trim excess cable tie material if desired. Plug the power cord into a ground 3-prong outlet.



*For ceiling mount hard wire installation please consult a qualified/certified electrician.

WARNING: FOR YOUR SAFETY ALL ELECTRICAL CONNECTIONS MUST BE UNDERTAKEN BY A LICENSED ELECTRICIAN.

WARNING: Ensure the hanging structure can support a minimum weight of 65 lbs and allow enough depth for safety mounting. If you are not sure the hanging structure can support the weight, do not attempt to install this fan as it may fall and cause damage to the fan or personal injury.

Note: This equipment has been tested and found to comply with the limits for a Class B digital device, pursuant to part 15 of the FCC Rules. These limits are designed to provide reasonable protection against harmful interference in a residential installation. This equipment generates, uses and can radiate radio frequency energy and, if not installed and used in accordance with the instructions, may cause harmful interference to radio communications. However, this is no guarantee that interference will not occur in a particular installation. If this equipment does cause harmful interference to radio or television reception, which can be determined by turning the equipment off and on, the user is encouraged to try to correct the interference by one or more of the following measures: - Reorient or relocate the receiving antenna. - Increase the separation between the equipment and receiver. - Connect the equipment into an outlet on a circuit different from that to which the receiver is connected. - Consult the dealer or an experienced radio/TV technician for help. Caution: Any changes or modifications to this unit not expressly approved by the party responsible for compliance could void the user's authority to operate the equipment.