

FDI Shenzhen Representative Office  
Address: Room 506, Block 4, Fantasia MIC Plaza, No.8 Xing Gong Road, Shekou, Nanshan District, Shenzhen, Guangdong, China  
Tel.: +86 769-88769156  
Fax: +86 769-88769156  
E-mail: [beck@3ccqc.com](mailto:beck@3ccqc.com)

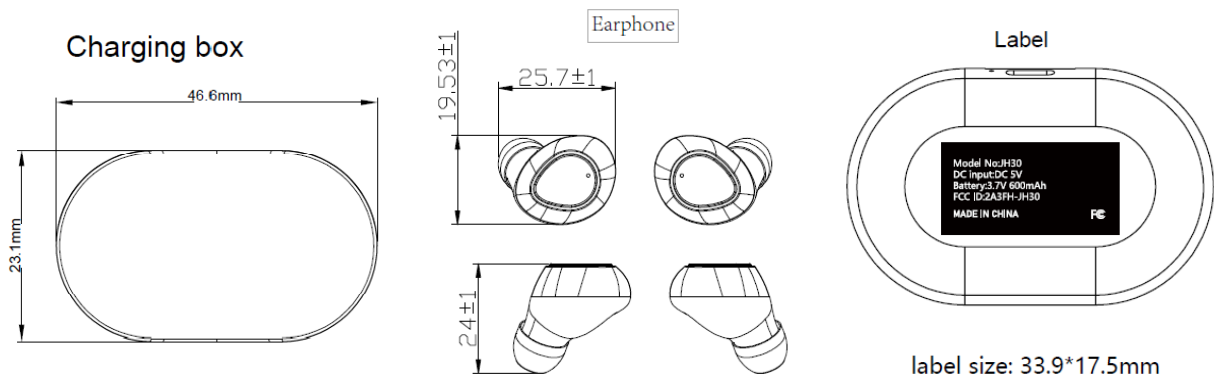
Date: 2021-11-26

To  
FEDERAL COMMUNICATIONS COMMISSION  
Authorization and Evaluation Division  
7435 Oakland Mills Road  
Columbia, MD 21046

Dear Sir/Madam,

We, FDI Shenzhen Representative Office, FCC ID: 2A3FH-JH30, hereby submits justification for placing the FCC ID label to the charging box. According to the FCC Regulation and Guidance (KDB Publication 784748 D01 v09R01) allows for the FCC to be removed to charging box if the device is unquestionably too small for the FCC ID label to be printed.

The measurement of earphone:  $24\pm 1$ (mm)\* $25.7\pm 1$ (mm)\* $19.53\pm 1$ (mm); charging box: $46.6$ (mm)\* $23.1$ (mm); Label:  $33.9$ (mm)\* $17.5$ (mm). Refer to the above quote, as the headset are too small for the FCC ID label to be printed, so the FCC ID label will be moved to the charging box. For details, please see below photos:



Sincerely,

Signature

*Beck Song*

Name: Beck Song

Title: PM