

Dongguan feitianqi Trading Co., Ltd
ADD: Room 301, No. 74, Xinlian Jiuxiang, Humen Town,Dongguan City,Guangdong Province China
TEL: 18566621145
E-mail: feitianqi2021@163.com

Date:2022-3-1

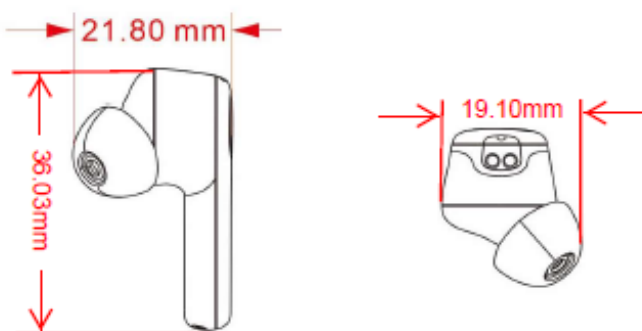
To
FEDERAL COMMUNICATIONS COMMISSION
Authorization and Evaluation Division
7435 Oakland Mills Road
Columbia,MD 21046

Dear Sir/Madam,

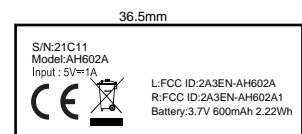
We,Dongguan feitianqi Trading Co., Ltd, FCC ID:2A3EN-AH602A, hereby submits justification for placing the FCC ID label to the charging box. According to the FCC Regulation and Guidance (KDB Publication 784748 D01 v09R01) allows for the FCC to be removed to charging box if the device is unquestionably too small for the FCC ID label to be printed.

The measurement of left headset: Length (36.03mm)*Width (21.8mm)*High (19.1mm), label: Length 36.5(mm)*Width25.8(mm), charging box:57.34(mm)*46.44 (mm)*28.99(mm).Refer to the above quote, as the headset are too small for the FCC ID label to be printed, so the FCC ID label will be moved to the charging box. For details, please see below photos:

Headset



Label



L:FCC ID:2A3EN-AH602A
R:FCC ID:2A3EN-AH602A1
Battery:3.7V 600mAh 2.22Wh

Charging box



Sincerely,

Printed Name: Derric Bai
Title: Manager

Derric Bai