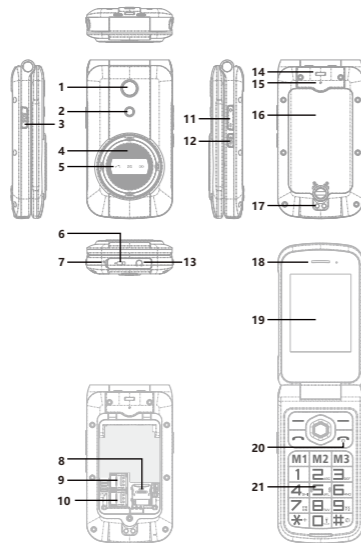


Quick Start Guide

NOTICE

Features of the product and its accessories described herein rely on the software, phone internal memory and local networks, and may not be activated or may be limited by local network operators or service providers. Therefore, the descriptions herein may not exactly match the purchased product or its accessories. The manufacturer reserves the rights to change or modify any information or specifications contained in this manual without prior notice or obligation. The manufacturer is not responsible for the legitimacy or quality of any products that you may upload or download through this device including but not limited to text, images, music, movies, and non-integral software. Any consequences arising from the usage of the preceding products on this device is the responsibility of the user.



1

DESCRIPTION DES FONCTIONS

- 1> CAMERA(2MP)**
- 2> LED**
LED flash light.
- 3> SOS KEY**
Press and hold for 5 seconds to activate the SOS function.
- 4> LOUDSPEAKER**
Waterproof speaker.
The speaker volume may become lower after immersion in water but will recover once dry.
- 5> Reminder light**
Missed Calls/Missed SMS/Charging reminder
- 6> USB Type-C port and Waterproof Rubber Cover**
- 7> Main Microphone**
>For talking and voice recording. Do not touch with hard pin.
- 8> Micro SD CARD TRAY**
Open the micro SD card tray and install SD card (contacts face down). Please note that micro SD cards are not supplied with the device.
- 9> SIM TRAY 1**
Align Nano SIM according to the note on metal (contacts face down). Only one SIM will deliver 4G service when two SIMs are inserted.
- 10> SIM TRAY 2**
Align Nano SIM according to the note on metal (contacts face down). Only one SIM will deliver 4G service when two SIMs are inserted.
- 11> Volume Key**
>Press to increase/decrease the phone volume.
>Press to mute the phone during an incoming call.
- 12> Torch**
- 13> 3.5mm Headphone Jack and Waterproof Rubber Cover**
- 14> Rope hole**
- 15> Air Pressure Balance Hole**
- 16> OUTER BATTERY DOOR**
- 17> Charging Connection Spots**
Desktop dock connection spots.
- 18> RECEIVER**
Waterproof receiver for receiving calls.
Do not touch with hard materials.
- 19> Display**
2.8inches Display
- 20> PPOWERING YOUR DEVICE ON/OFF**
POWER ON
Press and hold POWER key.The default language is English, please go to Settings if need change a language.
POWER OFF
Press and hold POWER key.Select Power off.
- 21> KEYPAD**
Use to input numbers and letters.

2

GETTING STARTED

WATERPROOF WARNING:
AGM_M8_FLIP is IP68/IP69K/MIL-STD-810H certified. Battery doors and USB port cover must be completely closed to prevent water damage.

INSTALLING A NANO SIM CARD OR MICRO SD CARD

1. Place your device on a flat, clean surface with the display facing downwards.
2. Open the battery door with a screwdriver.
3. Take out the battery from top.
4. Align Nano SIM according to the graphic note and use your fingertip to place the Nano SIM card in the SIM 1/ SIM 2 tray with gold pins facing downwards.
5. In case A MEMORY CARD need to install, please Open the micro SD card tray by slide the metal cover in the direction of the 'Open' arrow (which you' ll find stamped on the metal tray) and lift the unhinged edge to open. Install the microSD card (contacts face down), finally close the metal cover and slide in the direction of the 'Lock' arrow, to secure in the closed position.
6. Reinsert the battery and outer battery door.

NOTE:

DUAL SIM DEVICE: Supports 2x Nano SIM card and 1x microSD card. When 2 SIM cards are in use, the primary SIM card supports 4G, 3G and 2G connections, the secondary SIM card supports 2G connections only.

CHARGING THE BATTERY

- Before using your device for the first time you will need to charge the battery.
1. Remove the insulation tape (if have) from the battery contacts.
 2. Connect the USB power cable to the charging power adapter. AGM M8 is an Eco-friendly mobile device, which does not come along with a power adapter in the box in editions of some areas. AGM M8 supports CE/CB/FCC/CCC/EAC or equivalent certified chargers. The recommended charger output is 5V/1A or 5V/2A. Uncertified equipment may cause damage to the device or cause batteries to explode.
 3. Open the USB Type-C port cover and connect the USB power cable to the port.Be careful not to use excessive force when plugging the cable. Any damage caused by attempting to insert the connector incorrectly is not covered by the warranty.
 4. Plug the charger into an AC mains socket.
 5. When charging is complete, remove the cable from the device, then unplug the power adapter from the mains socket. Close the USB port cover on the device.
 6. AGM M8 supports cradle charger, which need purchase the charger separately.

3

COMMON FUNCTIONS

Set M1/M2/M3 Key

1. When the user clicks the M1/M2/M3 button for the first time, a warning prompt will pop up. Click OK to enter the editing interface.For example, select M1 to enter the phone number and save it. When the user clicks the M1 button again, they can directly dial their saved phone number.
2. When the user wants to modify the phone number saved by the M1/M2/M3 button, click on the main menu>Settings>Speed dial, and select the M1/M2/M3 button to edit it again.

VOLUME TUNING

In home menu, press NAVI-up/down to enter Sound menu and adjust the volume.

Lock/Unlock the screen

When the screen is woken up, press LEFT SOFT KEY and "*" to unlock/lock the phone.

TORCH SWITCH

Long press the side key to turn on/off the torch.
When the screen is unlock, long press the "0" key to turn on/off the torch.

RING/MUTE/VIBRATE MODE/#

Press and hold # key to change modes of RING, MUTE and VIBRAT

Making a call

Unlock the phone and press digit number to make a callSelect and enter Contacts menu and choose a person to make a call.

Sending an SMS/MMS*

Select and enter Messaging menu to write SMS or MMS.MMS is dependent on the APN settings and it may not work with some SIM cards. The M8 does not support automatic settings updates sent by your network provider.

Volte call*

Volte calling is supported in some areas and only with some SIM cards.The signal bar place will show "4G" or "HD" or "VoLTE" during calling if Volte is working.

RESET TO FACTORY DEFAULT

Reset code is 1234

4

WARNING



At full volume, extended use of the mobile audio player may damage the user's hearing.

DISPOSAL AND RECYCLING INFORMATION



This symbol on the device (and any included batteries) indicates that they should not be disposed of as normal household garbage. Do not dispose of the device or batteries as unsorted municipal waste. The device (and any batteries) should be handed over to a certified collection point for recycling or proper disposal at the end of their life.

COMPLIANCE

This device complies with the essential requirements and other provisions contained in Directive 2014/53/EU.

Basic information of manufacturer

SHENZHEN AIJEMO SCIENCE AND TECHNOLOGY CO.,LTD
Copyright © AGM Mobile Limited
2021. All rights reserved.

THIS DOCUMENT IS FOR INFORMATION PURPOSES ONLY, AND DOES NOT CONSTITUTE ANY KIND OF WARRANTY.

5