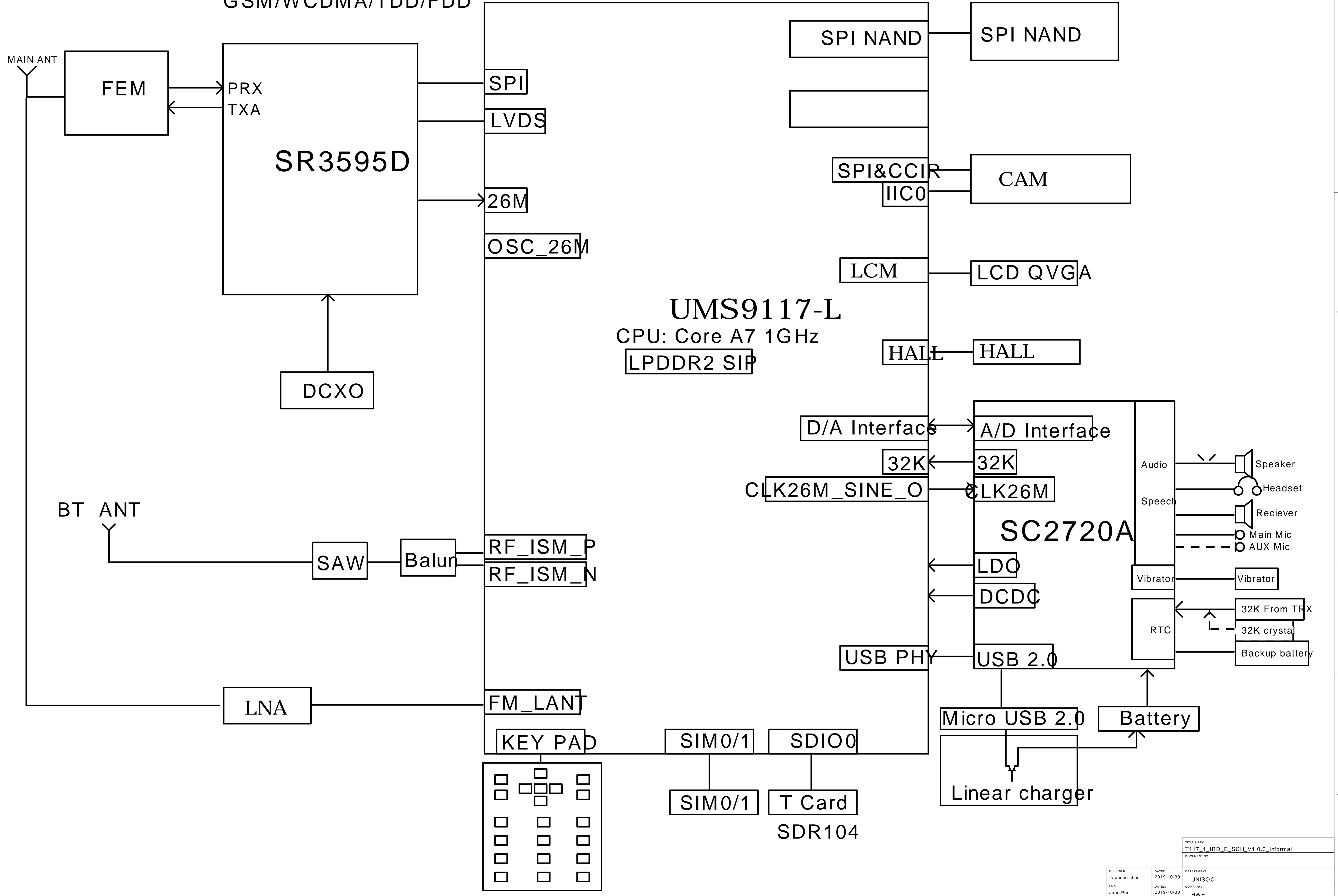


BLOCK DIAGRAM

REVISION RECORD			
LTR	ECO NO.	APPROVED	DATE

GSM/WCDMA/TDD/FDD



TITLE & REV:			
T117_1_IRD_E_SCH_V1.0.0_Informal			
DOCUMENT NO.:			
DESIGNER:	DATED:	DEPARTMENT:	
Japhone.chen	2019-10-30	UNISOC	
EGA:	DATED:	COMPANY:	
Jane.Pan	2019-10-30	HWE	
APPROVED:	DATED:		
Xiaofeng.Yuan	2019-10-30		
CONFIDENTIAL AND PROPRIETARY			