

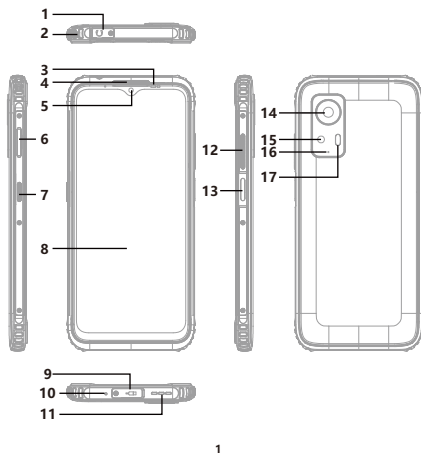
Quick Start Guide

English

Thank you for choosing AGM!

Features of the product and its accessories described herein rely on the software, phone internal memory and local networks, and may not be activated or may be limited by local network operators or service providers. Therefore, the descriptions herein may not exactly match the purchased product or its accessories. The manufacturer reserves the rights to change or modify any information or specifications contained in this manual without prior notice or obligation. The manufacturer is not responsible for the legitimacy or quality of any products that you may upload or download through this device including but not limited to text, images, music, movies, and non-integral software. Any consequences arising from the usage of the preceding products on this device is the responsibility of the user.

AGM_H6



DESCRIPTION DES FONCTIONS

1> 3.5mm Headphone Jack and Waterproof Rubber Cover.

Supports Nano SIM and Micro SD card.

2> Rope hole.

3> Sensors.

Optical proximity sensor and Ambient light sensor.

4> Receiver.

Waterproof receiver. Do not touch with hard pin.

5> Front Camera(8MP).

Takes front facing photos.

6>SIM/SD Tray.

Supports Nano SIM and Micro SD card.

7> USER DEFINED KEY.

*When the user first turns on the phone, the keys are set to no operation by default.

*Users can customize the key settings according to their personal needs in three ways: Click on Settings > Key Functions, where they can choose from single-click/double-click/long-press options. Under each menu, they can select no operation /start recording /turn on the flashlight /take a screenshot.

8>Display.

6.56"HD+ 720*1612 pixels

9>USB Type-C port and Waterproof Rubber Cover.

10>USB Type-C port and Waterproof Rubber Cover.

11> LOUDSPEAKER.

Waterproof speaker.

The speaker volume may become lower after immersion in water but will recover once dry.

12>Volume Key.

Press to increase/decrease the phone volume.

Press to mute the phone during an incoming call.

13> Fingerprint/Power Key.

Fingerprint sensor.

Long press power key to power phone on/off.

Short press power key to lock/unlock the screen.

14> Main Camera(50MP).

Takes photos and videos.

15> Macro Camera(2MP).

16> Air Pressure Balance Hole.

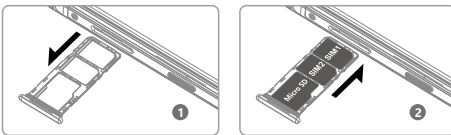
17>LED.

LED flash light.

GETTING STARTED

Waterproof warning:

1. **AGM_H6** is IP68/IP69K/MIL-STD-810H certified.
2. USB waterproof rubber cover and SIM/SD tray waterproof rubber cover must be completely closed to prevent water damage.
3. If the phone does come in to contact with water, it may affect the audio for a short period. In this case please dry the phone using a clean cloth and then allow it to stand and dry naturally for 30 minutes. This should restore the audio to the correct position.
4. Please do not use any other method, hairdryers for example, other than that listed above to dry your phone as this will affect the phone performance.



Installing the SIM and Micro SD card:

1. Pull out the SIM card tray with your finger.
2. Place Nano-SIM in inside position.
3. Place Micro SD card in outside position.
4. Make sure that the Nano-SIM and Micro SD card the cut corner aligned with tray in the correct position as per the diagram shown above.

NOTE:

1. The **AGM_H6** supports dual SIM dual standby but single pass. This means that you cannot use both SIM cards for calls or data services simultaneously.
 2. A cut SIM card or any other non-standard cards are not allowed. Those non-standard cards may not be recognized by the phone and can damage the tray.
 - 3.*After you insert the card, communication and network services require support from the operator. Any expenses incurred for calls, data, and other services will be charged by the operator corresponding to the card you have chosen.
- *Your network usage status and the services you can enjoy depend on the deployment status of the operator you have chosen in the local area.

BATTERY AND CHARGING

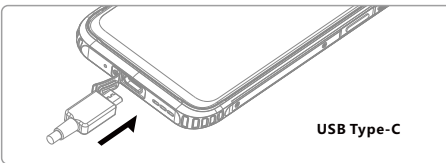
Note: The AGM_H6 battery is not removable.

Standby time:

1. The **AGM_H6** standby time is dependent on different working environments.
 2. **AGM_H6** receiving a weak network signal and operating at low temperature will have a shortened standby time.
- Screen brightness, system settings, games, music, video, location services, camera, Bluetooth, Wi-Fi and applications consume the most battery power.

Charging the Phone:

1. Open the USB Type-C port cover and connect the USB power cable to the port. Be careful not to use excessive force when plugging the cable. Any damage caused by attempting to insert the connector incorrectly is not covered by the warranty.
 2. Connect the USB power cable to the charging power adapter.
 - ***AGM_H6** supports CE/CB/FCC/EAC or equivalent certified chargers. The recommended charger output is 5V/2A. Uncertified equipment may cause damage to the device or cause batteries to explode.
 3. Plug the charger into an AC mains socket.
 4. When charging is complete, remove the cable from the device.
- *Close the USB port cover on the device.



Tips:

1. The optimum working temperature for the **AGM_H6** is from 0°C~40°C. Charging the PAD outside this temperature range will damage the battery and shorten battery life.
- * Please do not charge the Phone under extremely low or high temperature, Please charge the phone under 5°C~40°C. Otherwise the battery will be damaged or exploded.
2. Please use the certified charger and cable to ensure maximum performance and safety.

3. Please note that the battery will still discharge itself even when the Phone is not in use and switched off. If you plan to not use the unit for an extended period, you should still charge it a least every two months to prevent complete power loss and to protect your data.

FREQUENTLY USED FUNCTIONS

Lock/Unlock the screen:

Press the POWER key.

The phone screen will be locked when the phone is not in use.

Unlocking the phone:

Press the POWER key to unlock the screen and slide the screen up to unlock the phone.

Taking a Screenshot:

Press the POWER key and VOLUME DOWN key at the same time.

Making a call:

1. Touch the phone icon on home screen.
2. Open dial pad and input phone number.
3. Touch the call record icon to check call records.
4. Touch contact icon to check contact menu.

Sending a MSM:

1. Touch the message icon on home screen.
 2. Create a new message.
 3. At the top of the screen, enter a phone number or select a contact.
- Type your message, then send.

Send an email:

1. Touch the Email icon on the Home or All Apps screen
2. If you have already signed into an Email account during setup, your email will be synchronized to your device. Otherwise, add an email address now.

WIFI Connection:

1. Touch the Settings icon to enter Settings menu.
2. Touch the WIFI icon to enable or disable WIFI.

Enabling Data:

1. Touch the Settings icon to enter the Settings menu.
2. Touch the SIM card icon to enable data connection.
3. Disable data connection when not use.

Location Services:

1. Touch Settings icon to enter Settings menu.
2. Touch Location icon to turn on/off location services.
3. Turn off Location Services to save power when not in use.

Adding a Language:

1. Touch the Settings icon to enter Settings menu.
2. Touch the Language icon and select Language.
3. Touch Add icon to choose your language.
4. Press and Hold the language you have chosen and move to top.

Normal Photo/Video:

1. Touch the Camera icon to activate camera menu.
2. Touch the shot icon to take a photo.
3. Touch the switch icon to switch rear and front camera.
4. Touch the view icon to check photo or video history.
5. Touch the video icon to shoot a video.

Macro Photo:

1. Touch the Camera icon to activate camera menu.
2. Touch the Macro mode icon to enter macro mode.
3. Put the phone camera close to object.
4. Touch the shot icon to take a macro photo.

FUNCTIONS SHORTCUT MENU:

1. Pull down from status bar and open notification panel.
2. Press the shortcut icon to activate/ de-activate the functions.

Google apps

Google provides entertainment, social network, and business apps. You may require a Google Account to access some apps. Refer to Accounts for more information.

To view more app information, access each apps in the help menu. Tips: Some apps may not be available or may be labelled differently depending on the region or service provider.

Chrome

Search for information and browse webpages.

Gmail

Send or receive emails via the Google Gmail service.

Maps

Find your location on the map, search for locations, and view location information for various Places.

YT Music

Discover, listen to, and share music on your device.

Play Movies & TV

Watch videos stored on your device and download various content to watch from the Play Store.

Drive

Store your content on the cloud, access it from anywhere, and share it with others.

Google

Search quickly for items on the Internet or your device.

Play Store

Download third-party apps from the Play Store

Duo

Video and voice calls over the network.

Google, Google Play, Gmail, Chrome and other marks are trademarks of Google LLC.

WARNING



At full volume, extended use of the mobile audio player may damage the user's hearing.

DISPOSAL AND RECYCLING INFORMATION



This symbol on the device (and any included batteries) indicates that they should not be disposed of as normal household garbage. Do not dispose of the device or batteries as unsorted municipal waste. The device (and any batteries) should be handed over to a certified collection point for recycling or proper disposal at the end of their life.

COMPLIANCE

This device complies with the essential requirements and other provisions contained in Directive 2014/53/EU.

Basic information of manufacturer

SHENZHEN AIJIEMO SCIENCE AND TECHNOLOGY CO.,LTD
Copyright AGM Mobile Limited
2023. All rights reserved.

THIS MANUAL IS FOR REFERENCE ONLY, THE ACTUAL FUNCTIONS AND PRODUCT MAY BE SLIGHTLY DIFFERENT FROM THIS MANUAL, PLEASE REFER TO THE ACTUAL PRODUCT.