

ENT Antenna specification

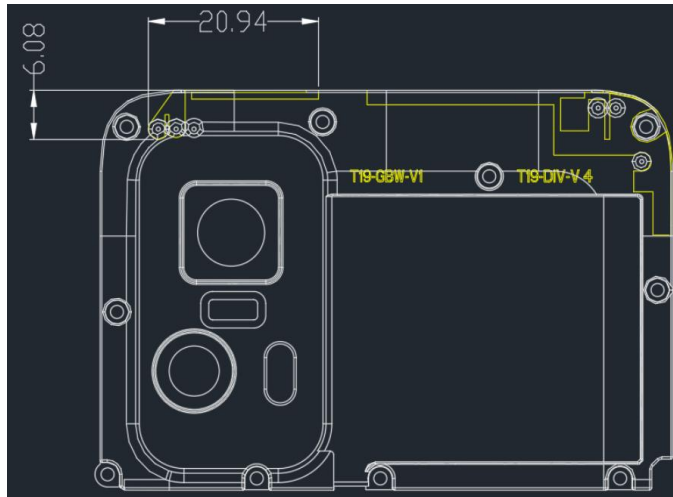
Antenna type: PIFA

Model: T19-GBW-V1

Manufacturer: Shenzhen 3Good Wireless Communication Co., Ltd

Band: WIFI2.4G/5G/BT, 2400MHz~2500MHz&5150MHz~ 5850MHz

1. Picture1 -Antenna position and size



All of Implementation antenna

WiFi/BT 2.4G: 2400MHz~2500MHz

WiFi5G: 5150MHz~ 5850MHz

2. o Number of antennas: (number, as well as whether they are external, internal, removable or fixed)

one internal antennas, the position above picture1

o Brand of the antenna: (brand, unless it has no brand we will put it without brand)

Manufacturer: 3Good Wireless

WIFI/BT: T19-GBW-V1

WIFI5G: T19-GBW-V1

o Model of the antenna: (It is suggested to declare without model if you do not have this unless otherwise indicated)

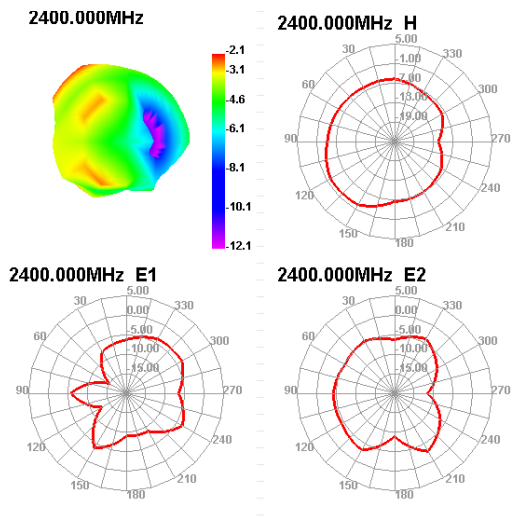
WIFI/BT: PIFA (LDS)

WIFI5G: PIFA (LDS)

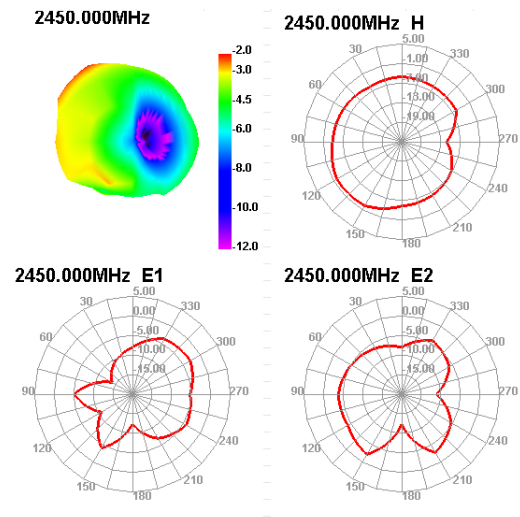
o Antenna gain: (dBi)

	Frequency (MHz)	Gain(dBi)
WIFI2. 4G/BT	2400	-1.4
	2450	-0.99
	2483. 5	-2.29
WIFI5G	5150-5250	0.84
	5280-5350	0.59
	5470-5725	0.46
	5725-5850	0.13

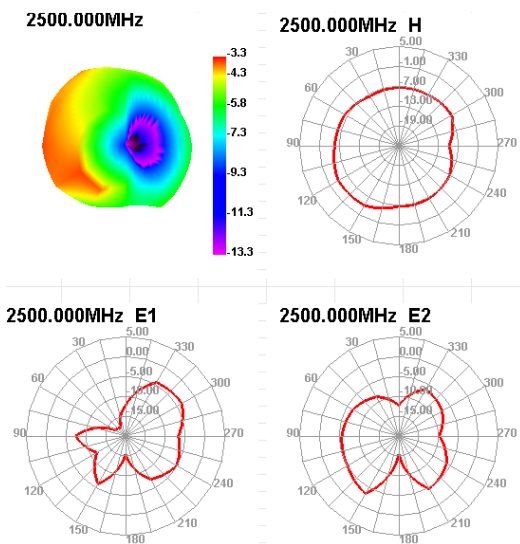
3D_Graphs
2400MHz



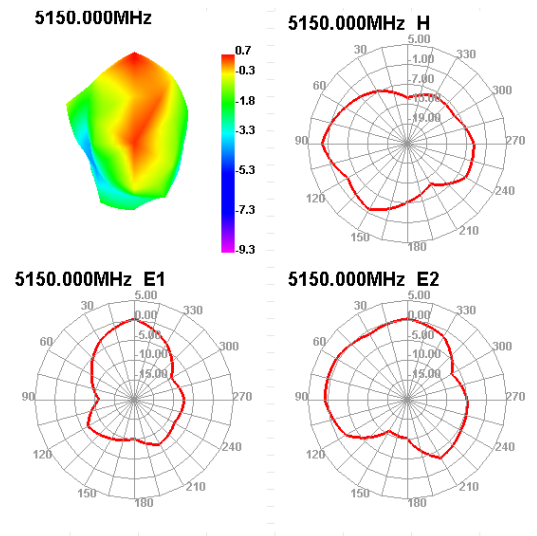
2450MHz



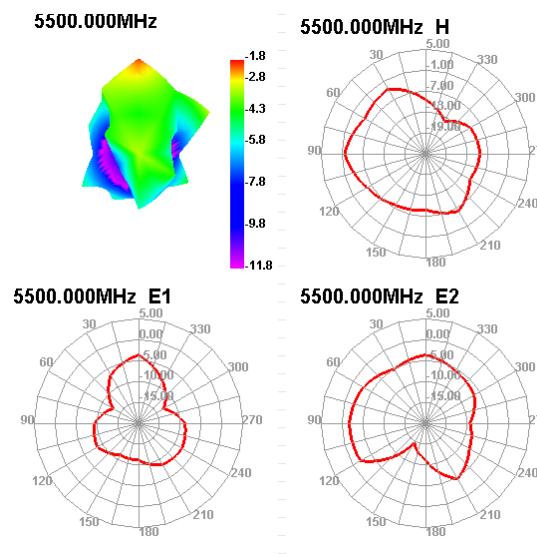
2500 MHz



5150MHz



5500MHz



5850 MHz

