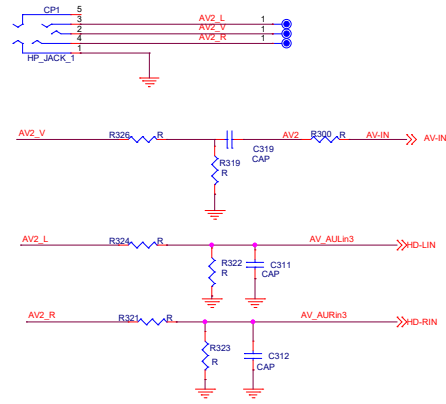
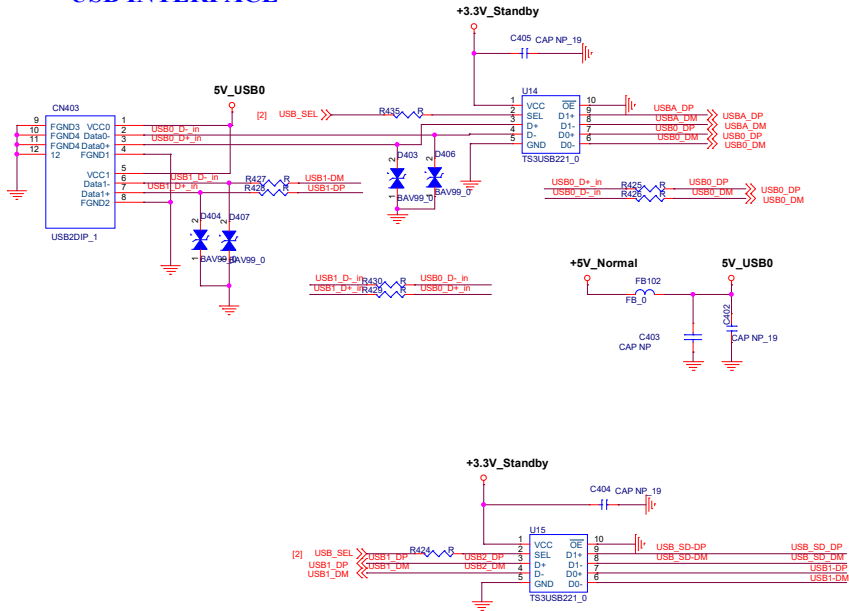
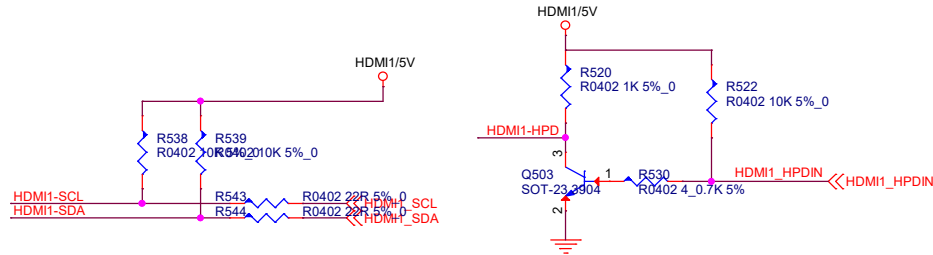
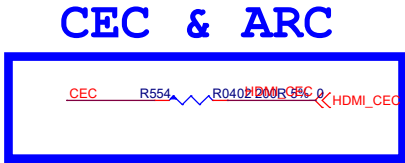
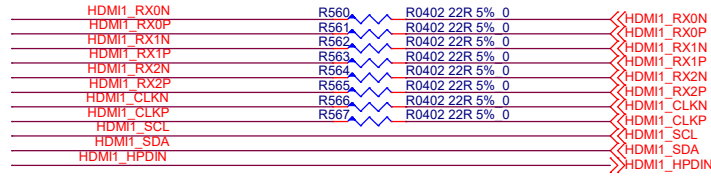
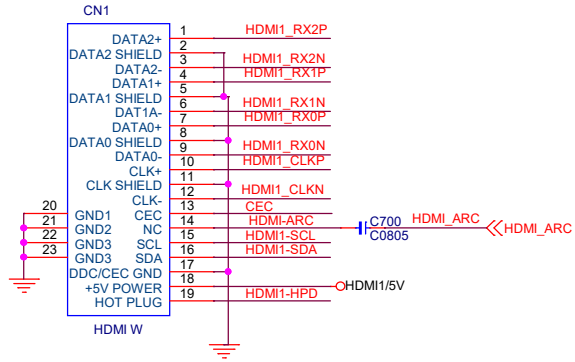


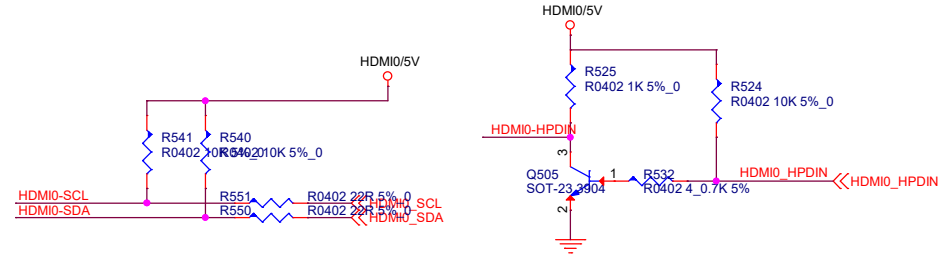
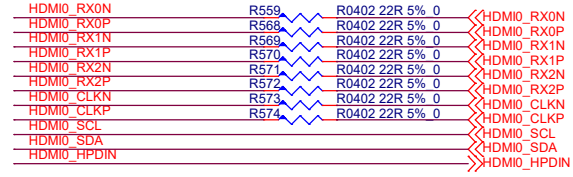
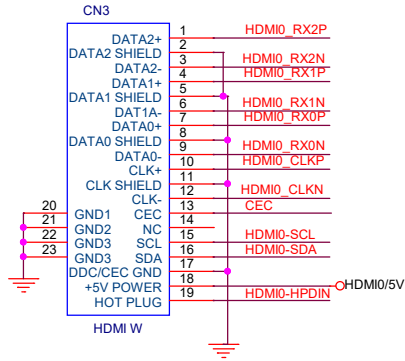
USB INTERFACE

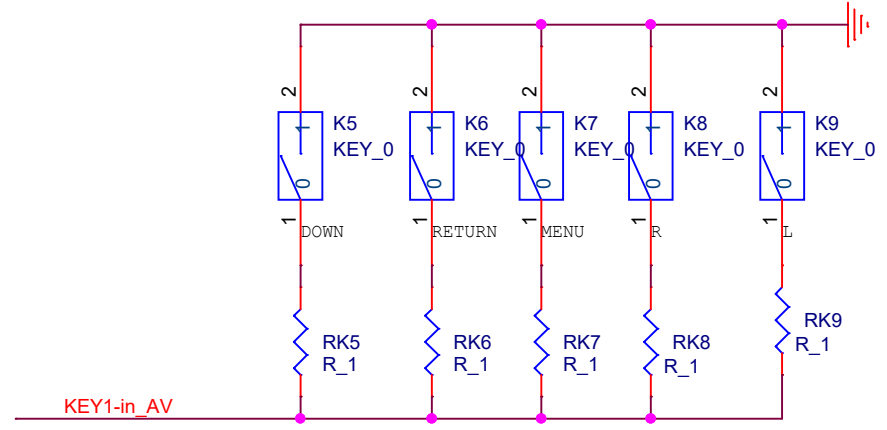
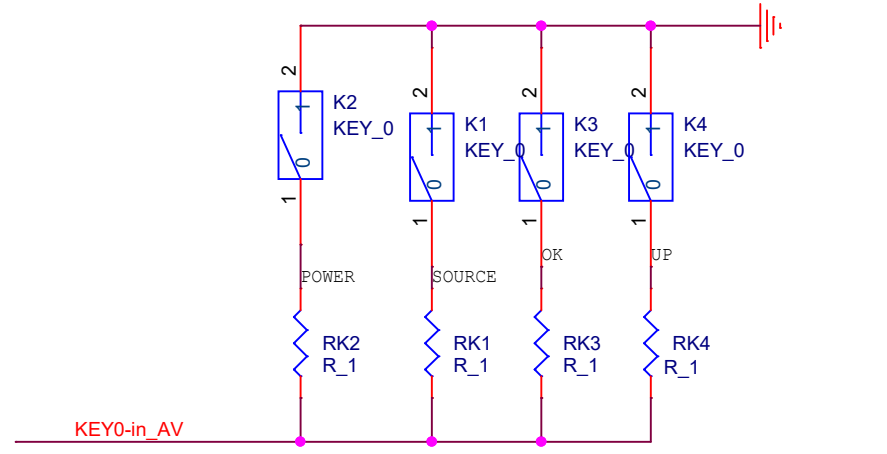
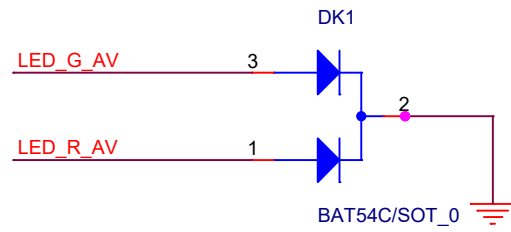
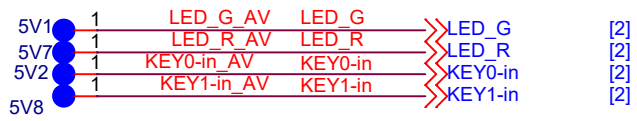


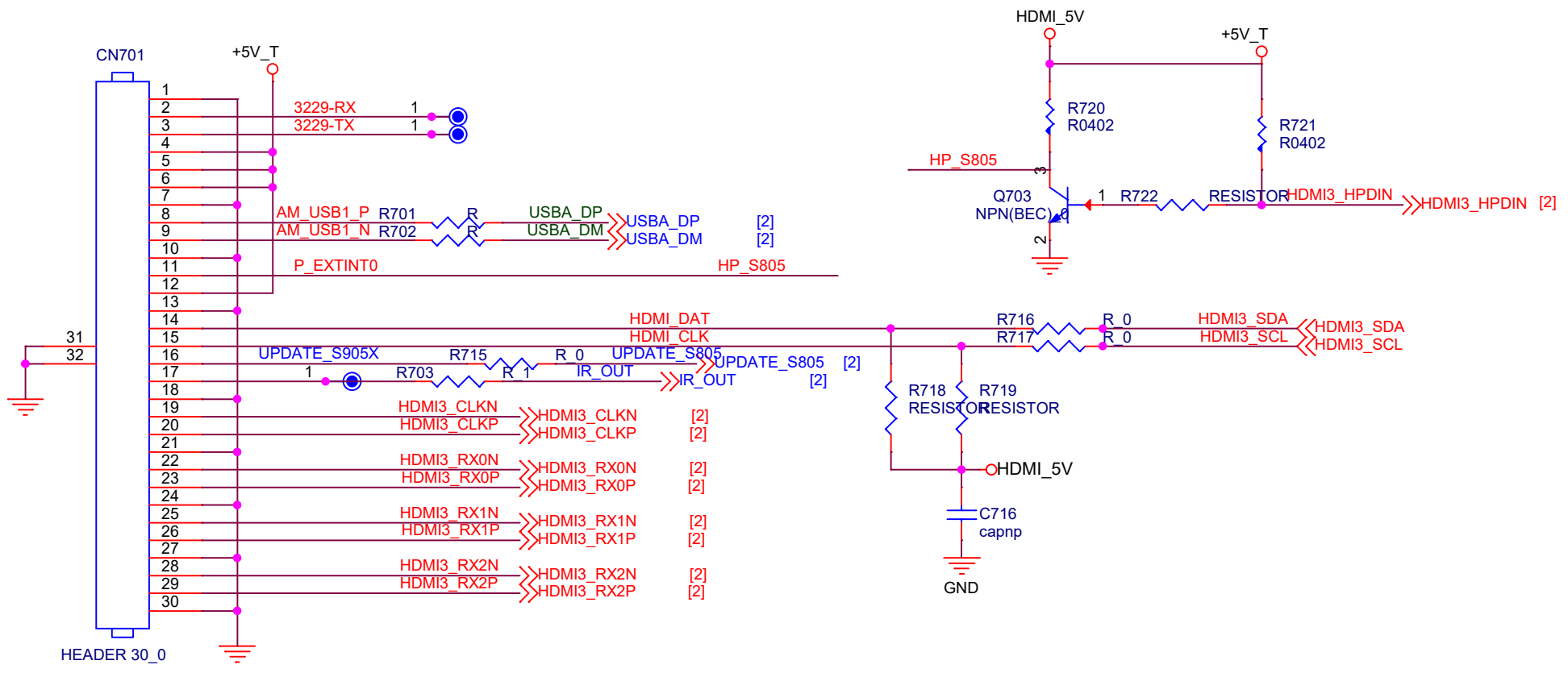
HDMI 1 (MHL)

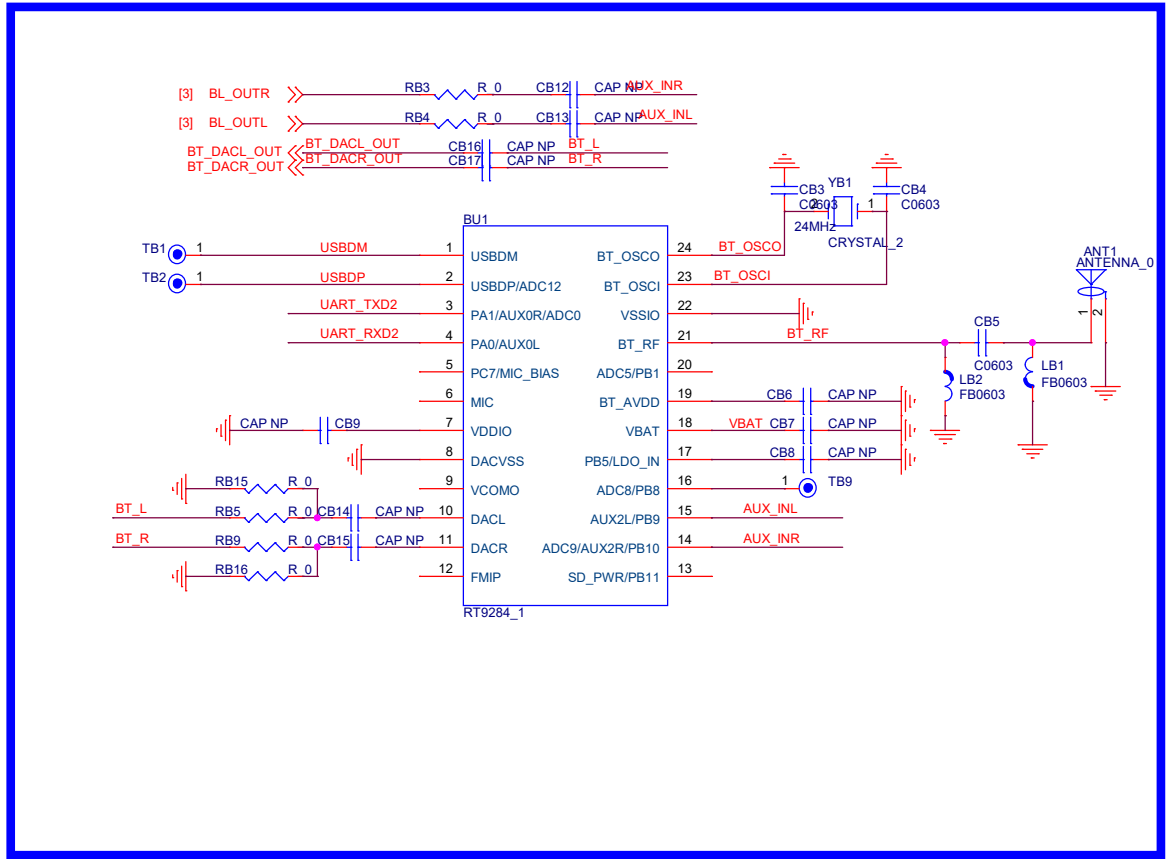
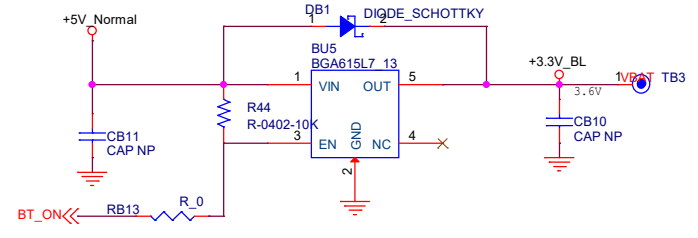
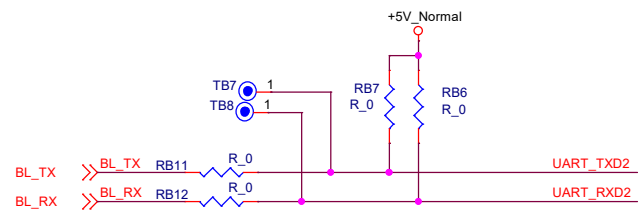
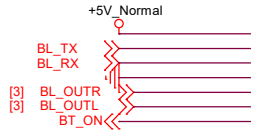


HDMI 2 (MHL)









U32I
 DSP_RK3036-G
 BGA236_12R00X12R00X1R28

I2S

GPIO1_A0/I2S_MCLK_d
 GPIO1_A1/I2S_SCLK_d
 GPIO1_A2/I2S_LRCK_RX/PWM0_d
 GPIO1_A3/I2S_LRCK_TX_d
 GPIO1_A5/I2S_SDL_d
 GPIO1_A4/I2S_SDO0_d
 GPIO2_D6/I2S_SDO1_d
 GPIO2_D5/I2S_SDO2_d
 GPIO2_D4/I2S_SDO3_d

D17
 C17
 E15
 D16
 D15
 B17
 C16
 C15
 B16

WIFI_PWR_ON << WIFI_PWR_ON

SDMMC1 / I2S1

GPIO0_B3/SDMMC1_D0/I2S1_LRCK_RX_u
 GPIO0_B4/SDMMC1_D1/I2S1_LRCK_TX_u
 GPIO0_B5/SDMMC1_D2/I2S1_SDL_u
 GPIO0_B6/SDMMC1_D3/I2S1_SCLK_u
 GPIO0_B1/SDMMC1_CLKO/I2S1_MCLK_u
 GPIO0_B0/SDMMC1_CMD/I2S1_SDO_u

F17
 G16
 G17
 H15
 F16
 G15

U32F
 DSP_RK3036-G
 BGA236_12R00X12R00X1R28

MAC

GPIO2_C3/MAC_TXD0_d
 GPIO2_C2/MAC_TXD1_d
 GPIO2_C1/MAC_RXD0_d
 GPIO2_C0/MAC_RXD1_d
 GPIO2_D1/MAC_MDC_d
 GPIO2_B7/MAC_RXER_d
 GPIO2_B6/MAC_CLK_IN/MAC_CLK_OUT_d
 GPIO2_B5/MAC_TXEN_d
 GPIO2_B4/MAC_MDIO_d
 GPIO2_B2/MAC_CRSD_d

U11
 T11
 R10
 T12
 U12
 U13
 R11
 R13
 T13
 U14

I2C/PWM

GPIO0_A0/PWM1/I2C0_SCL_u
 GPIO0_A1/PWM2/I2C0_SDA_u
 GPIO0_A2/I2C1_SCL_u
 GPIO0_A3/I2C1_SDA_u
 GPIO2_C5/I2C2_SCL_u
 GPIO2_C4/I2C2_SDA_u

U15
 T15
 R14
 R15
 T16
 U16

SPDIF

GPIO0_D4/SPDIF_d

N13

GPIO

GPIO2_A7_d
 GPIO2_B0_u
 GPIO2_B1_d
 GPIO2_B3_d
 GPIO0_D2_d

N2
 M2
 L3
 N1
 E16

Recover <<

GPIO0_D3/IR_d

E17

IR <<

GPIO0_C4/DRIVE_VBUS_d

T14

UART

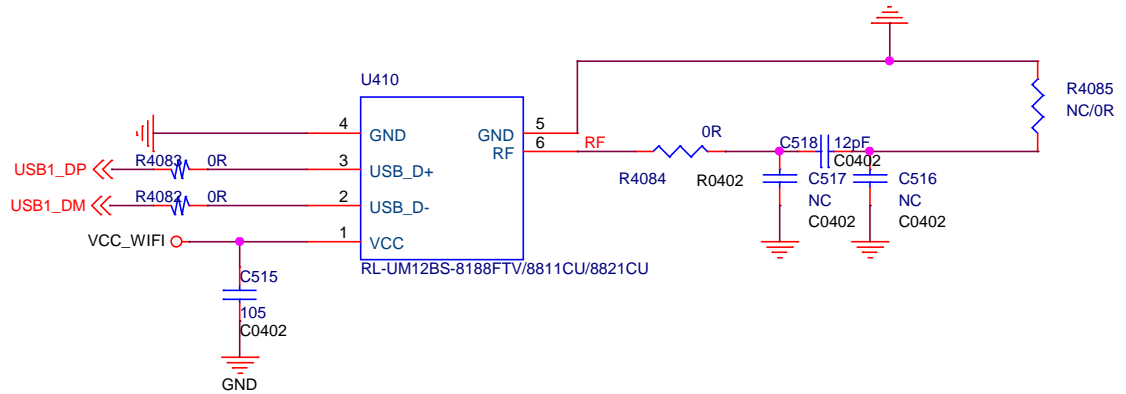
GPIO0_C0/UART0_TX_d
 GPIO0_C1/UART0_RX_u
 GPIO0_C2/UART0_RTSN_u
 GPIO0_C3/UART0_CTSN_u

B15
 C14
 A17
 A16

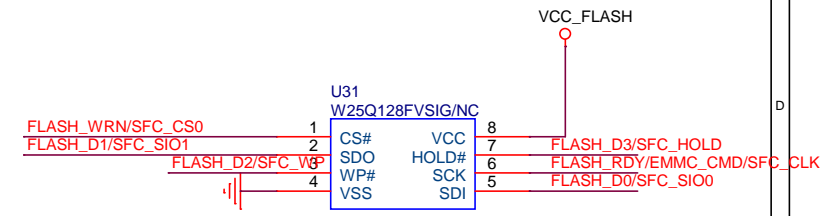
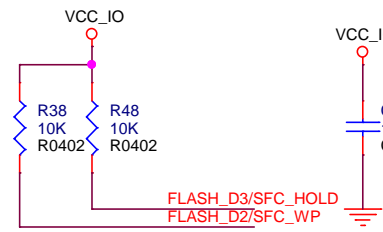
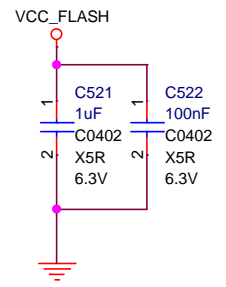
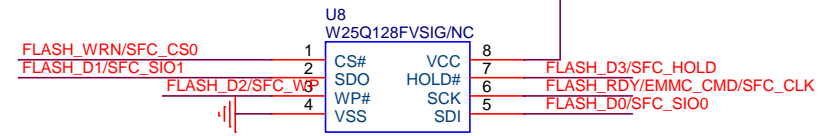
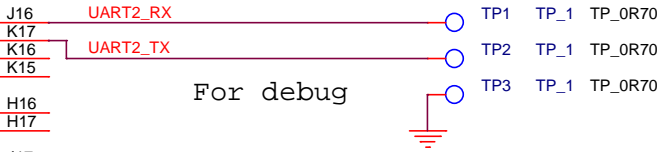
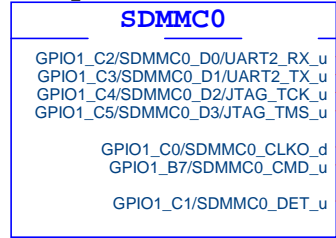
UART0_TX <<
 UART0_RX <<

GPIO2_C6/UART1_RX_u
 GPIO2_C7/UART1_TX_d

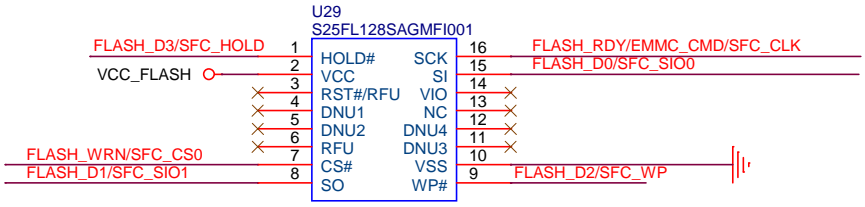
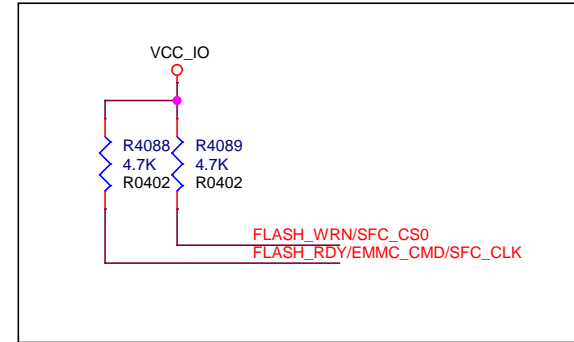
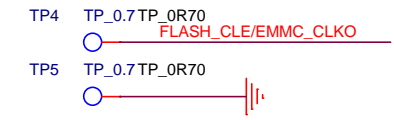
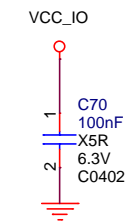
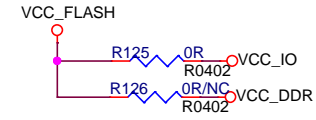
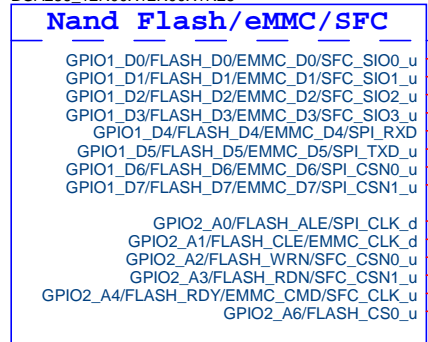
P1
 P2



U32H
DSP_RK3036-G
BGA236_12R00X12R00X1R28

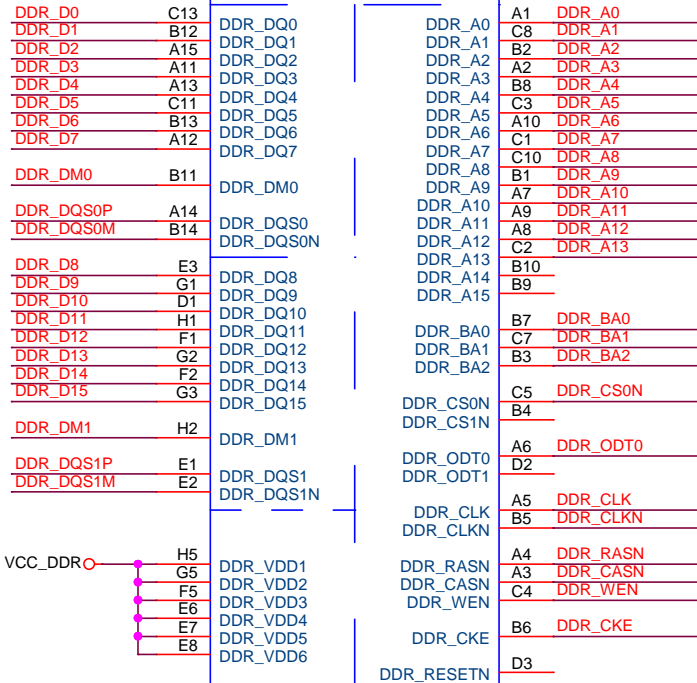


U32G
DSP_RK3036-G
BGA236_12R00X12R00X1R28

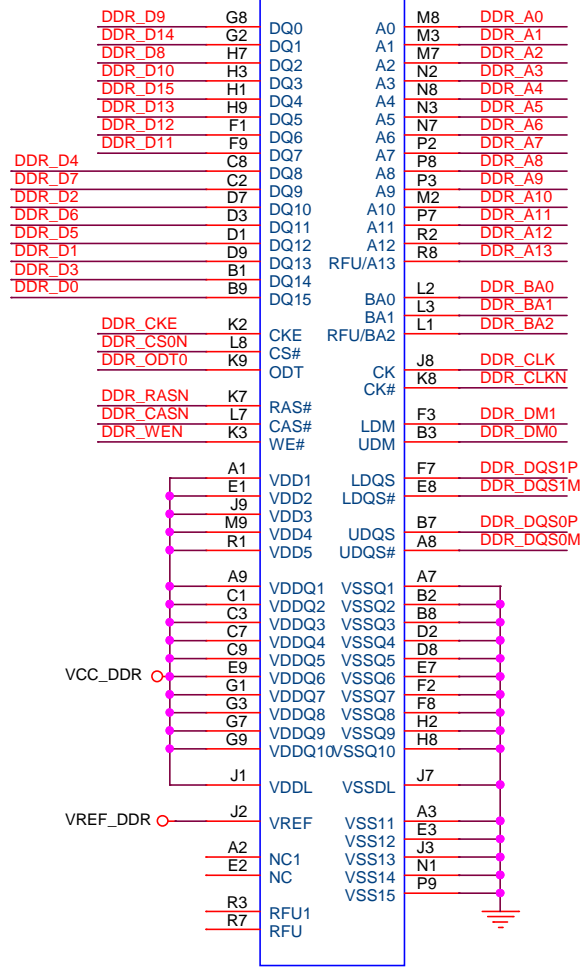


U32A
 DSP_RK3036-G
 BGA236_12R00X12R00X1R28

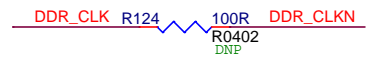
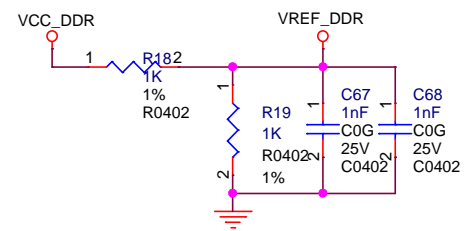
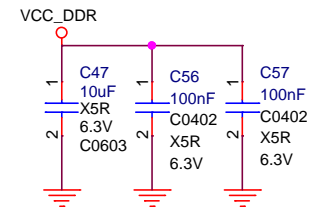
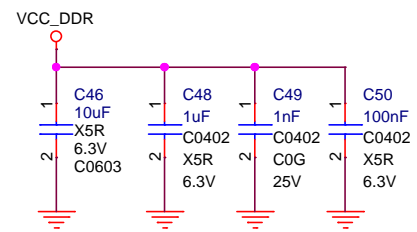
Memory



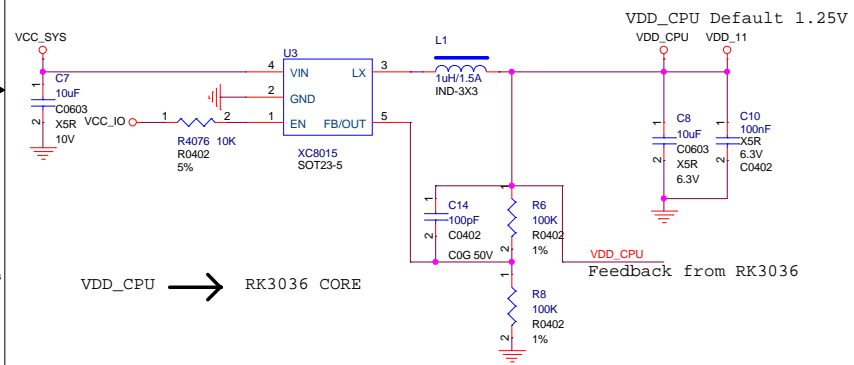
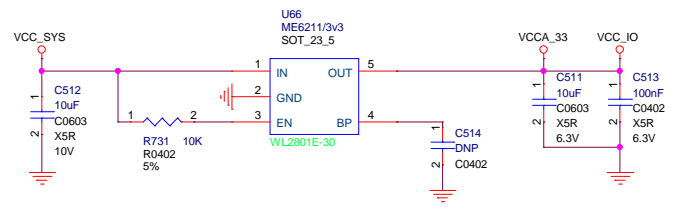
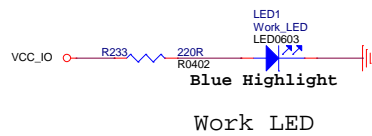
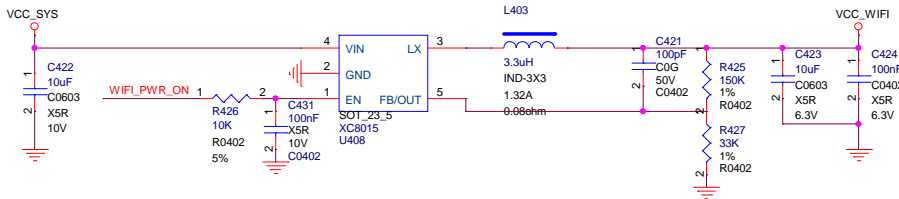
U27
 DDRII-1Gb



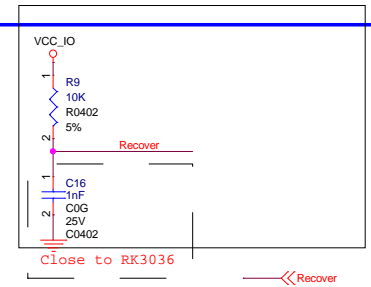
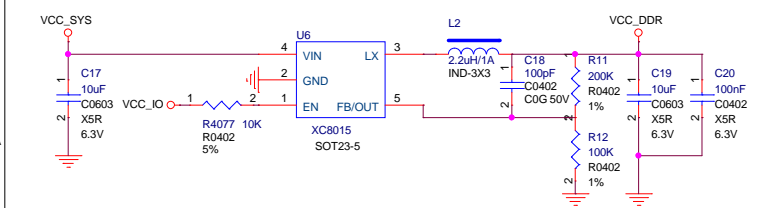
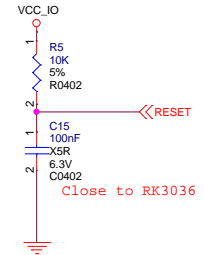
DDR FILTER



WIFI_PWR_ON << WIFI_PWR_ON

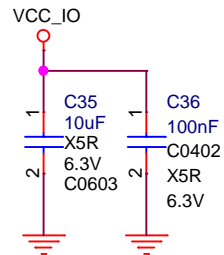
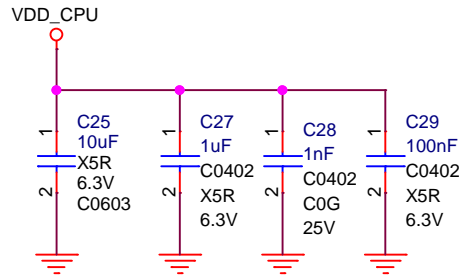
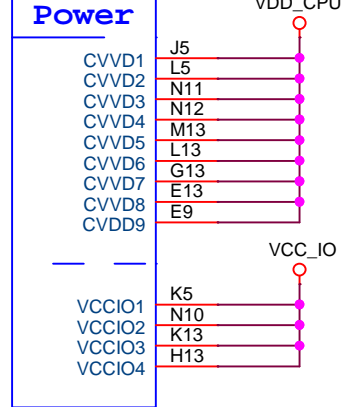


Reset valve voltage: 2.63V

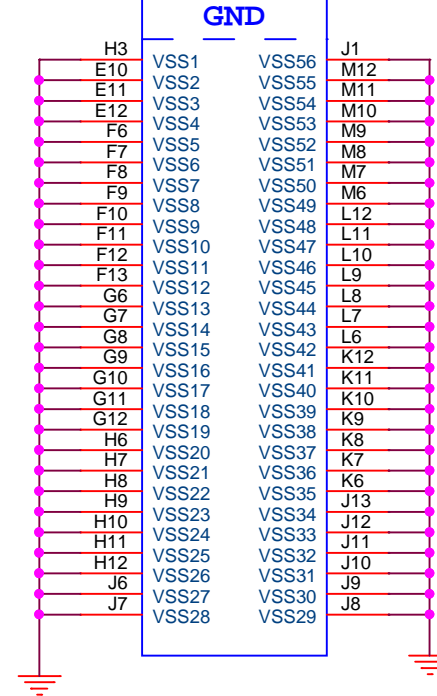


Recovery key

U32J
 DSP_RK3036-G
 BGA236_12R00X12R00X1R28



U32K
 DSP_RK3036-G
 BGA236_12R00X12R00X1R28



Rockchip 瑞芯微电子 福州瑞芯微电子有限公司

Title: RK3036 Power

File: RK3036-G Dongle

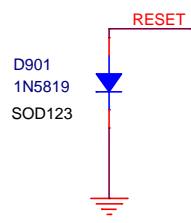
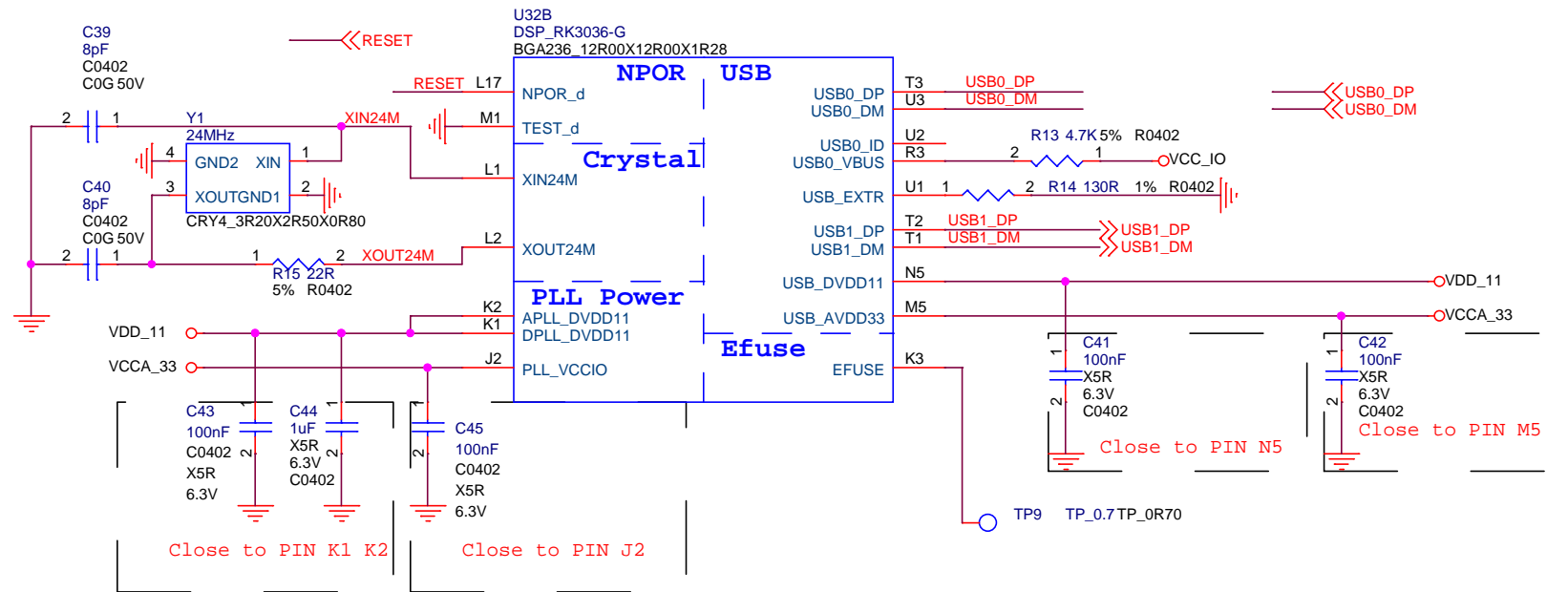
REV:0.1

Create Date: Tuesday, March 24, 2015

Page Num:5

Modify Date: Wednesday, August 18, 2021

Page Total:12



 福州瑞芯微电子有限公司 瑞芯微电子	
Title: OSC/USB Controle	
File: RK3036-G Dongle	REV:0.1
Create Date: Thursday, May 08, 2014	Page Num:6
Modify Date: Wednesday, August 18, 2021	Page Total:12

U32C
 DSP_RK3036-G
 BGA236_12R00X12R00X1R28

HDMI TX

HDMI_TX0P T5 HDMI_TX_0P
 HDMI_TX0N U5 HDMI_TX_0N
 HDMI_TX1P T6 HDMI_TX_1P
 HDMI_TX1N U6 HDMI_TX_1N
 HDMI_TX2P T7 HDMI_TX_2P
 HDMI_TX2N U7 HDMI_TX_2N

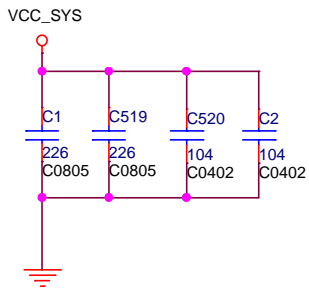
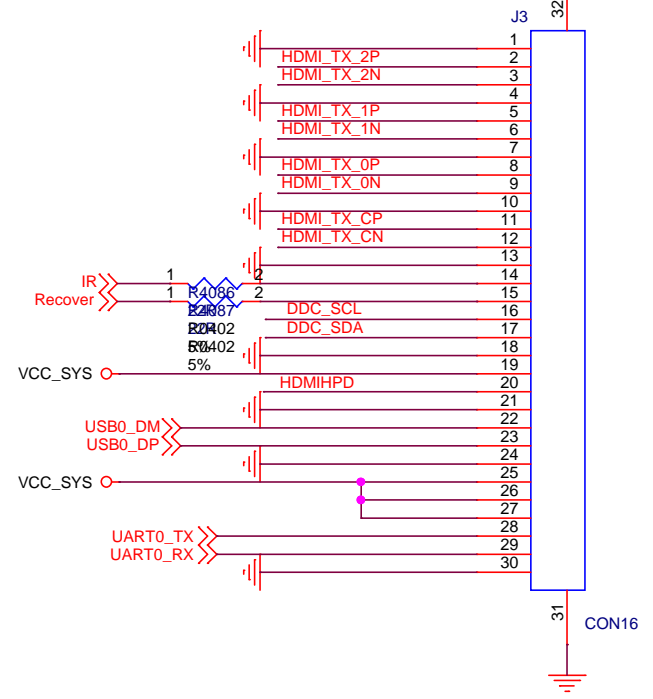
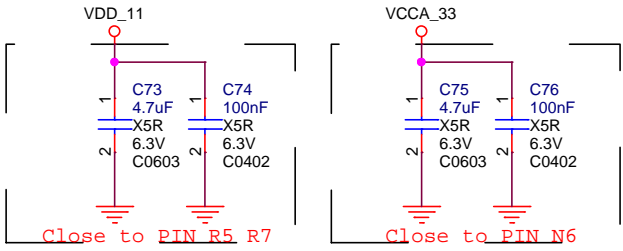
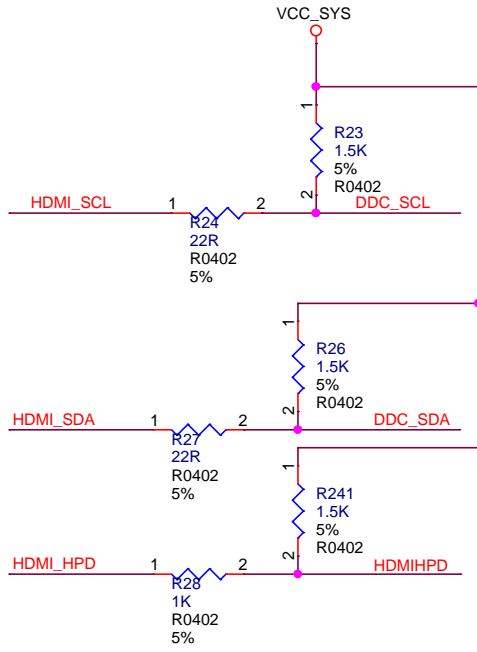
 HDMI_TXCP T4 HDMI_TX_CP
 HDMI_TXCN U4 HDMI_TX_CN

GPIO1_B0/HDMI_CEC_u N3
 GPIO1_B3/HDMI_HPD_d P3 HDMI_HPD
 GPIO1_B2/HDMI_SCL_u R1 HDMI_SCL
 GPIO1_B1/HDMI_SDA_u R2 HDMI_SDA

HDMI_EXTR R4

HDMI_AVDD33 N6

HDMI_DVDD1V1_1 R5
 HDMI_DVDD1V1_2 R7



 福州瑞芯微电子有限公司 瑞芯微电子	
Title: HDMI OUT	
File: RK3036-G Dongle	REV:0.1
Create Date: Monday, July 02, 2012	Page Num:10
Modify Date: Wednesday, August 18, 2021	Page Total:12

