



GRANARY

Automatic Pet Feeder - WiFi Control 5L

@Libro Corp. All Rights Reserved.

Model: PLAF103

Manufacturer: Shenzhen Libro Technology Co., Ltd.

Address: 12/F, Tower B, GALAXY WORLD, Yabao Road,
Longgang District, Shenzhen, China

JP Importer: 株式会社神州

Made in China

PLAF103_V3.0

FCC ID: 2A3DEPLAF103S

CAN ICES-3 (B)/NMB-3(B)

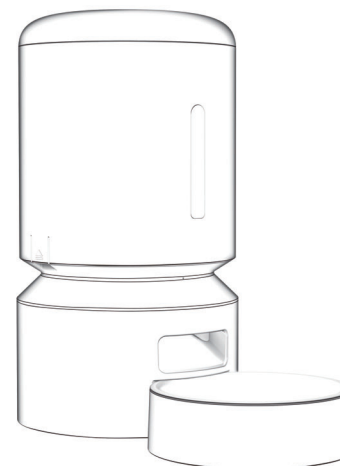
IC: 28987-PLAF103S



This device complies with Part 15 of the FCC Rules. Operation is subject to the following two conditions: (1) this device may not cause harmful interference, and (2) this device must accept any interference received, including interference that may cause undesired operation.

USER MANUAL

Granary Automatic Pet Feeder -
WiFi Control 5L



Please read this manual before using the product and keep it for future reference. Or open the PETLIBRO app and go to **DEVICE SETTINGS >** Instructions for the digital manual and instructional video.

CONTENTS

English

01 – IN THE BOX

02 – PRODUCT OVERVIEW

06 – GETTING STARTED

09 – APP CONTROL

16 – CARE AND MAINTENANCE

19 – TROUBLESHOOTING

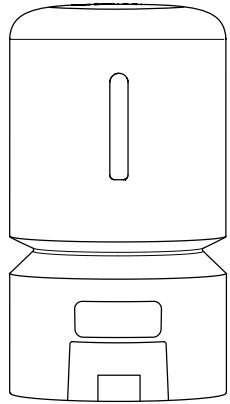
19 – SPECIFICATIONS

20 – SAFETY INSTRUCTIONS

21 – WARRANTY

21 – NOTICE

IN THE BOX



Automatic Pet Feeder

X1



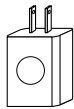
Stainless Steel Bowl

X1



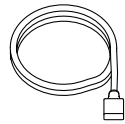
Bowl Tray

X1



Power Adapter

X1



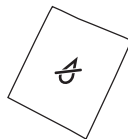
Power Cable

X1



Quick Start Guide

X1



Desiccant Bag

X1

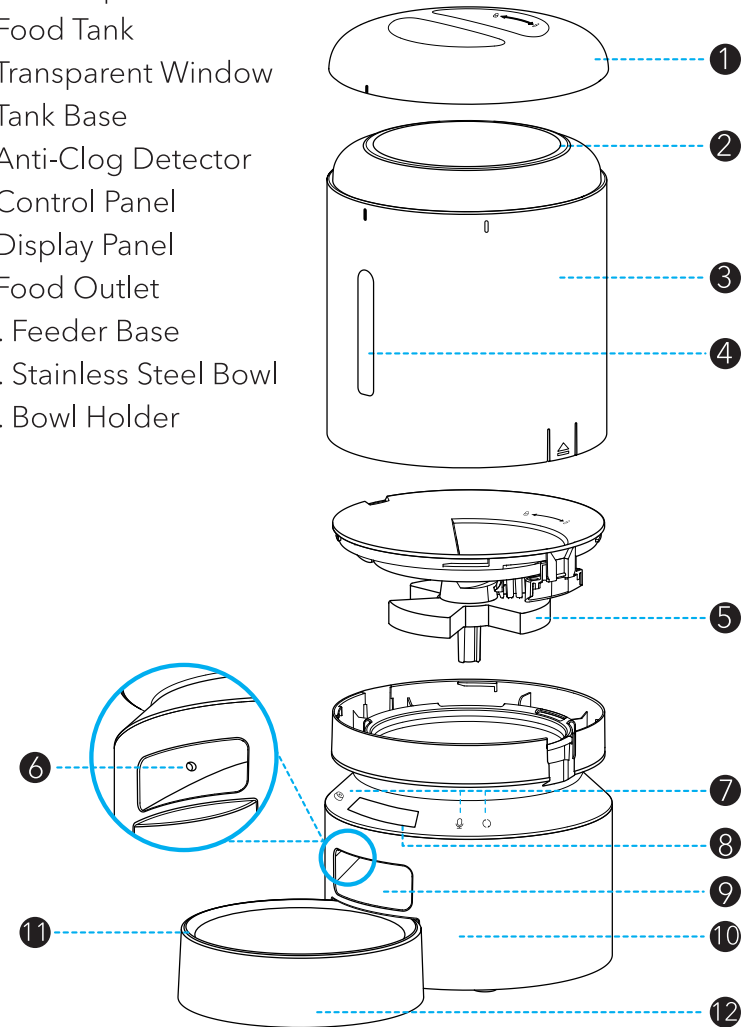


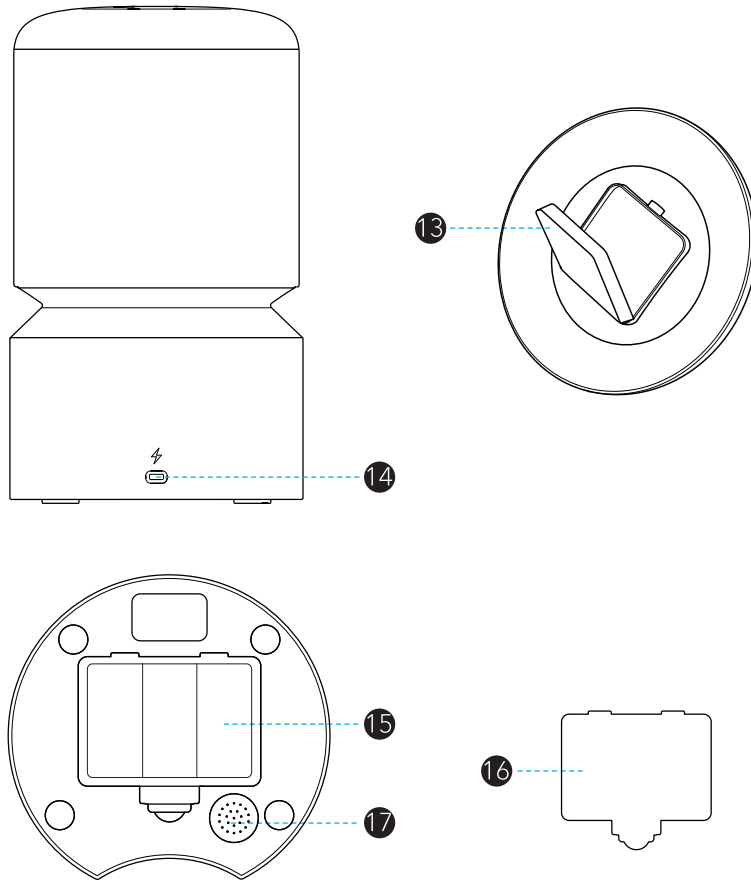
User Manual

X1

PRODUCT OVERVIEW

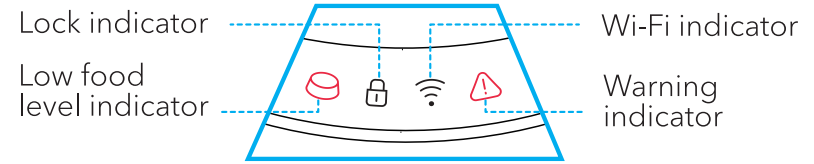
1. Lid
2. Seal Strip
3. Food Tank
4. Transparent Window
5. Tank Base
6. Anti-Clog Detector
7. Control Panel
8. Display Panel
9. Food Outlet
10. Feeder Base
11. Stainless Steel Bowl
12. Bowl Holder





- 13. Desiccant Bag Holder
- 14. Power Port
- 15. Battery Compartment
- 16. Battery Compartment Cover
- 17. Speaker

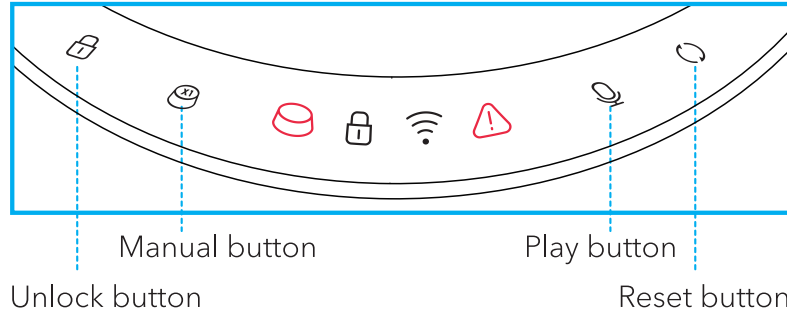
Display area







Status Indicators

Indicator Type	Indicator Status	Device Status
Low food level indicator (red)	On	Low food storage level
Lock indicator (white)	On	The buttons are locked
Wi-Fi indicator (white)	Flashes once every one second	Network configuration mode
	Flashes twice every one second	The device is connecting to Wi-Fi
	Flashes three times every one second	Firmware update
	On	Wi-Fi is connected
	Off	Wi-Fi is turned off
Warning indicator (red)	On	Low battery level, the food gets stuck, or something is wrong with the motor

Buttons

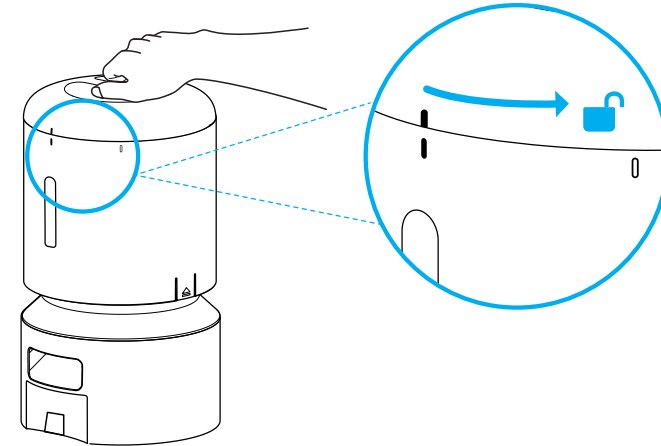


Buttons	Operation
 Unlock	Press and hold for five seconds to unlock the buttons, and the device will emit a reminder sound. In the locked status, only this button works
 Manual	In the unlocked status, press once to dispense one portion of food
 Play	In the unlocked status, press once to play the feeding recording
 Reset	In the unlocked status, press and hold until the device emits a reminder sound and the Wi-Fi indicator flashes

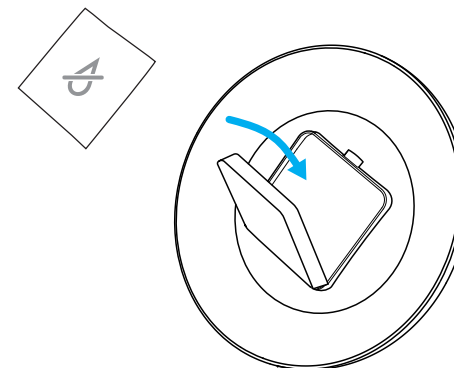
GETTING STARTED

Installation

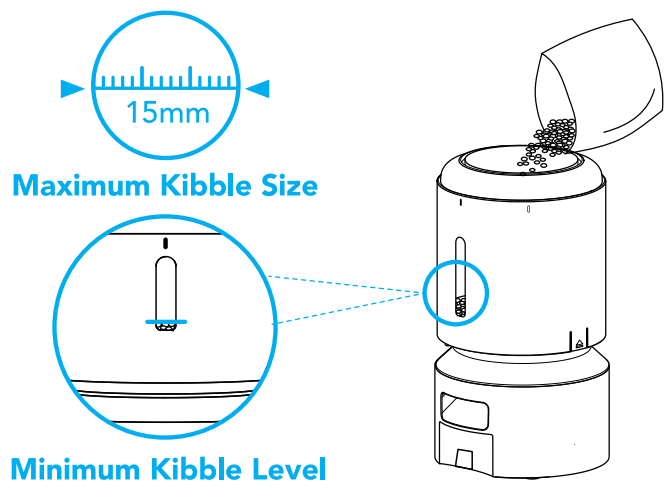
1. Turn the lid counterclockwise to remove it.



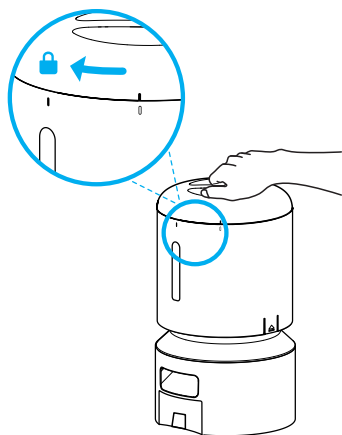
2. Place the desiccant bag in the desiccant bag holder under the lid.



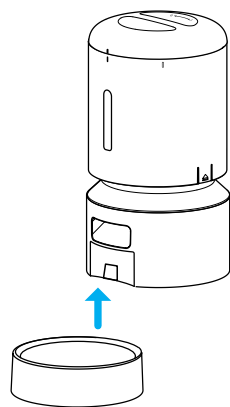
3. Add dry pet food to the food tank.



4. Replace the lid and turn it clockwise.

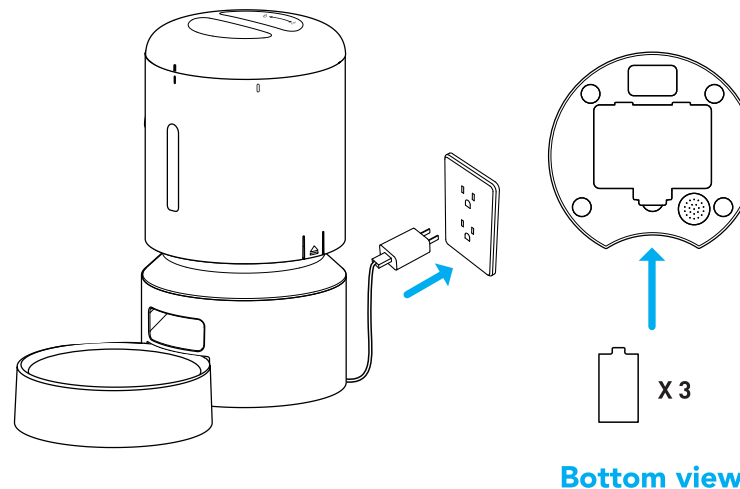


5. Install the stainless steel bowl and bowl tray.



Power on

1. Connect the feeder to a wall outlet with the power adapter and power cable, and it automatically turns on.
2. Install three D alkaline batteries into the battery compartment in case of a power outage.



Notes

- To avoid a sudden power outage that affects the feeding of your pet, do not use the batteries as the only power source. The batteries can only be used as an emergency plan.
- When the power adapter, power cable, and batteries are used at the same time, the feeder will only draw power via the power cable.
- When the feeder is powered only by batteries, the Wi-Fi function, play button, and reset button would be disabled to extend the working time, but the meal schedules would be carried out normally.

Power off

Unplug the cable from the outlet and remove the batteries.

APP CONTROL

Network, router & system requirements

- The feeder supports 2.4GHz and 5GHz Wi-Fi.
- Keep the feeder close to your router for a better Wi-Fi connection. The ideal range is within 6m (19.7ft) without obstacles and walls.
- Supports iPhones running iOS 12.0 or later and Android smartphones running Android 5.0 or later.

Install the app & log in

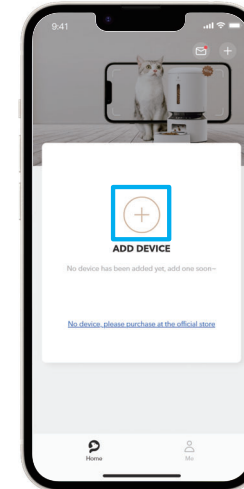
1. Scan the QR code below or search "PETLIBRO" in the App Store or Google Play to download the app.
2. Sign up and log into your account.



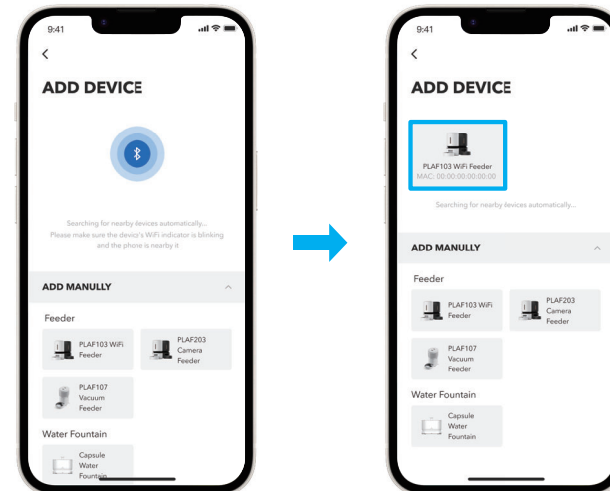
Automatically add the device

Turn on the Bluetooth and location services on your phone before adding a device.

1. Open the app and tap the "+" symbol.



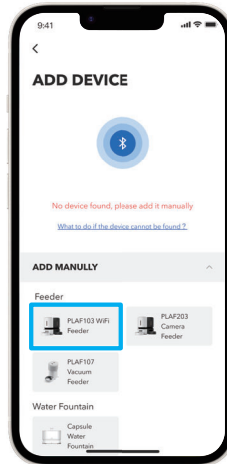
2. The app will automatically search nearby devices. Tap the device you want to add and follow the on-screen instructions.



Manually add the device

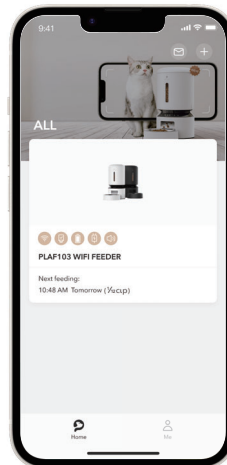
If the app can't find any devices, you can manually add the device.

1. Tap the device you want to add in the "ADD MANUALLY" list and follow the on-screen instructions.

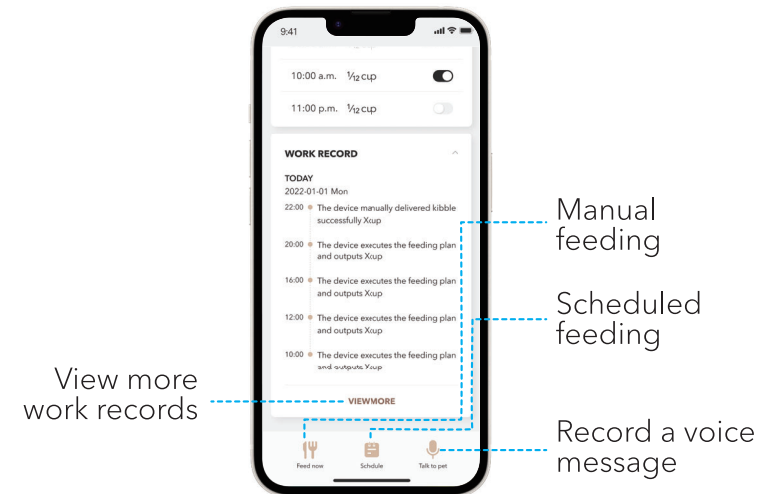
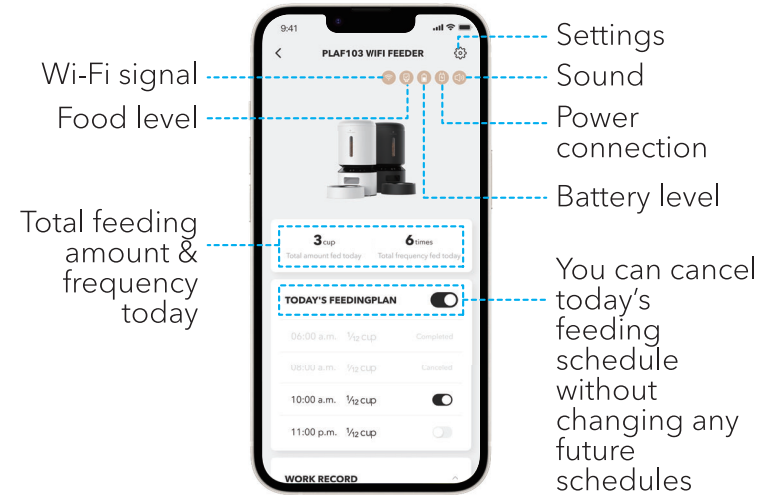


2. Tap the device for controls.

Note: All successfully added devices will appear in the Home page.



Device controls & settings

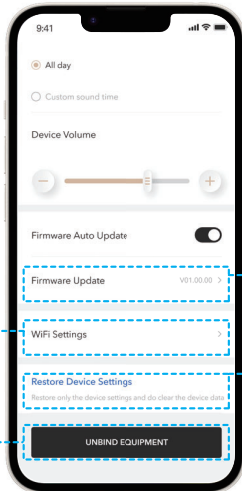
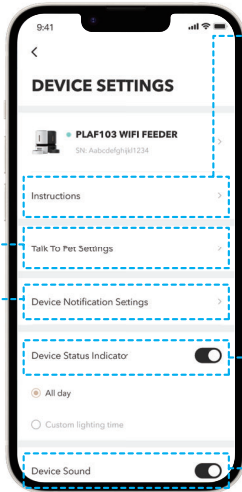


Record a voice message and set it as the feeding recording

Set up the notifications

Change the Wi-Fi network you want to connect

Unbind the device from your account, disconnect the device, and delete all data and settings except the recording data



View the digital manual and instructional video of this device

Customize the time when the device status indicators are on

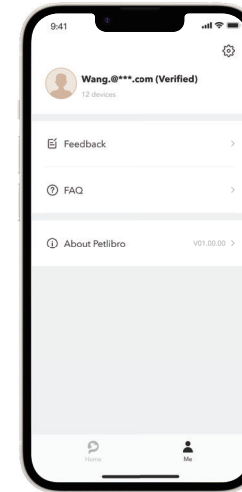
Control voice message recording and voice message notifications

Update the firmware

Delete all data and settings except the recording data, network connection, and account binding settings

Feedback & FAQ

Go to Me > Feedback in the app to chat with a customer service staff online or send an inquiry email. You can also check the FAQ in the app.



Recommended feeding portions

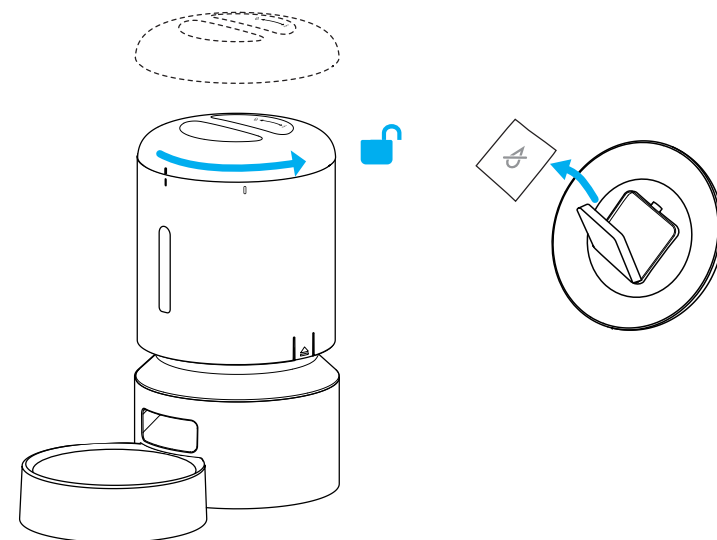
Model	Daily Intake	Meals per Day	Portions per Meal	Per Portion
PLAF103	1/2 cup	2	3 3	1/12 cup (20ml)
		3	2 2 2	
		4	1 2 1 2	
	1/3 cup	2	2 2	
		3	1 2 1	
		4	1 1 1 1	
	2/3 cup	2	4 4	
		3	2 3 3	
		4	2 2 2 2	
	3/4 cup	2	4 5	
		3	3 3 3	
		4	2 2 2 3	
	9/10 cup	2	5 6	
		3	3 4 4	
		4	2 3 3 3	
	1 cup	2	6 6	
		3	4 4 4	
		4	3 3 3 3	
	1 1/4 cup	2	7 8	
		3	5 5 5	
		4	3 4 4 4	
	1 1/2 cup	3	6 6 6	
		4	4 5 4 5	
	1 1/3 cup	2	8 8	
3		5 6 5		
4		4 4 4 4		
1 2/3 cup	3	6 7 7		
	4	5 5 5 5		

CARE AND MAINTENANCE

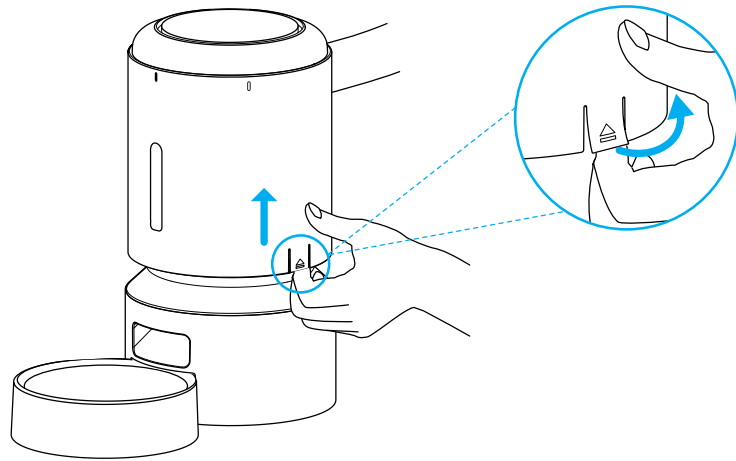
- Power off the device before cleaning.
- Clean the lid, food tank, tank base, stainless steel bowl, and bowl tray with tap water.
- Do not clean the feeder in a dishwasher. Only the stainless steel bowl is dishwasher safe.
- Use a soft dry cloth to clean the feeder base. Do not wash any part with electronic components.
- Replace the desiccant bag every half a month to keep food fresh.
- Remove the desiccant bag before cleaning the lid.

Disassemble for cleaning

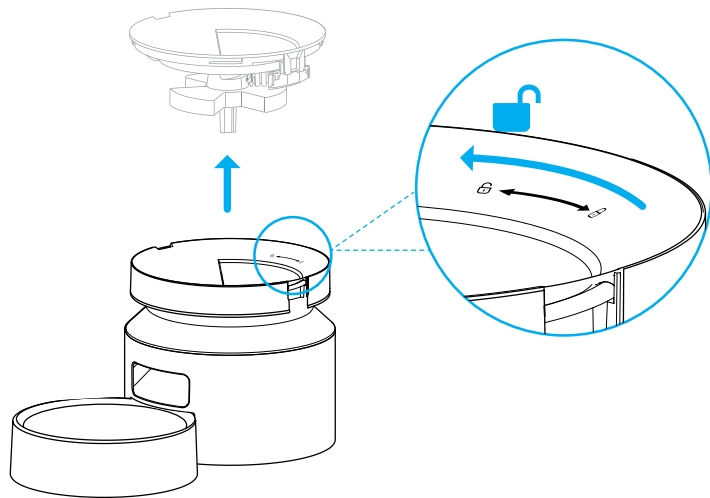
1. Remove the lid and take out the desiccant bag.



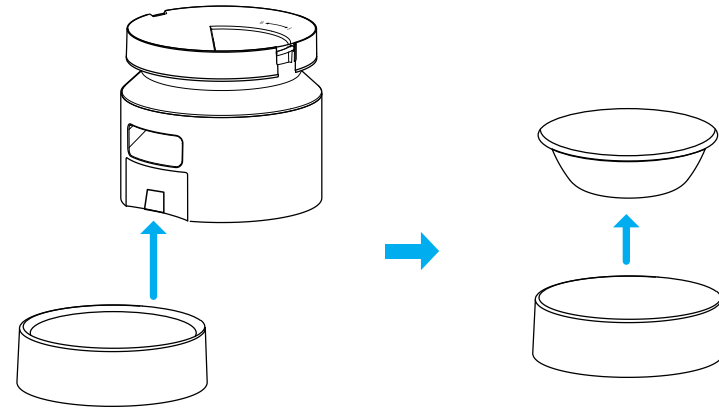
2. Make sure the food tank is empty. Pull the notches on both sides of the food tank outward a little and then up to remove the food tank.



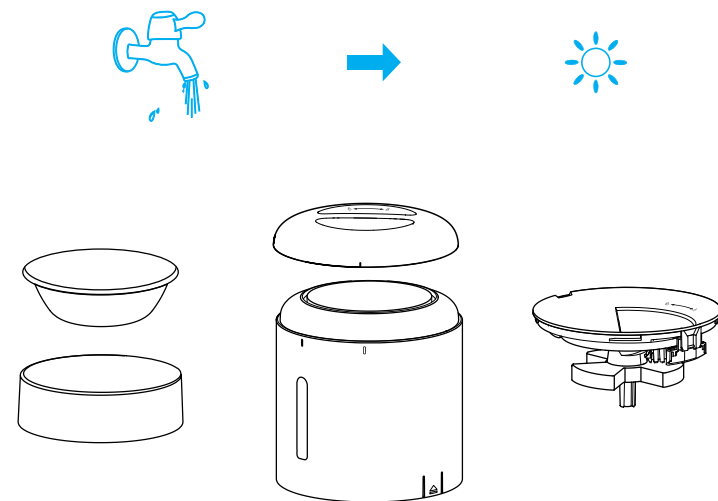
3. Hold the feeder base, turn the tank base counterclockwise, and lift the tank base.



4. Remove the stainless steel bowl and bowl tray from the feeder.



5. Thoroughly rinse and air-dry the lid, food tank, tank base, stainless steel bowl, and bowl tray.



TROUBLESHOOTING

- If the feeder is not dispensing food, make sure you have filled the tank with enough food.
- If the feeder won't turn on, check if the power adapter, power cable, or batteries are correctly installed.
- Please make sure the food in the tank is dry, and food size is within 2-15mm (0.07-0.6in) in diameter.
- If the food won't come out, remove the food tank and tank base, and check if the chute inside is blocked.
- If the food won't come out, check whether the battery level is low, whether the power adapter is connected, and whether a power outage occurs when the power adapter is connected but batteries are not installed.
- The first few portions may vary, but it doesn't mean the feeder is faulty. After about 6 feedings, portions should be almost even.

SPECIFICATIONS

Model	PLAF103
Input	AC 100-240V 50/60Hz
Capacity	5L
Battery power option	3 × D alkaline batteries
Operating Temperature	0°C-40°C / 32°F-104°F
Dimensions	340 × 190 × 190mm / 13.4 × 7.5 × 7.5in
Net weight	1.66kg / 3.66lb

SAFETY INSTRUCTIONS

- Dispose of all packaging materials properly. Some items may be packed in plastic bags; these bags could cause suffocation. Keep them away from children and pets.
- Do not use the feeder with pets that are not able to reach the food tray or with any physical disability.
- Do not immerse the base part in water at any time as it may damage electronic components like the control panel.
- Do not use the feeder outdoors. Check its operation frequently to be sure it is dispensing properly.
- Do not use wet, canned or moist food.
- Do not disassemble the feeder other than as instructed in this user manual.
- Only use accessories recommended or sold by the manufacturer. The use of accessories not recommended or sold by the manufacturer may cause an unsafe condition.
- Do not modify the pet feeder.
- Examine the feeder after installation. Do not plug in if there is water on the power cable or plug.
- To avoid tripping, always position the power cable out of the way of foot traffic.
- Do not install or store the pet feeder where it will be exposed to weather or temperatures below 0°C (32°F).
- Use D alkaline batteries to power the feeder. Do not use rechargeable batteries.
- Check the batteries regularly. Before leaving for an extended period of time, always replace batteries with new ones.
- Do not lift the pet feeder by the lid, food tank, or food bowl. Lift and carry it using both hands and the base,

while keeping the feeder in an upright position.

- Suitable for dry food only, with kibble sizes ranging from 2–15mm (0.07–0.6in) in diameter. Larger kibble may get stuck at the food outlet.
- Do not put your fingers into the food outlet or let your fingers touch the rotor.
- Power off the device when it's not in use.

WARRANTY

- 12-month warranty
- For guidance on product use, please contact our customer service team via email:
support@petlibro.com.

NOTICE

FCC statement

This device complies with Part 15 of the FCC Rules. Operation is subject to the following two conditions:

- (1) this device may not cause harmful interference, and
- (2) this device must accept any interference received, including interference that may cause undesired operation.

Changes or modifications to this unit not expressly approved by the party responsible for compliance could void the user's authority to operate the equipment.

NOTE:

This equipment has been tested and found to comply with the limits for a Class B digital device, pursuant to Part

15 of the FCC Rules. These limits are designed to provide reasonable protection against harmful interference in a residential installation. This equipment generates, uses and can radiate radio frequency energy and, if not installed and used in accordance with the instructions, may cause harmful interference to radio communications. However, there is no guarantee that interference will not occur in a particular installation. If this equipment does cause harmful interference to radio or television reception, which can be determined by turning the equipment off and on, the user is encouraged to try to correct the interference by one or more of the following measures:

- Reorient or relocate the receiving antenna.
- Increase the separation between the equipment and receiver.
- Connect the equipment into an outlet on a circuit different from that to which the receiver is connected.
- Consult the dealer or an experienced radio/TV technician for help.

This device and its antenna(s) must not be co-located or operated in conjunction with any other antenna or transmitter.

Radio frequency exposure statement

To maintain compliance with the FCC's RF Exposure Guidelines, this equipment should be installed and operated with a minimum distance of 20cm from your body.