



www.petlibro.com



Air WiFi Feeder

# USER MANUAL

One RFID Pet Feeder

## ONE

RFID Pet Feeder

@Libro Corp. All Rights Reserved.

**Model:** PLAF301

**Manufacturer:** Shenzhen Libro Technology Co., Ltd.

**Address:** 12/F, Tower B, GALAXY WORLD, Yabao Road,  
Longgang District, Shenzhen, China

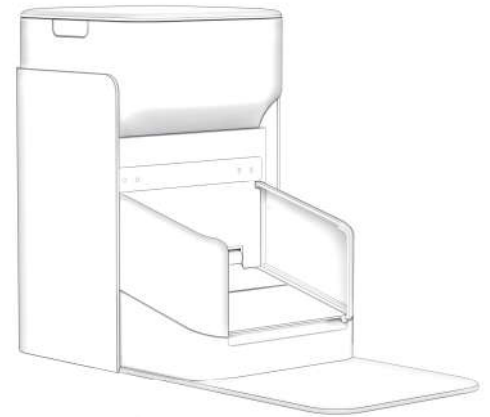
Made in China

PLAF301\_V1.0



FCC ID:2A3DE-PLAF301 IC:28987-PLAF301 CAN ICES-3(B)/NMB-3(B)

This device complies with Part 15 of the FCC Rules. Operation is subject to the following two conditions: (1) this device may not cause harmful interference, and (2) this device must accept any interference received, including interference that may cause undesired operation.



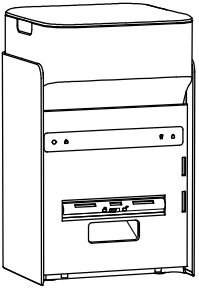
Please read this manual before using the product  
and keep it for future reference.

# Contents

/ English

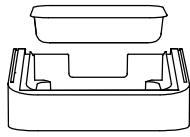
In The Box	01
Product Overview	03
Getting Started	08
App Control	15
Pair The Collar Tag	16
Care And Maintenance	16
Specifications	17
Safety Instructions	18
Warranty	19
Notice	19

## In the Box



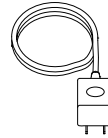
Automatic Pet Feeder

X1



Stainless Steel Food Bowl  
with Holder

X1



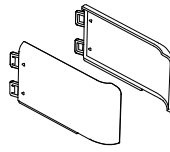
Power Adapter

X1



Desiccant Bag

X1



Food Bowl Shield

X2



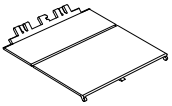
User Manual

X1



Quick Start Guide

X1



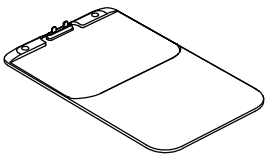
Food Bowl Lid

X1



Collar

X1



RFID Reader

X1

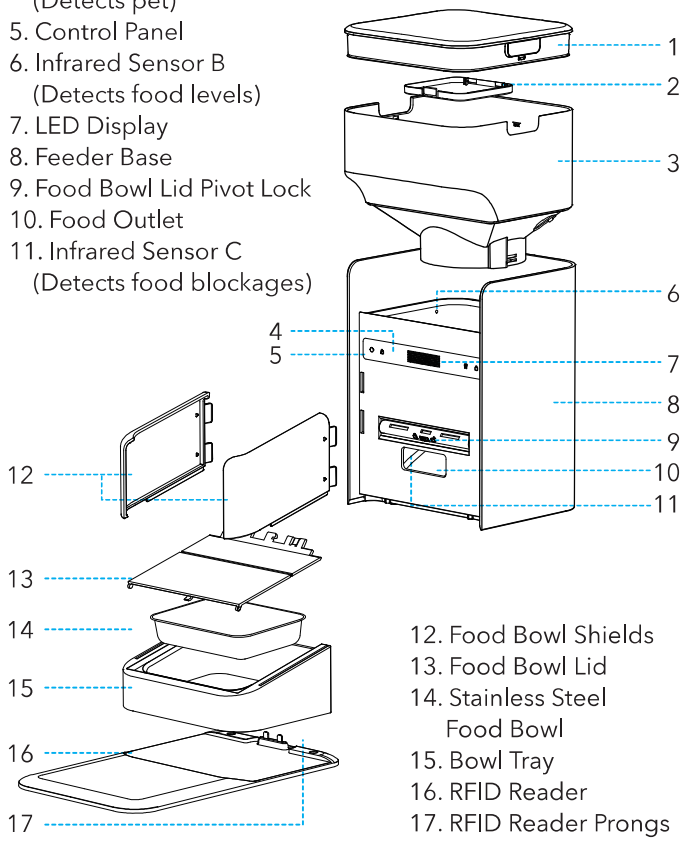


Tag

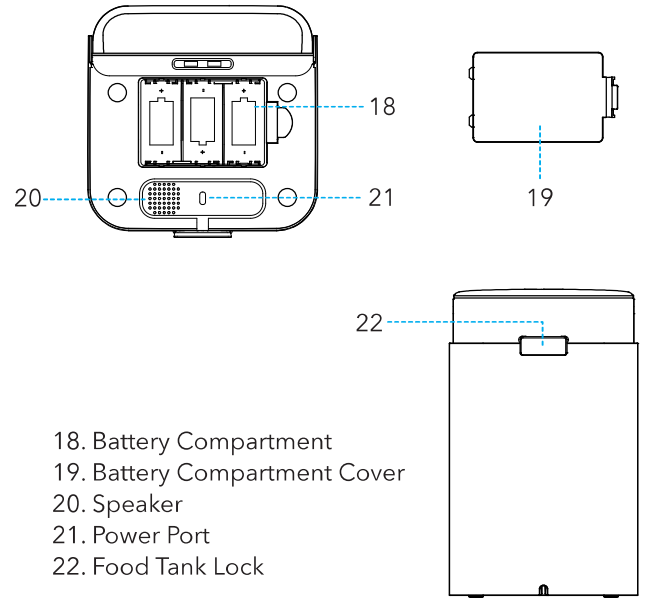
X1

## Product Overview

1. Food Tank Lid
2. Desiccant Bag Holder
3. Food Tank
4. Infrared Sensor A  
(Detects pet)
5. Control Panel
6. Infrared Sensor B  
(Detects food levels)
7. LED Display
8. Feeder Base
9. Food Bowl Lid Pivot Lock
10. Food Outlet
11. Infrared Sensor C  
(Detects food blockages)







12. Food Bowl Shields
13. Food Bowl Lid
14. Stainless Steel Food Bowl
15. Bowl Tray
16. RFID Reader
17. RFID Reader Prongs



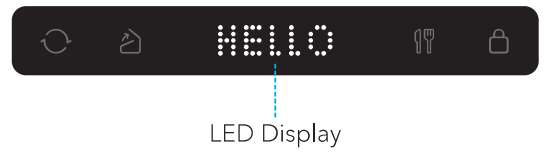
18. Battery Compartment
19. Battery Compartment Cover
20. Speaker
21. Power Port
22. Food Tank Lock








## Buttons









Buttons	Operation
 Reset	In the unlocked state, press and hold until the feeder emits a reminder sound and the Wi-Fi indicator flashes
 Lid Release	In the unlocked state, press once to open/close the food bowl lid
 Feed	In the unlocked state, press once to dispense one portion
 Unlock	Press and hold for five seconds to unlock the buttons, and the feeder will emit a reminder sound. In the locked state, only this button will work

## Indicators Overview



Device Status	LED Display
Welcome screen	
Locked state	
Unlocked state	
Waiting for Wi-Fi connection	
Successful Wi-Fi connection	
Resetting	
OTA updating	

Device Status	LED Display
Dispensing food	
Customized emoji pack	
Wi-Fi connection is abnormal/offline	
Abnormal food bowl lid closing	
Abnormal food bowl lid opening	
Low battery	

## Indicator Status

Indicator Status	Device Status
OUTLET BLOCKED	The food outlet is blocked
ADD FOOD	The food level in the tank is insufficient
ROTOR STUCK	The motor works abnormally

## Getting Started

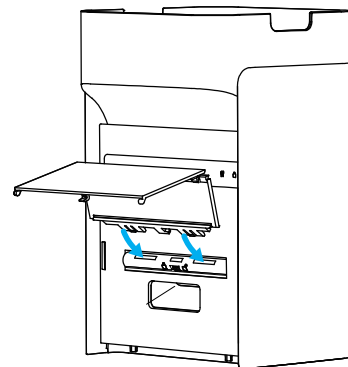
### Installation

Scan the QR code below to watch the video for product installation, or follow the instructions in the manual to install the feeder.



### 1. Install the food bowl lid

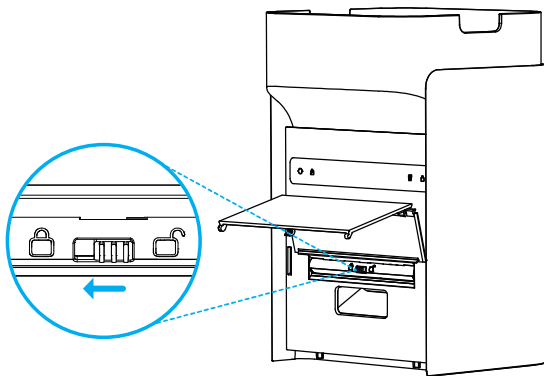
- 1) Press the locks on both sides of the food tank lid, remove the lid, and take out the accessories from the food tank.
- 2) Install the food bowl lid in the direction shown in the figure.



3) After successfully installing the food bowl lid, move the food bowl lid pivot lock to the left to ensure that it's in the locked state.

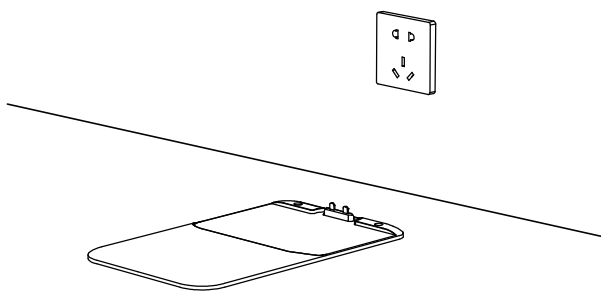
**Notes:**

**If the food bowl lid is unlocked, the product will not work properly.**

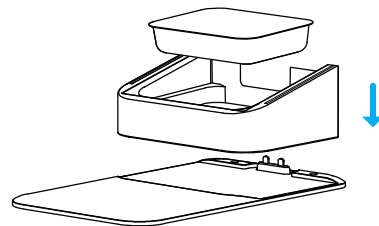


**2. Install the body**

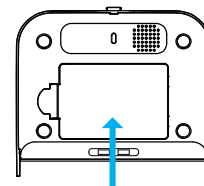
1) Place the RFID reader on a flat surface, keeping it close to the power port and away from metal objects.



2) Place the stainless steel food bowl and bowl tray in the designated groove of the reader.



3) Open the battery compartment at the bottom of the feeder. Install three alkaline D batteries (not included) in case of a power outage.



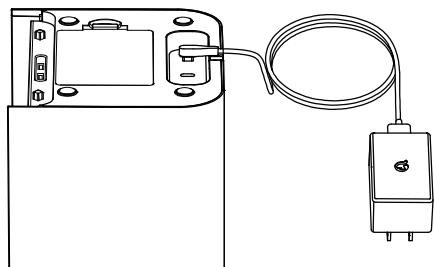
**Bottom view**

**Notes:**

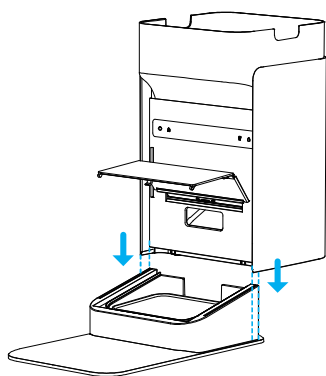
- Batteries are not included.
- To avoid sudden power outages and the feeding of your pet being affected, do not use the batteries as the only source to power the feeder; the batteries can only be used as an emergency plan.

- To avoid battery leakage, remove the batteries if the device won't be in use for a period of time.
- When powered in battery mode, only the RFID recognition function, Wi-Fi function, and feeding function are enabled; all other functions are disabled.

4) Plug the USB cable into the power port at the bottom of the feeder.



5) Place the body in the designated position on the reader.

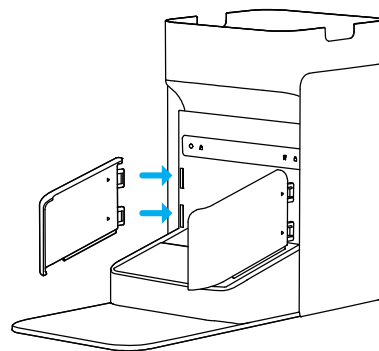


**Note:**

When installing the body on the RFID reader, if you hear a 'click' sound, it indicates that the body is properly installed.

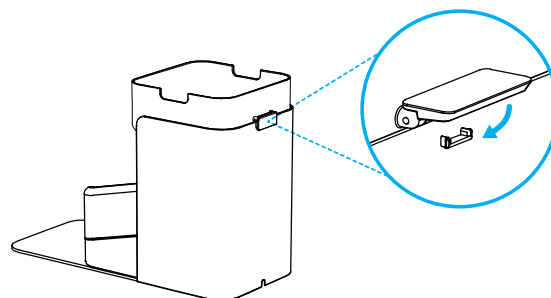
**3. Install the food bowl shields**

Insert both shields into the body.



**4. Install the food tank**

Press the food tank lock to lock it in place.

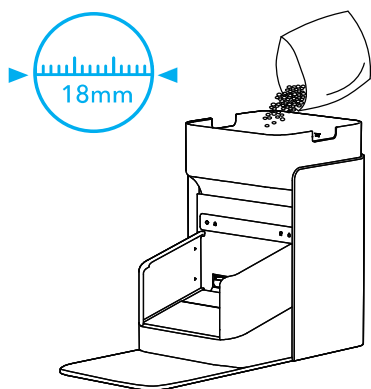




## 5. Add dry pet food to the food tank

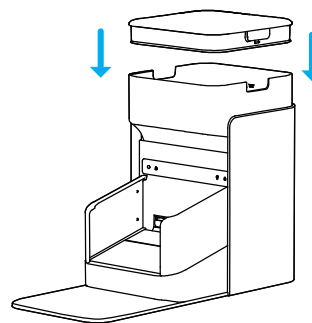
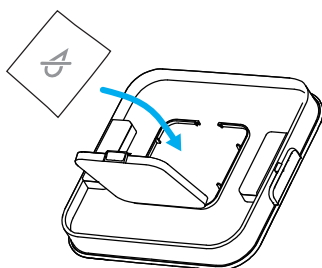
### Notes:

- To prevent uneven food dispensing, please add enough pet food to prevent low surplus food alarm triggered.
- Recommended kibble size: 2-18mm (0.07-0.7in) in diameter.
- Do not use canned, wet, or moist food.



## 6. Put the food tank lid on

Place the desiccant bag in the holder under the food tank lid.

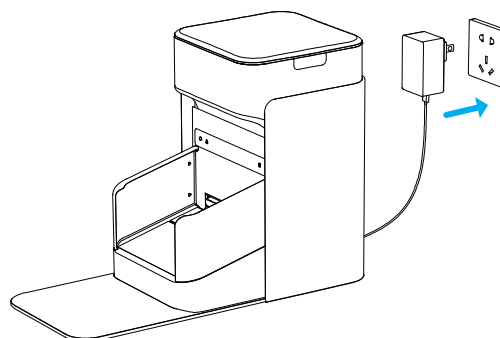


### Notes:

- It is recommended to change the desiccant bag every 15 days to prevent mold growth.
  - Remove the desiccant bag before cleaning the lid.
- Press the locks on both sides of the food tank lid to install the lid in place.

## 7. Connect Power

- 1) Plug the 5V power adapter into a power outlet.
- 2) The indicators will light up automatically to indicate the feeder is on.



## App Control

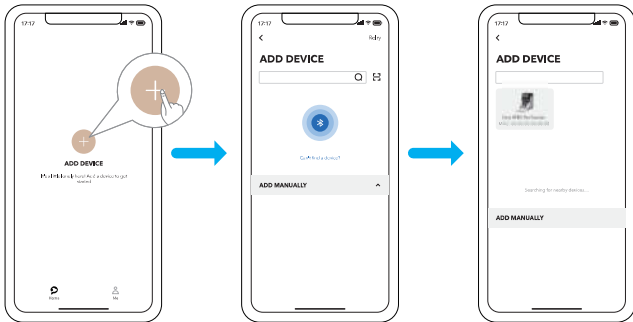
1. Download and install the PETLIBRO app.



### Note:

There are two similar apps available on your phone's app store: PETLIBRO and PETLIBRO LITE. Please make sure you download the right one.

2. Follow the instructions to configure the network.



## Pair The Collar Tag

1. After successfully adding the device, tap the "ADD COLLAR" button.
2. Place the collar tag in the RFID recognition area, as close to the RFID reader as possible.

**Note: There are two methods to pair the collar tag: sensor-based pairing and QR code-based pairing. If one method fails, you can switch to the other.**

3. After a successful addition, tap "CONFIRM" to pair the collar tag.
4. Follow the app instructions to add relevant pet information.

## Care And Maintenance



### Note:

Scan the QR code above to watch the video for product installation and cleaning.

- Power off the device before cleaning.
- Clean the food bowl with tap water.
- Do not clean the feeder in a dishwasher. Only the stainless steel bowl is dishwasher safe.
- Use a soft damp cloth to clean the feeder base. Do not wash any part with electronic components.
- Replace the desiccant bag every half a month to keep food fresh.

## Power off

Unplug the cable from the outlet and remove the batteries.

## Specifications

Model	PLAF301
Input	AC 100-240V 50/60Hz
Capacity	3L
Battery Power Option	3 D alkaline batteries
Operating Temperature	0°C-40°C / 32°F-104°F
Dimensions	442 × 196 × 320mm / 17.3 × 7.7 × 12.6in
Net Weight	2.80kg / 6.16lb

## Safety Instructions

- Use the feeder in a dry place.
- Use the feeder on a level surface.
- Dispose of all packaging materials properly. Some items may be packed in plastic bags; these bags could cause suffocation. Keep them away from children and pets.
- Do not use the feeder with pets that are not able to reach the food bowl or with any physical disability.
- Do not immerse the base part in water at any time as it may damage electronic components.
- Do not use the feeder outdoors. Check its operation frequently to be sure it is operating properly.
- Do not disassemble the feeder other than as instructed in this user manual.
- Only use accessories recommended or sold by the manufacturer. The use of accessories not recommended or sold by the manufacturer may cause an unsafe condition.
- Do not modify the feeder.
- Examine the feeder after installation. Do not plug in if there is water on the power cable or plug.
- To avoid tripping, always position the power cable out of the way of foot traffic.
- Do not install or store the feeder where it will be exposed to weather or temperatures below 0°C (32°F).
- Do not use the feeder without adding pet food first.
- Power off the feeder when it's not in use.

FCC Statement:

This device complies with part 15 of the FCC Rules. Operation is subject to the following two conditions:(1)This device may not cause harmful interference, and (2) this device must accept any interference received, including interference that may cause undesired operation.

This equipment has been tested and found to comply with the limits for a Class B digital device, Pursuant to part 15 of the FCC Rules. These limits are designed to provide reasonable protection against harmful interference in a residential installation. This equipment generates, uses and can radiate radio frequency energy and, if not installed and used in accordance with the instructions, may cause harmful interference to radio communications. However, there is no guarantee that interference will not occur in a particular installation. If this equipment does cause harmful interference to radio or television reception, which can be determined by turning the equipment off and on, the user is encouraged to try to correct the interference by one or more of the following measures:

- Reorient or relocate the receiving antenna.
- Increase the separation between the equipment and receiver.
- Connect the equipment into an outlet on a circuit different from that to which the receiver is connected.
- Consult the dealer or an experienced radio/TV technician for help.

Caution: Any changes or modifications to this device not explicitly approved by manufacturer could void your authority to operate this equipment.

This equipment complies with FCC radiation exposure limits set forth for an uncontrolled environment. This equipment should be installed and operated with minimum distance 20cm between the radiator and your body.

ISED Statement:

-English: This device complies with Industry Canada license - exempt RSS standard(s). Operation is subject to the following two conditions: (1) This device may not cause interference, and (2) This device must accept any interference, including interference that may cause undesired operation of the device.

The digital apparatus complies with Canadian CAN ICES - 3 (B)/NMB - 3(B).

- French: Le présent appareil est conforme aux CNR d'Industrie Canada applicables aux appareils radio exempts de licence. L'exploitation est autorisée aux deux conditions suivantes: (1) l'appareil ne doit pas produire de brouillage, et (2) l'utilisateur de l'appareil doit accepter tout brouillage radioélectrique subi, même si le brouillage est susceptible d'en compromettre le fonctionnement.

L'appareil numérique du CIEM conforme canadien peut - 3 (b) / nmb - 3 (b).

This device meets the exemption from the routine evaluation limits in section 2.5 of RSS 102 and compliance with RSS 102 RF exposure, users can obtain Canadian information on RF exposure and compliance.

Cet appareil est conforme à l'exemption des limites d'évaluation courante dans la section 2.5 du CNR - 102 et conformité avec RSS 102 de l'exposition aux RF, les utilisateurs peuvent obtenir des données canadiennes sur l'exposition aux champs RF et la conformité.

This equipment complies with Canada radiation exposure limits set forth for an uncontrolled environment.

Cet équipement est conforme aux limites d'exposition au rayonnement établies par le Canada pour un environnement non contrôlé.

This equipment should be installed and operated with minimum distance 20cm between the radiator & your body.

Cet équipement est conforme Canada limites d'exposition aux radiations dans un environnement non contrôlé.

Cet équipement doit être installé et utilisé avec une distance minimale de 20 cm entre le radiateur et votre corps.

The device for operation in the band 5150–5250 MHz is only for indoor use to reduce the potential for harmful interference to co-channel mobile satellite systems.

L'appareil destiné à fonctionner dans la bande 5150-5250 MHz est uniquement destiné à une utilisation en intérieur afin de réduire le potentiel d'interférences nuisibles aux systèmes mobiles par satellite cocanaux.