



PETLIBRO



Scan for more details
www.petlibro.com

Granary Automatic Pet Feeder-WiFi Control 5L

User Manual

Model: PLAF103

PETLIBRO Granary Automatic Pet Feeder-WiFi Control 5L

Model: PLAF103

©Libro Corp. All Rights Reserved.

Manufacturer: Shenzhen Libro Technology Co., Ltd.

Address: Building 3, Cloud Park, Shenzhen, China, 518129

Made in China

PLAF103_V1.0



This device complies with Part 15 of the FCC Rules. Operation is subject to the following two conditions: (1) this device may not cause harmful interference, and (2) this device must accept any interference received, including interference that may cause undesired operation.

Read this manual before using the product, and keep it for future reference.

This product is intended for household use only.

Contents

SAFETY GUIDELINES - 1
IN THE BOX - 3
PRODUCT OVERVIEW - 4
BUTTONS AND INDICATORS OVERVIEW - 6
SET UP THE FEEDER - 8
CONTROLLING VIA APP - 13
CLEAN AND CARE - 22
TROUBLESHOOTING - 27
SPECIFICATIONS - 27
WARRANTY - 28

SAFETY GUIDELINES

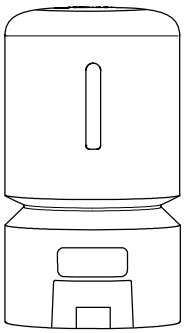
! WARNING

- Dispose of all packaging materials properly. Some items may be packed in plastic bags; these bags could cause suffocation; keep away from children and pets.
- Do NOT allow small children to play with, in or around the pet feeder.
- To reduce the risk of injury, please keep close supervision when the appliance is used near children.
- Do NOT use the feeder with pets not able to reach the food tray or with any physical disability.
- Do NOT immerse the base part in water at any time as it may damage electronic components like the control panel.
- Do NOT place any foreign object in the pet feeder.
- Do NOT use outdoors. Check operation frequently to be sure the unit is dispensing properly.
- Do NOT use wet, canned or moist food.
- Do NOT disassemble the unit other than as instructed in this User Guide.
- Do NOT use the feeder for anything other than its intended use.
- Only use attachments recommended or sold by the manufacturer. The use of attachments not recommended or sold by the manufacturer may cause an unsafe condition. Do not modify the pet feeder.
- Do not operate any appliance if the unit is malfunctioning or has been damaged. Do not attempt repairs on the pet feeder yourself. Contact our customer service immediately for further instructions.
- Always unplug when not in use and before cleaning.
- Never pull on the electrical power cord to remove the plug from the wall outlet.
- If the plug of this device gets wet, turn off the electricity to that wall outlet. Do not attempt to unplug.
- Examine the feeder after installation. Do not plug in if there is water on the power cord or plug.
- To avoid tripping, always position power cord out of the way of foot traffic.

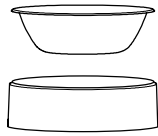
CAUTION

- Do NOT install or store the pet feeder where it will be exposed to weather or temperatures below 4°C / 39.2°F.
- Use alkaline D batteries to power. Do NOT use rechargeable batteries.
- Check the batteries regularly. Before leaving for extended time, always replace batteries with new ones.
- Do NOT lift the pet feeder by lid, food tank, or food tray. Lift and carry it using both hands and the base, while keeping the unit in an upright position.
- Suitable for dry food ONLY, with kibble size ranging from 2-15mm / 0.07-0.6 inch in diameter. Larger kibble may get stuck at the food outlet.
- Do not put your fingers into the food outlet or let your fingers touch the rotor.
- Read and observe all important notices listed on the pet feeder and in the packaging.

IN THE BOX



1 X Automatic Pet Feeder



1 X Food Bowl with Holder



1 X Power Adapter



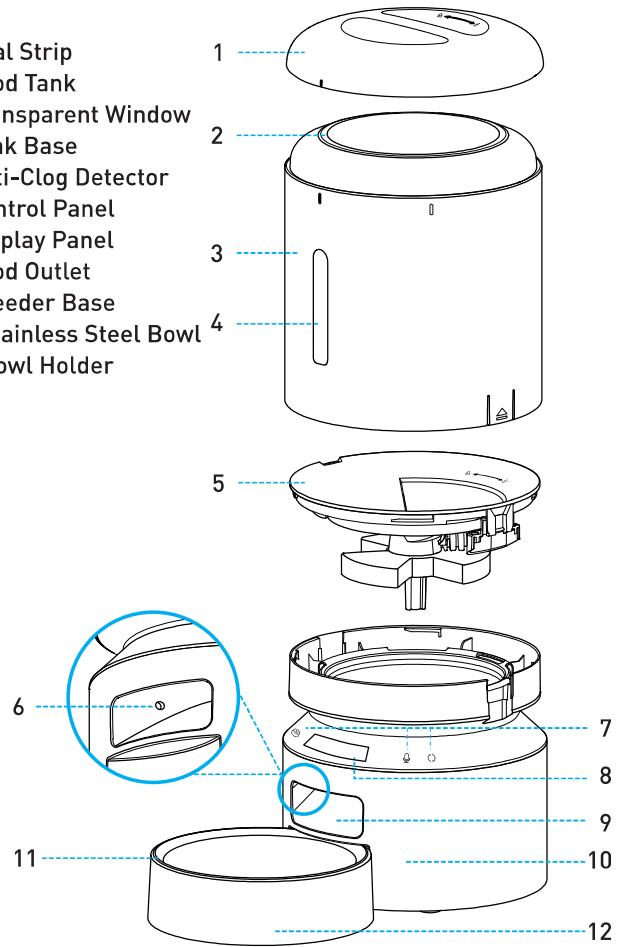
1 X User Guide Kit

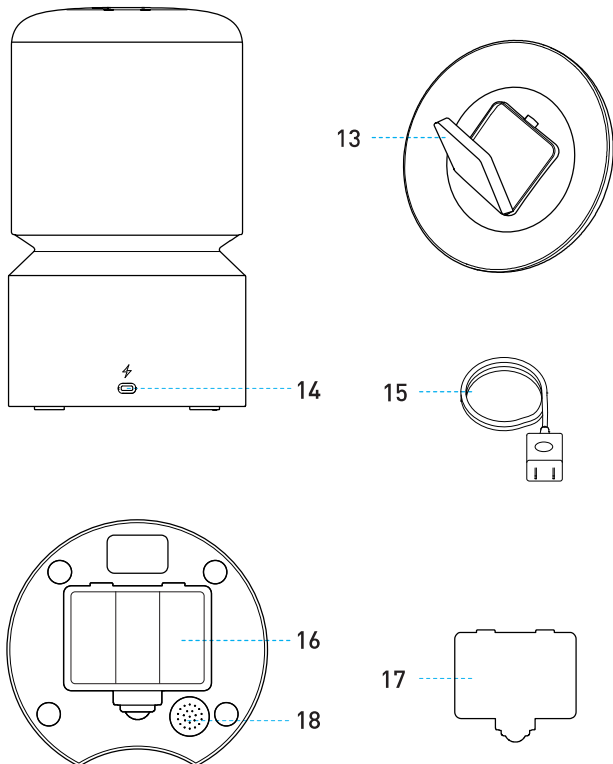


1 X Desiccant Bag

PRODUCT OVERVIEW

- 1: Lid
- 2: Seal Strip
- 3: Food Tank
- 4: Transparent Window
- 5: Tank Base
- 6: Anti-Clog Detector
- 7: Control Panel
- 8: Display Panel
- 9: Food Outlet
- 10: Feeder Base
- 11: Stainless Steel Bowl
- 12: Bowl Holder



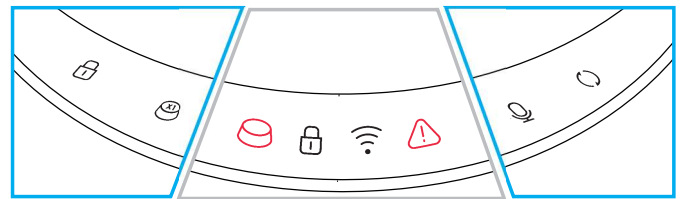


13: Desiccant Box
14: Power Jack
15: Power Adaptor

16: Battery Compartment
17: Compartment Lid
18: Speaker

BUTTONS AND DISPLAY OVERVIEW

Buttons Overview



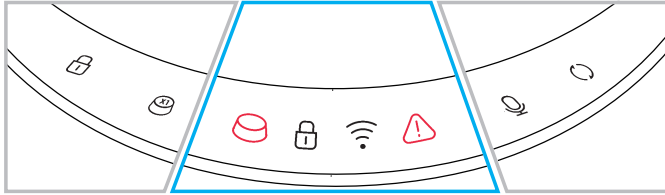
Unlocked Button
To unlock the control panel, press and hold the button for 5 seconds, the device emits a Di, DiDi sound.

Manual Feeding Button
In the unlocked state, press once to dispense 1 portion of food.

Record Button
In the unlocked state, press and hold the button, start recording after a beep is heard. Record your message (Max:10 seconds). Release the button if you finish recording, two beeps will be heard indicating it's saved.

Reset Button
In the unlocked state, keep holding the reset button until the feeder emits beeps: Di, DiDi, the WiFi indicator keeps flashing, it indicates the device is ready for re-connection.

Indicators Overview



Food level indicator

Light up red if the food level is low.
Off if the tank has enough food.

Lock indicator

On if the control panel is locked.
Off if the control panel is unlocked.

Note: The control buttons and screen will be locked automatically after 30 seconds of standby.

WiFi Indicator

Flash every one second	The feeder is in Bluetooth/AP mode, ready to connect with APP.
Stay Solid	Connected to WiFi.
Off	Not connected to WiFi.

Work Status Indicator

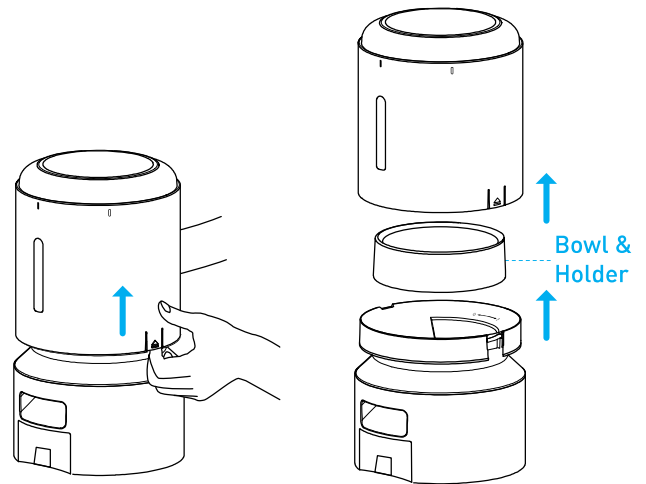
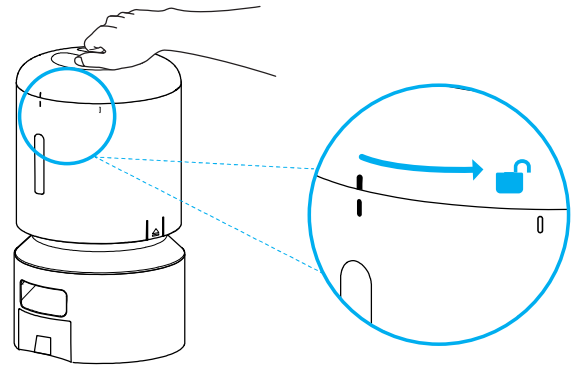
On	Food blockage or the motor can't work.
Off	Everything is working well.

SET UP THE FEEDER

Assembly and Prepare for Setting

1. Take out the food bowl inside the food tank.

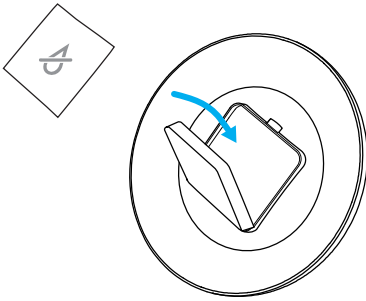
Twist the lid anticlockwise to remove the lid. Pull up along the notches on either side to remove the food tank.



2. Place the desiccant bag into the inner box under the lid.

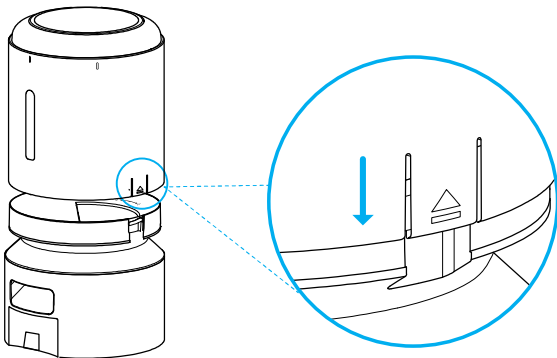
Notes:

- It is recommended to change the desiccant bag every 15 days to prevent mold growth.
- Remove the desiccant bag before cleaning the lid.



3. Install the food tank.

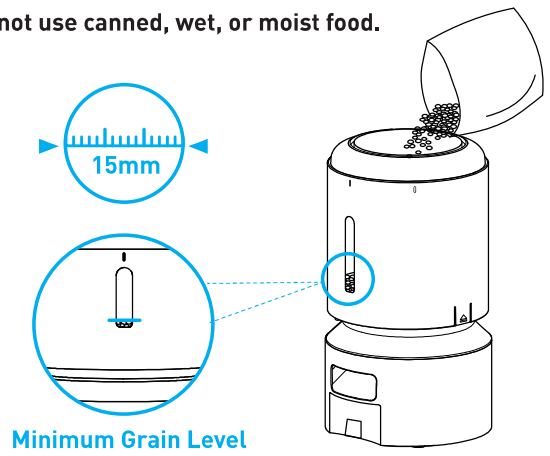
Align the food tank with the notches on both sides of the tank base.



4. Add dry pet food to the food tank.

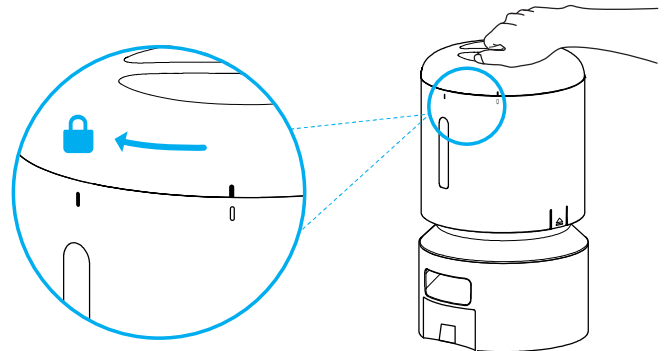
Notes:

- To prevent uneven food dispensing, please add enough pet food to the visible level.
- Recommended kibble size: 2-15mm/0.07-0.6 inch in diameter.
- Do not use canned, wet, or moist food.



5. Put the lid back on.

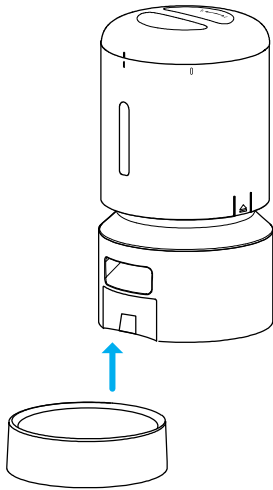
To snap into place, turn the lid clockwise from the right rotating sign to the left rotating sign.



6. Install the Food Bowl

Attach the bowl to the designated notches underneath the feeder base.

Note: Before moving the feeder, press the bowl down to remove it from the feeder base. If there is grain in the food bowl, handle it gently to avoid spilling. Hold the base instead of any other parts when lifting the feeder.



7. Connect Power

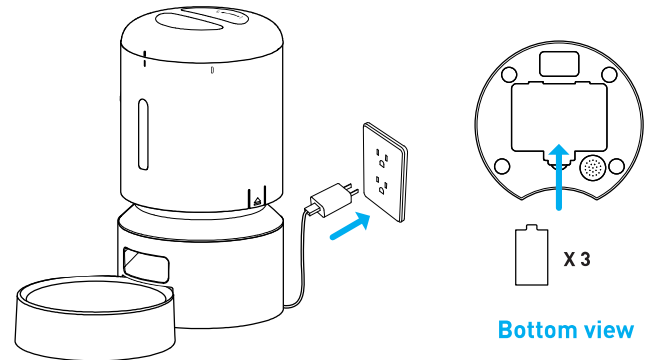
1) Plug the 5V power adapter into a power socket and the USB cable into the USB port on the back of the feeder.

2) The LED display will light up automatically to indicate the feeder is on.

3) Open the battery compartment at the bottom of the feeder. Install three alkaline D batteries (not included) in case of a power outage. Make sure the batteries match the positive and negative poles with the markings in the compartment.

Notes:

- Batteries are not included.
- To avoid sudden power outage and the feeding of your pet is affected, do not use the batteries as the only source to power the feeder, the batteries can only be used as an emergency plan.
- To avoid battery leakage, remove the batteries if the device won't be in use for a period of time.





CONTROLLING VIA APP

***Note: The feeder supports 2.4GHz and 5GHz WiFi .**

System Requirements

iPhone on iOS 10.0 or later; smartphone on Android 5.0 or later

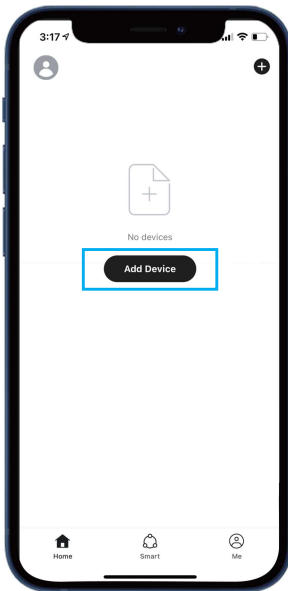
Install the APP & Log in

1. Search "PETLIBRO" in App Store  or Google Play  to download the App.
2. Sign up or Log in to your account.

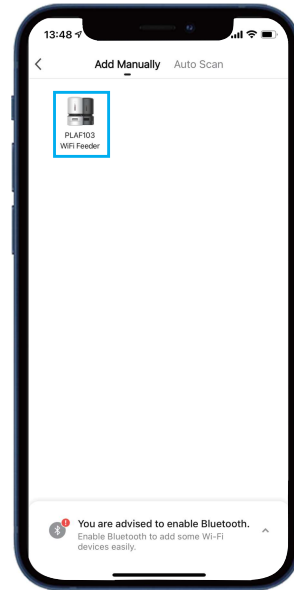
Add the Device

A. Add the Feeder Via Bluetooth Mode

- 1) Open the App, select Home page, tap "Add Device" or "+" in the upper right corner.



- 2) Choose PLAF103 WiFi Feeder.

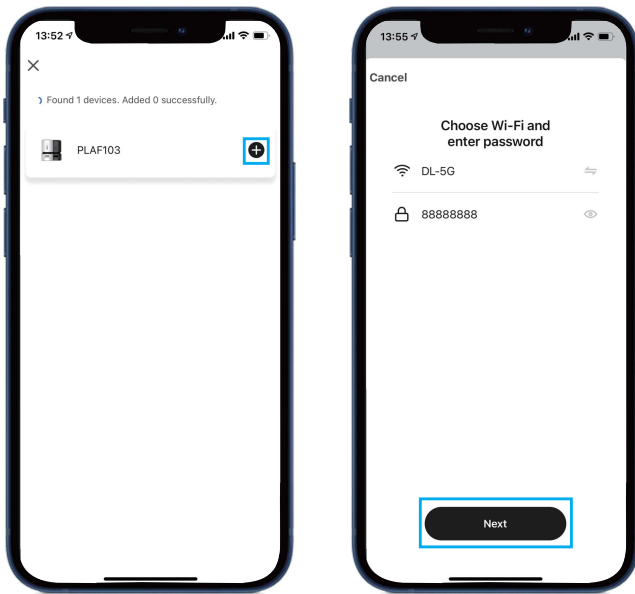


- 3) Follow the instructions on the screen, and confirm the WiFi indicator on the feeder is flashing.

[Note: If the WiFi indicator on the feeder is not flashing, hold the unlocked button for 5s to unlock, the lock indicator goes out. Keep holding the reset button until the WiFi indicator keeps flashing.]



4) Add the device PLAF103 by entering WIFI account and password.



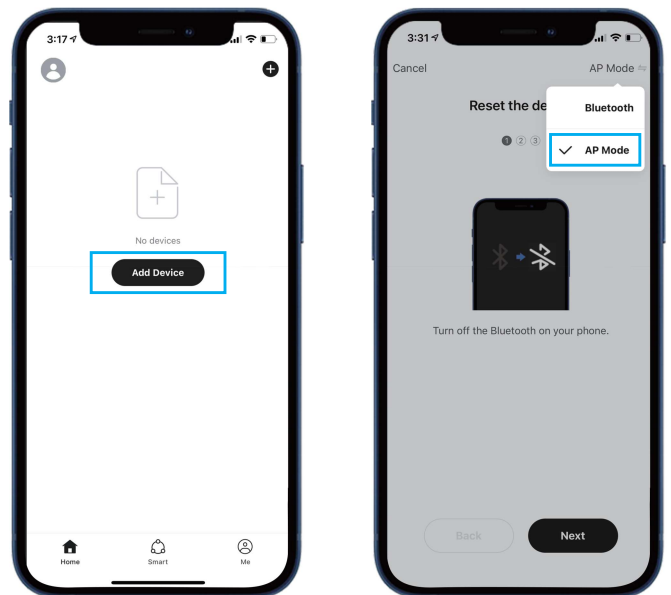
5) Feeder connected, start to set the feeding time and portions, record meal call, and set the times the meal call play.

B. Add the Feeder in AP Mode

1) Turn off the Bluetooth on your phone.



2) Open the App, tap "Add Device" or "+" in the upper right corner, choose PLAF103 WiFi Feeder, tap the icon at the top right corner and choose AP mode.



3) Confirm the WiFi indicator on the feeder is flashing.
(Note: If the WiFi indicator on the feeder is not flashing, hold the unlocked button for 5s to unlock, the lock indicator goes out. Keep holding the reset button until the WiFi indicator keeps flashing.)

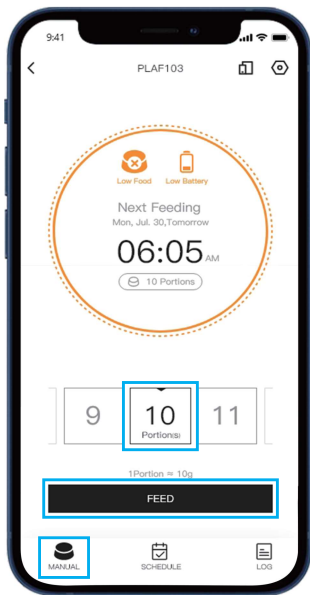
4) Enter your WIFI account and password, and go to the WIFI connection interface on your phone, find the device "SL-PETLIBRO-xxxx" and tap to connect.

5) Back to the App and wait for connecting.

6) Feeder connected, start to set the meal time and portion size, record meal call, and set the times the meal call play.

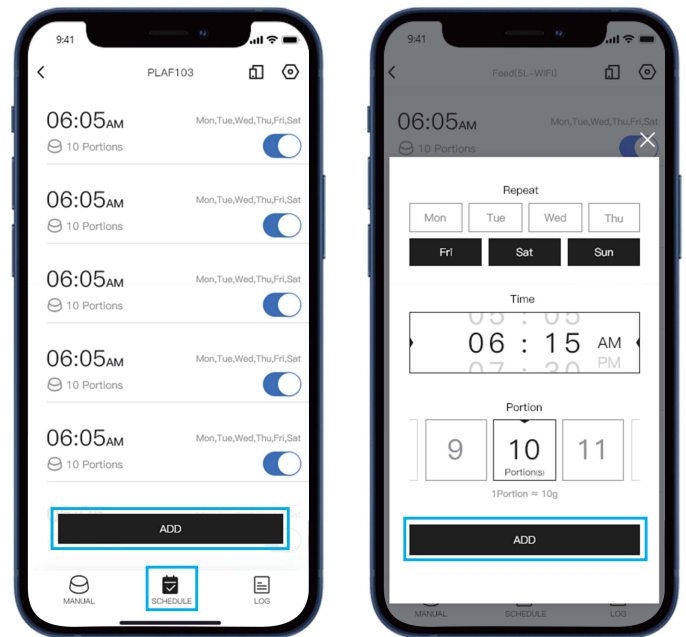
Manually Feeding the Pet

On **Manual** page, choose the **portion** you want to feed first, then tap the **Feed** icon. The feeder will feed immediately.



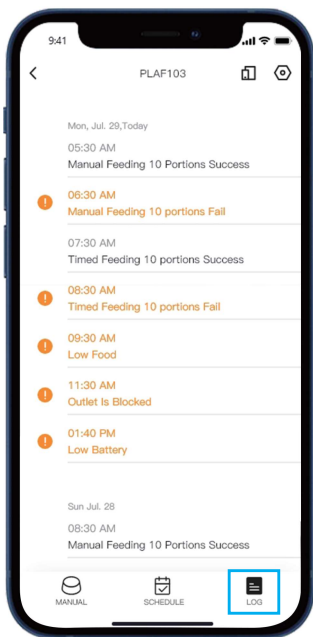
Set Meal Plan

On **Schedule** page, tap the **Add** icon, choose **feeding time**, **feeding days**, and **feeding portions**.




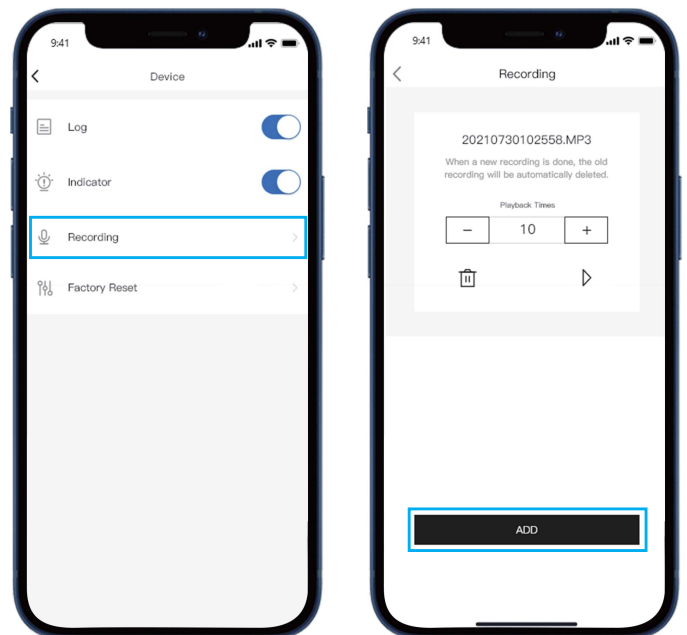
View the Logs

On Log page, you can view the feeding records and abnormal notifications.




Record a Meal Call & Set Playback Times

Tap  icon in the upper right corner → **Recording**, then tap the **Add** icon, follow the instructions on the screen to record a meal call, set the times the meal call play.




Note: The device can only keep the latest recording. When a new recording is done, the old recording will be automatically deleted.

Reset the Feeder on App


Tap  icon in the top right corner → **Factory Reset**, the feeder emits beeps: Di, DiDi, the WiFi indicator keeps flashing, it indicates the device is ready for re-connection.

Share the Device


Tap  icon in the top right corner → **Share Device** → **Add Sharing**.

If you want to add the feeder to another person's mobile phone, register a new account on his/her phone first, then you can share the device with the new account. Make sure the two accounts are registered in the same country.

Remove Device

Tap  icon in the top right corner → **Remove Device** → **Disconnect**.

Check FAQs and Send Feedback

Tap  icon in the top right corner → **FAQ&Feedback**. Check the frequently asked questions related to the device, and you can also submit questions and feedback to us.

CLEAN AND CARE

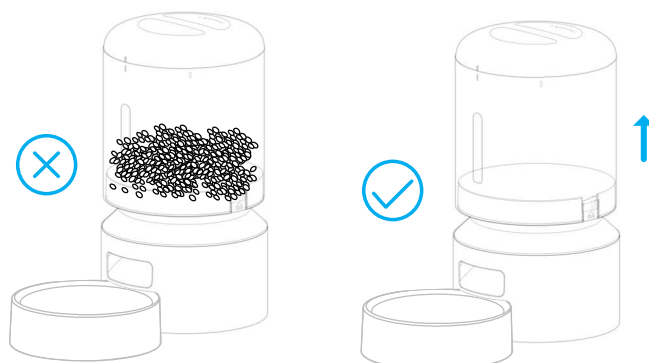
It's recommended to clean the feeder regularly for the health of pets.

The washable parts are as follows: lid, food tank, tank base, stainless steel bowl, and bowl holder.

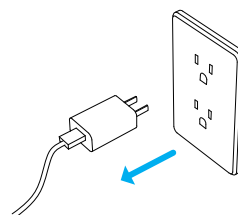
Clean other parts with a dry cloth.

Clean the tank lid, food tank, tank base

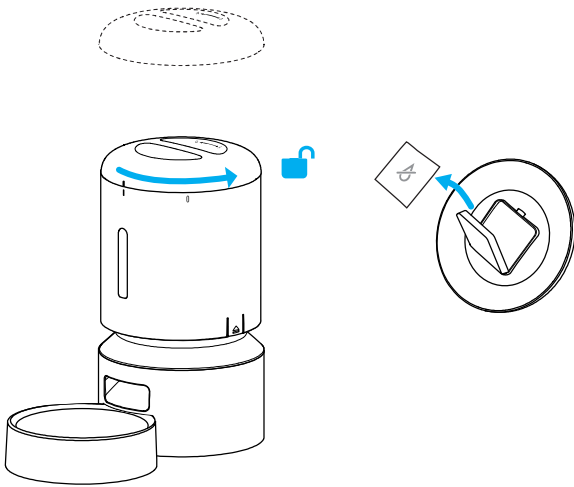
Before removing the food tank, be sure the food tank is empty in case of food spilling all over.



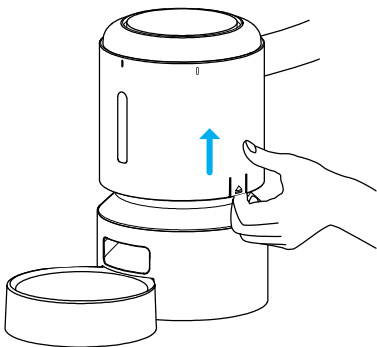
1. Disconnect power before cleaning.



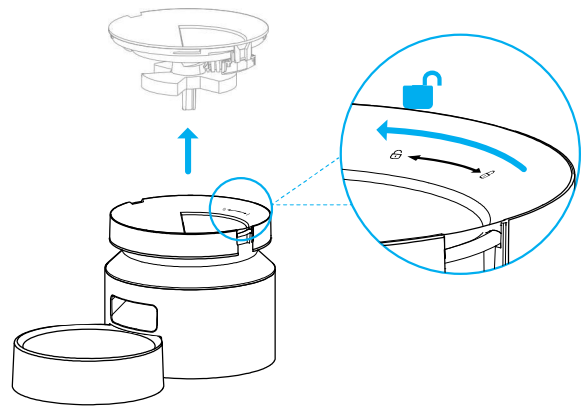
2. Twist anticlockwise to remove the lid and take out the desiccant bag from the inner box under the lid.



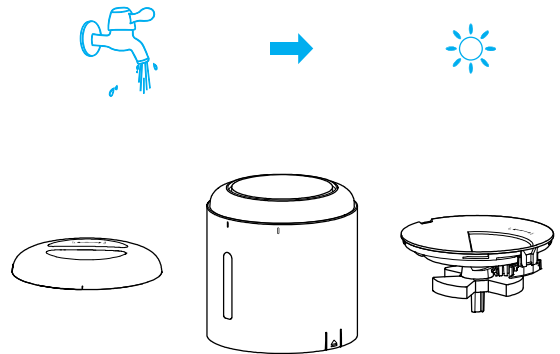
3. Pull up along the notches to remove the tank.



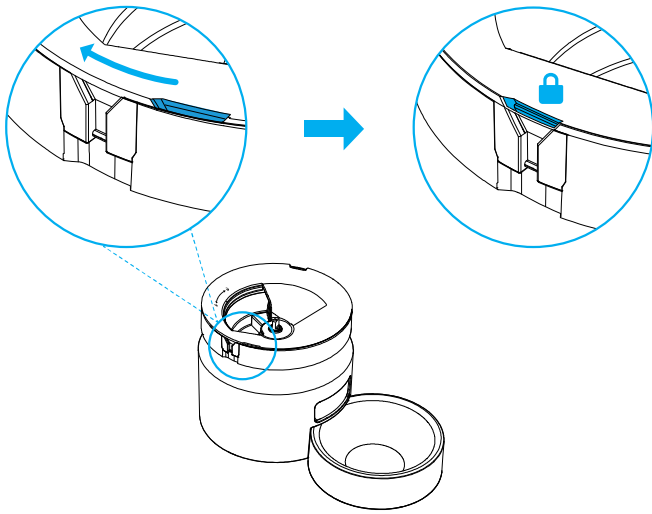
4. Twist anticlockwise to remove the tank base.



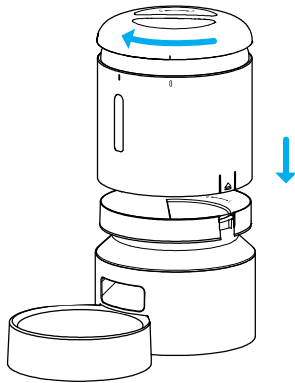
5. Thoroughly rinse and air dry the lid, tank and tank base .



6. Refit them to the machine. Turn the tank base clockwise until it snaps into place

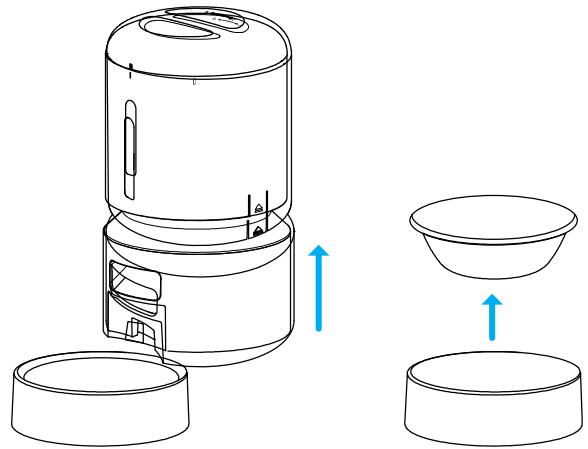


7. Then install the tank and lid.

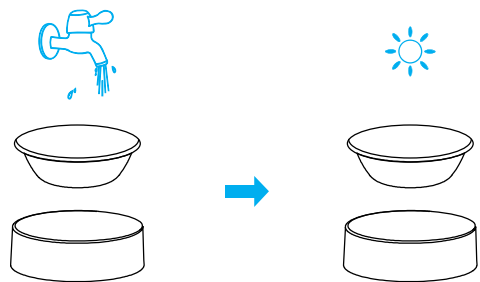


Clean the Food Bowl

1. Press down the food bowl with holder to remove them.



2. Rinse and air dry them thoroughly before refitting them to the machine.



SPECIFICATIONS

Model	PLAF103
Capacity	5 liters
Power	DC 5V power adapter; 3 x alkaline D batteries (not included)
Power Adapter	AC100-240V, 50/60Hz Input, DC 5V output
Operating Temperature	0°C - 55°C / 32°F - 131°F
Dimensions	28 x 19 x 19 cm / 11x 7.5 x 7.5 in
Net Weight	2kg / 4.4 lbs

TROUBLESHOOTING

The answers to these questions should help you solve most problems you may have with the pet feeder. If they do not, please contact our Customer Care Center via support@petlibro.com.

Problem	Solution
I press the buttons but they don't work.	Press and hold the Unlocked Button for 5s to unlock the buttons.
The food won't come out.	<ol style="list-style-type: none"> 1) Please make sure the food in the tank is dry, and food size is within 2-15 mm / 0.07-0.6 inch in diameter. 2) Remove the food tank and tank base, check if the chute inside is blocked. 3) Check if the anti-clog detector at the food outlet is dirty or blocked. 4) Check whether the battery level is low, whether the power adapter is connected, whether power outage occurs when the power adapter is connected and batteries are not installed.

Problem	Solution
The indicators are off.	<ol style="list-style-type: none"> 1) Check whether the electricity is cut off. 2) Check whether the indicator function is off on the App.
I can't remove the food tank.	Please pull upwards along the notches on either side to remove the food tank.
The portion amount is not the same.	The first few portions may vary, but it doesn't mean the appliance is faulty. After about 6 feedings, it should be almost even.

WARRANTY

We provide a 1-year warranty for this appliance. Please email our support team at support@petlibro.com if you have any questions, and attach your order ID in your email. We'll get back to you as quick as possible.

For more information, please visit www.petlibro.com

This device complies with Part 15 of the FCC Rules. Operation is subject to the following two conditions: (1) this device may not cause harmful interference, and (2) this device must accept any interference received, including interference that may cause undesired operation.

Changes or modifications to this unit not expressly approved by the party responsible for compliance could void the user's authority to operate the equipment.

NOTE: This equipment has been tested and found to comply with the limits for a Class B digital device, pursuant to Part 15 of the FCC Rules. These limits are designed to provide reasonable protection against harmful interference in a residential installation. This equipment generates, uses and can radiate radio frequency energy and, if not installed and used in accordance with the instructions, may cause harmful interference to radio communications. However, there is no guarantee that interference will not occur in a particular installation. If this equipment does cause harmful interference to radio or television reception, which can be determined by turning the equipment off and on, the user is encouraged to try to correct the interference by one or more of the following measures:

- Reorient or relocate the receiving antenna.
- Increase the separation between the equipment and receiver.
- Connect the equipment into an outlet on a circuit different from that to which the receiver is connected.
- Consult the dealer or an experienced radio/TV technician for help.

This device and its antenna(s) must not be co-located or operation in conjunction with any other antenna or transmitter.

Radiation Exposure Statement

To maintain compliance with FCC's RF Exposure guidelines, This equipment should be installed and operated with minimum distance of 20cm from your body.