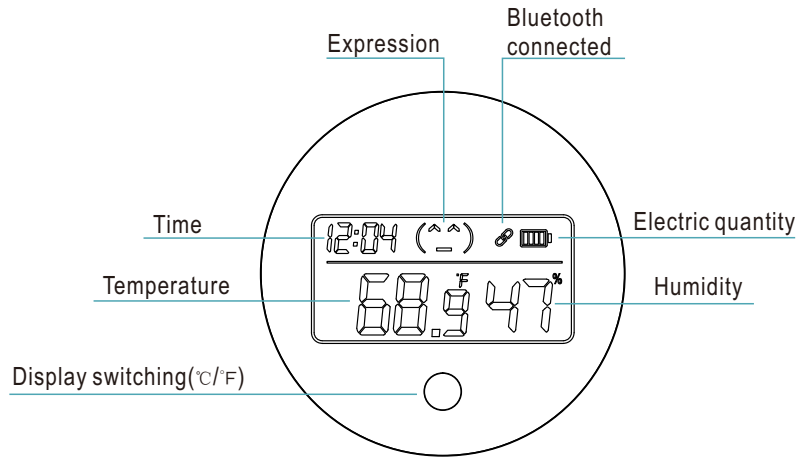


SMART THERMO HYGROMETER



Specifications

Accuracy	Temp:±0.3°C/0.54°F, Humidity:±3%
Operating Temp	0°C-50°C(32°F-122°F)
Operating Humidity	0%-99%
Dimensions	68x68x21mm(2.67x2.67x0.82in)
Bluetooth-enabled Distance	50m/164ft(No obstacles)

Warning

The device should work in an environment with a temperature ranging from 0°C to 50°C and humidity from 0% to 99%.

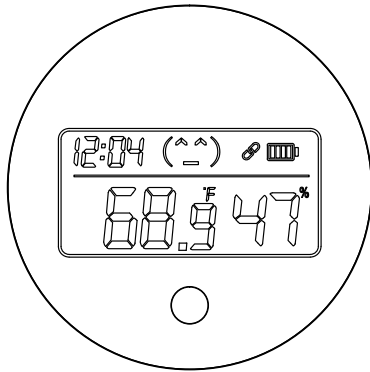
Please take out batteries if you don't use the device for an extended period of time.

Prevent dropping the device from the high place.

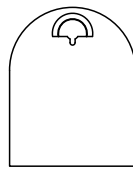
Do not disassemble the device violently.

Do not immerse the device in the water.

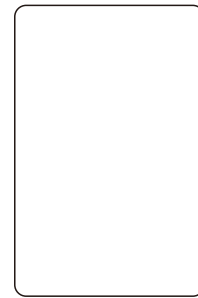
What You Get



Thermometer

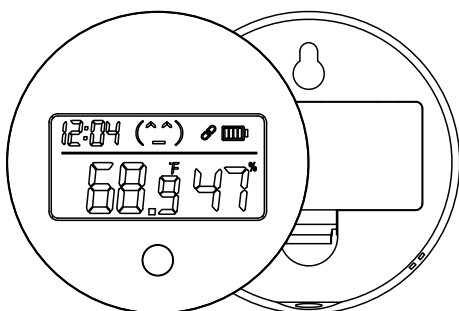


Bracket

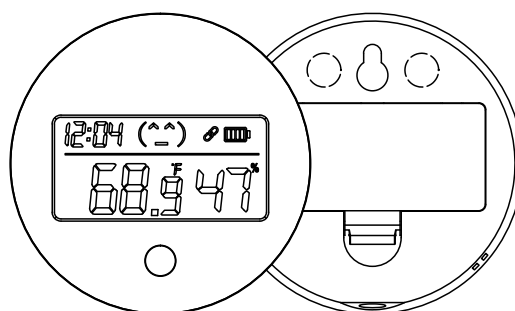


Instructions

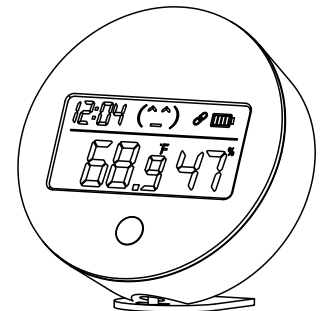
Install



Hook up

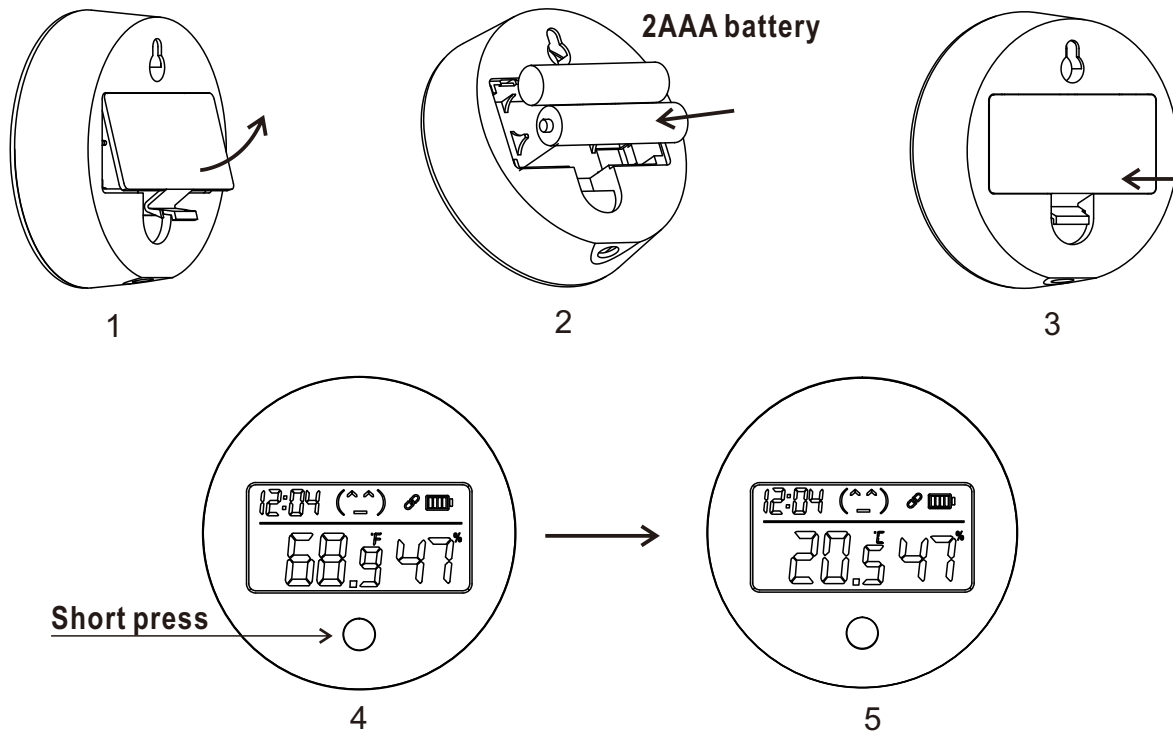


Magnetic attraction

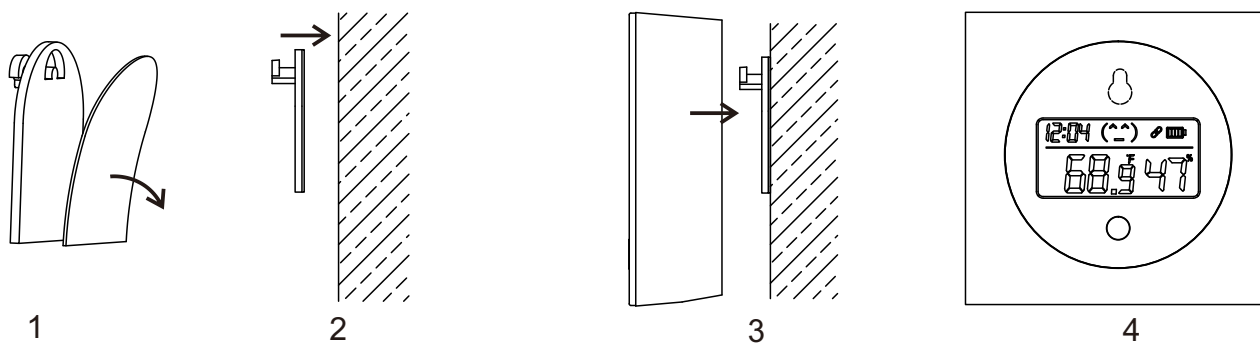


Standing

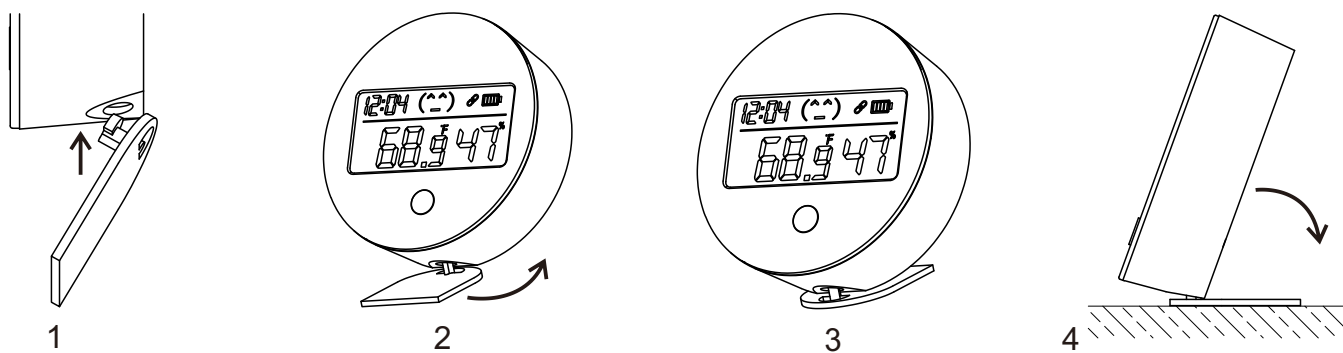
Use operation



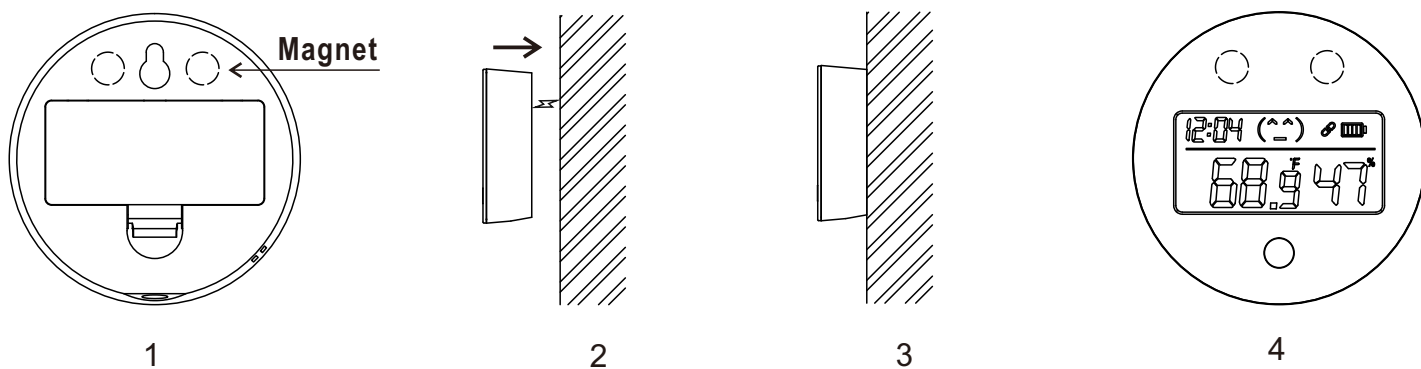
Hook up Install



Standing Install



Magnetic attraction Install



Application process of APP connected thermometer and hygrometer

Intelligent interconnection

Connect smart shyion app

This product has been connected to the smart shyion app.

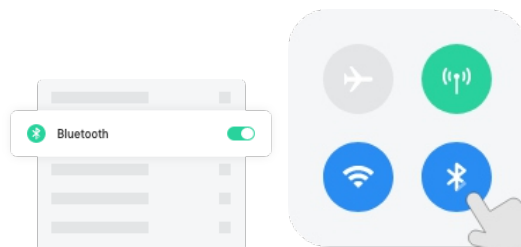
You can view the temperature and humidity displayed on the device through the smart shyion app.

Download smart shyion app

Smart Shyion APP from the APP store (IOS devices) or Google play (Android devices)



Connect Bluetooth



1. Turn on Bluetooth in your phone
2. Open the home page of smart shyion app, click the "+" icon at the bottom and select thermo hygrometer
3. Follow the instructions in the application until the connection is complete.
4. When the connection is completed, the connection icon is displayed on the LCD screen, indicating that the connection is successful. (equipment drawing is provided here)
5. When the Bluetooth device interface appears on the app home page, it indicates that the connection is successful.
6. Please check the above steps. If the connection fails, please try again.

Troubleshooting

1. The device cannot be connected
 - a. Make sure the Bluetooth function in the phone is on
 - b. Make sure the selected device is thermo hygrometer
 - c. Keep your phone within 50 meters / 164 feet of your device
2. The data in the application is not updated
 - a. Make sure the device is connected to the app application

Customer Service

1. Warranty period: valid within 12 months
2. Technical support: lifelong technical support
3. Email: info@shyionus.com
4. Shyion is a trademark of Shanghai Huangzhu e-commerce Co., Ltd
5. Copyright: © 2021 Shanghai Huangzhu e-commerce Co., Ltd

FCC Statement

1. This device complies with Part 15 of the FCC Rules. Operation is subject to the following two conditions:
 - (1) This device may not cause harmful interference.
 - (2) This device must accept any interference received, including interference that may cause undesired operation.
2. Changes or modifications not expressly approved by the party responsible for compliance could void the user's authority to operate the equipment.

Note: This equipment has been tested and found to comply with the limits for a class B digital device, pursuant to Part 15 of the FCC Rules. These limits are designed to provide reasonable protection against harmful interference in a residential installation.

This equipment generates uses and can radiate radio frequency energy and, if not installed and used in accordance with the instructions, may cause harmful interference to radio communications. However, there is no guarantee that interference will not occur in a particular installation. If this equipment does cause harmful interference to radio or television reception, which can be determined by turning the equipment off and on, the user is encouraged to try to correct the interference by one or more of the following measures:

- Reorient or relocate the receiving antenna.
- Increase the separation between the equipment and receiver.
- Connect the equipment into an outlet on a circuit different from that to which the receiver is connected.
- Consult the dealer or an experienced radio/TV technician for help.

This equipment should be installed and operated with a minimum distance of 20 cm between the radiator and your body.