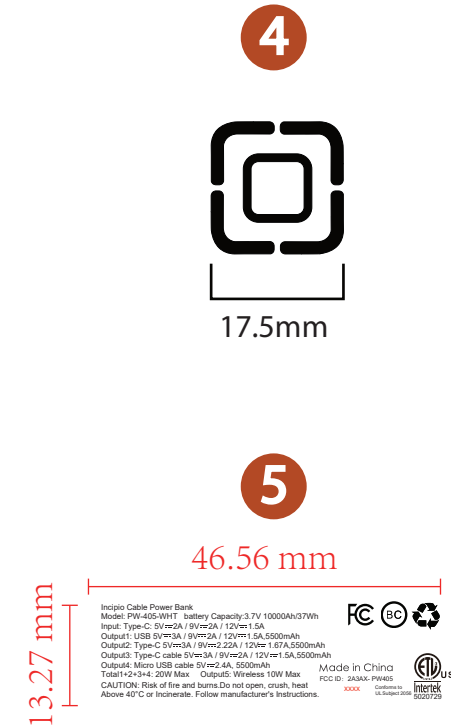
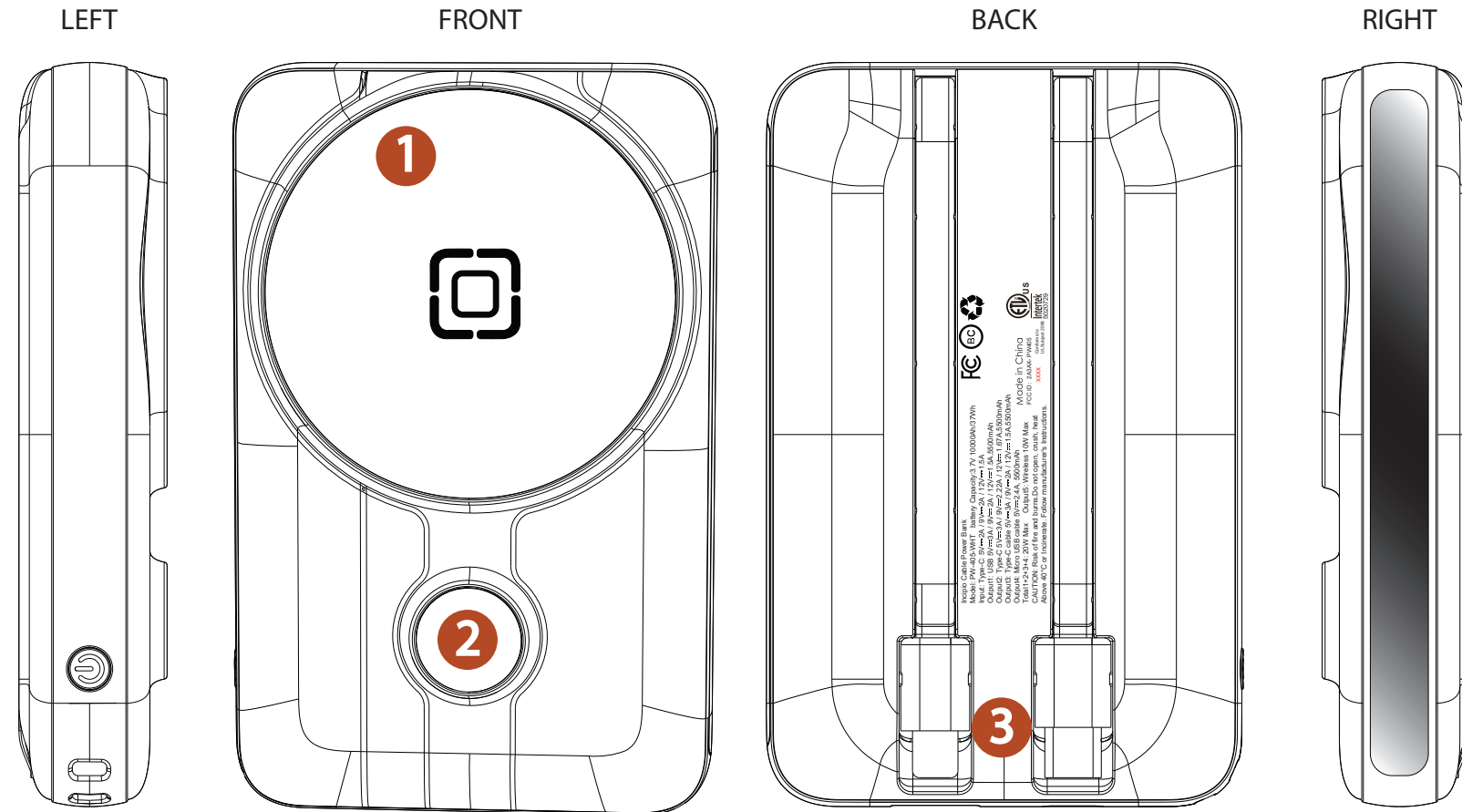
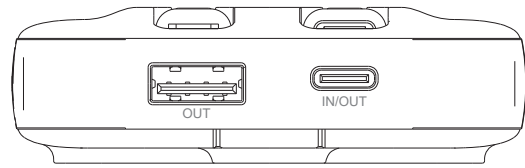


注：批次码根据当次生产日期印
xxxx代表生产日期，比如2022年9月，就是2209

PART DESCRIPTION	COLOR	OPACITY	MATERIAL	FINISH
MAIN HOUSING	NAVY	100%	PC+ABS	MATTE
SILICONE BUTTON	NAVY	100%	SILICONE	SOFT TOUCH
CABLES	NAVY	100%	PVC	MICRO USB + USB-C
MAIN LOGO	PANTONE 654c	100%	SILKSCREEN	GLOSSY, 17.5mm DIAMETER
BACK SPEC	COOL GRAY 10c	100%	LASER PRINT	MATTE, 66.5mm WIDE
N/A	N/A	N/A	N/A	N/A
N/A	N/A	N/A	N/A	N/A
N/A	N/A	N/A	N/A	N/A
N/A	N/A	N/A	N/A	N/A

SKU#	PRODUCT NAME	COLORWAY	DATE	REV#	UNIT	DESIGNER	ENGINEER	PD	PM	FACTORY
PW-405-NVY	Incipio Cable Power Bank	NAVY	9/12/22	1	N/A	Elliot C.	ANDY L.	ANDRE P.	KATE P.	LIANGGANG OPTIC



注：批次码根据当次生产日期印
xxxx代表生产日期，比如2022年9月，就是2209

PART DESCRIPTION	COLOR	OPACITY	MATERIAL	FINISH
MAIN HOUSING	WHITE	100%	PC+ABS	MATTE
SILICONE BUTTON	WHITE	100%	SILICONE	SOFT TOUCH
CABLES	WHITE	100%	PVC	MICRO USB + USB-C
MAIN LOGO	COOL GRAY 3c	100%	SILKSCREEN	GLOSSY, 17.5mm DIAMETER
BACK SPEC	COOL GRAY 10c	100%	LASER PRINT	MATTE, 66.5mm WIDE
N/A	N/A	N/A	N/A	N/A
N/A	N/A	N/A	N/A	N/A
N/A	N/A	N/A	N/A	N/A
N/A	N/A	N/A	N/A	N/A

SKU#	PRODUCT NAME	COLORWAY	DATE	REV#	UNIT	DESIGNER	ENGINEER	PD	PM	FACTORY
PW-405-WHT	Incipio Cable Power Bank	WHITE	9/12/22	1	N/A	Elliot C.	ANDY L.	ANDRE P.	KATE P.	LIANGGANG OPTIC