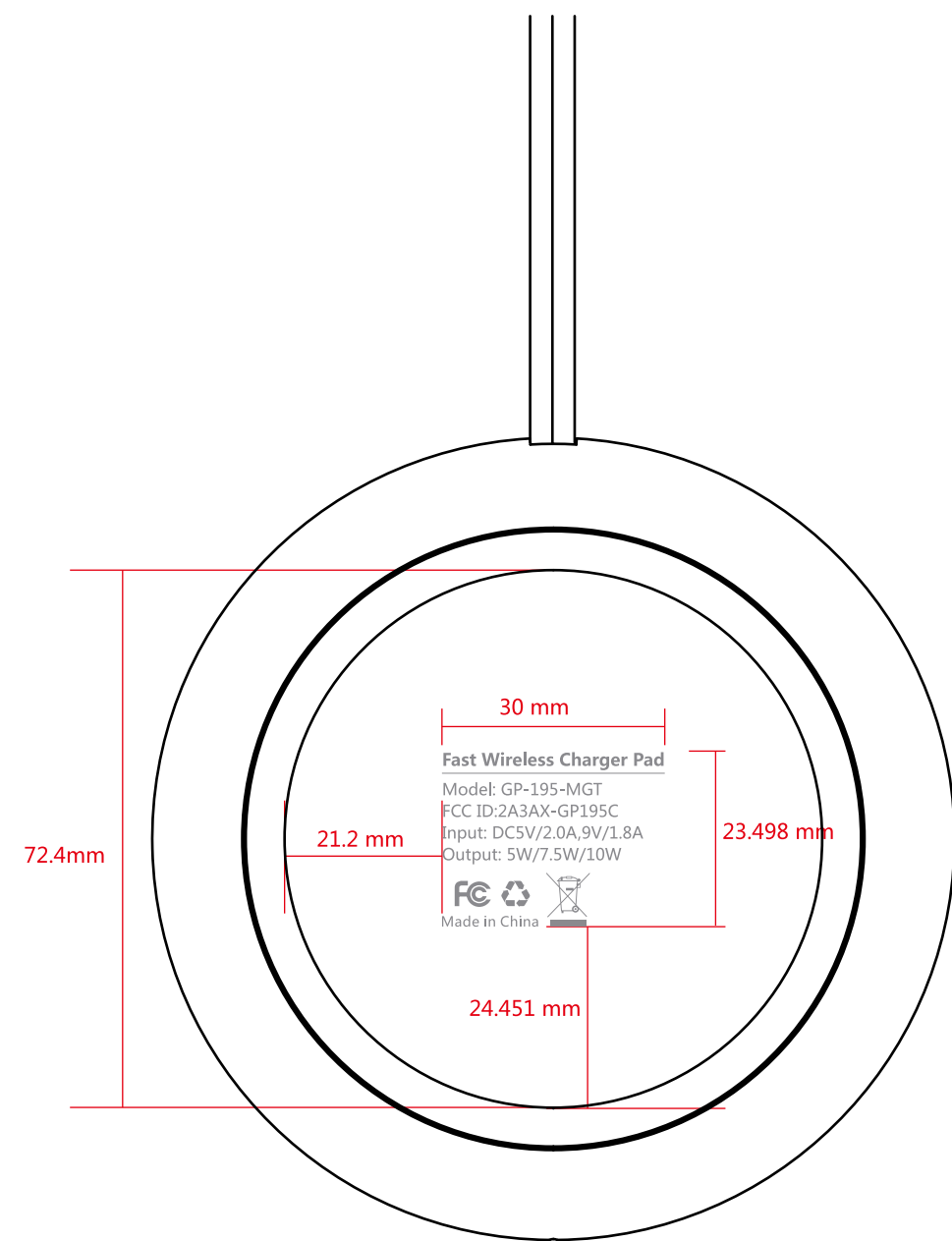
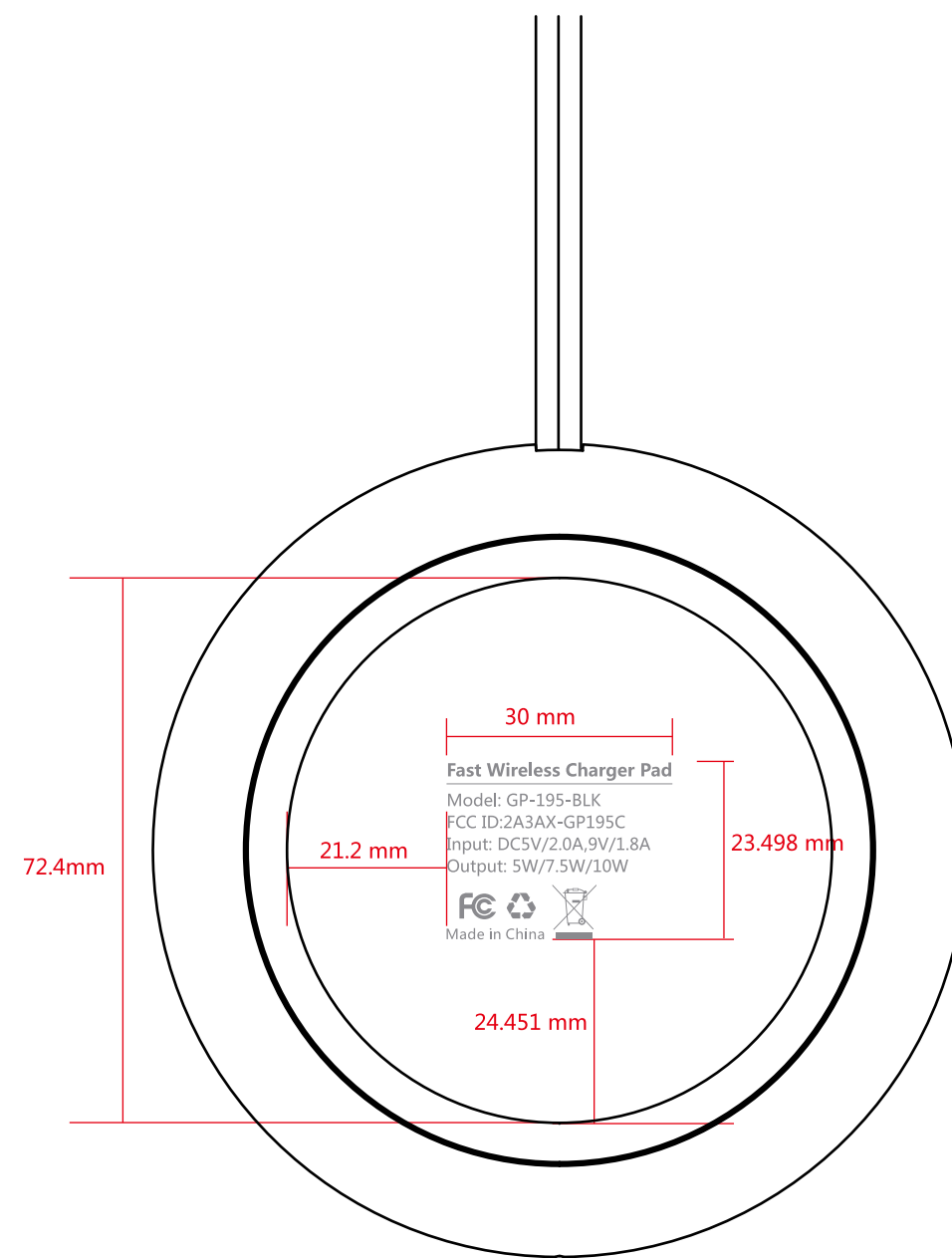


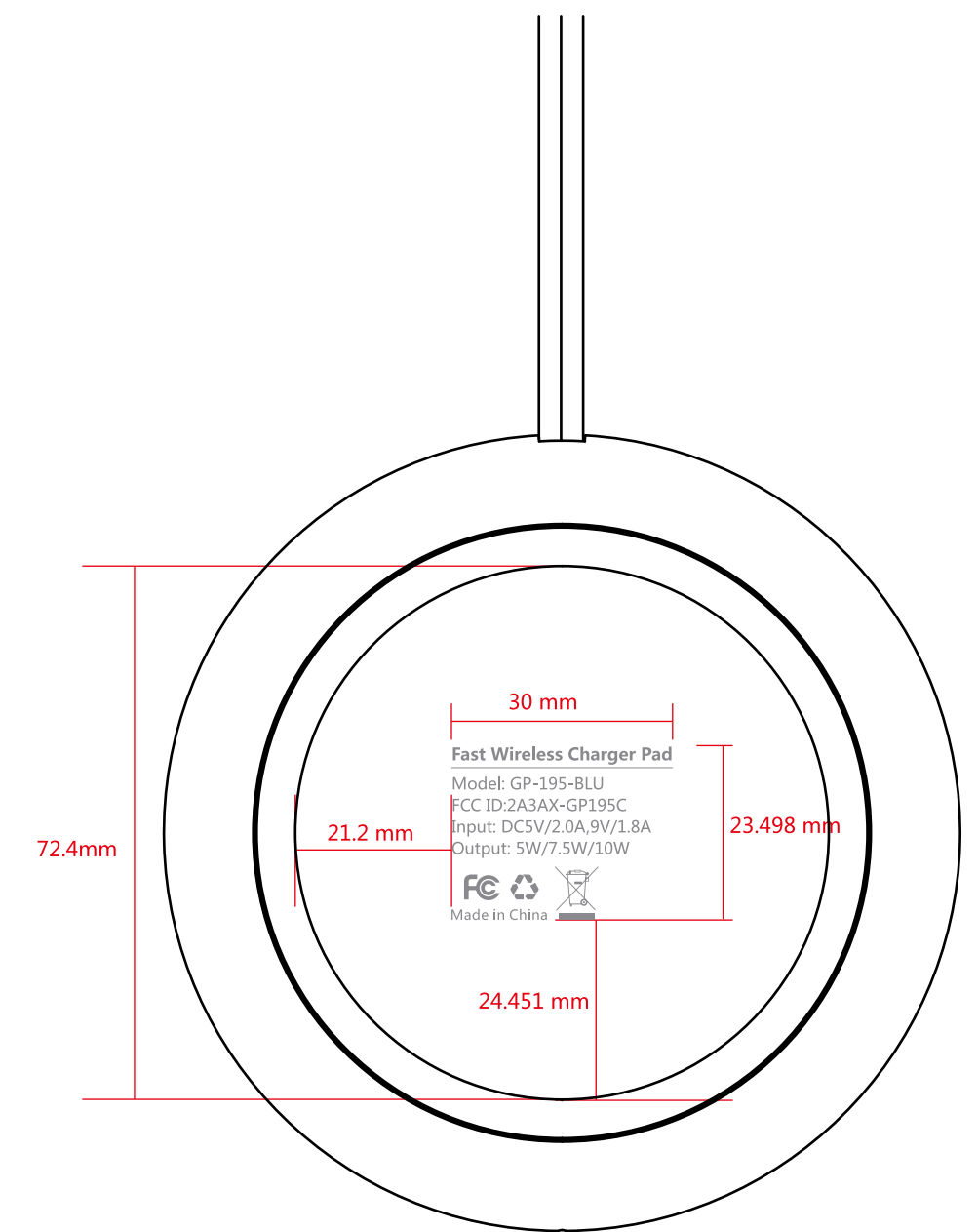
laser logo(镭雕logo)



上下左右居中
LOGO CENTERED E/W
AND N/S



上下左右居中
LOGO CENTERED E/W
AND N/S



上下左右居中
LOGO CENTERED E/W
AND N/S

