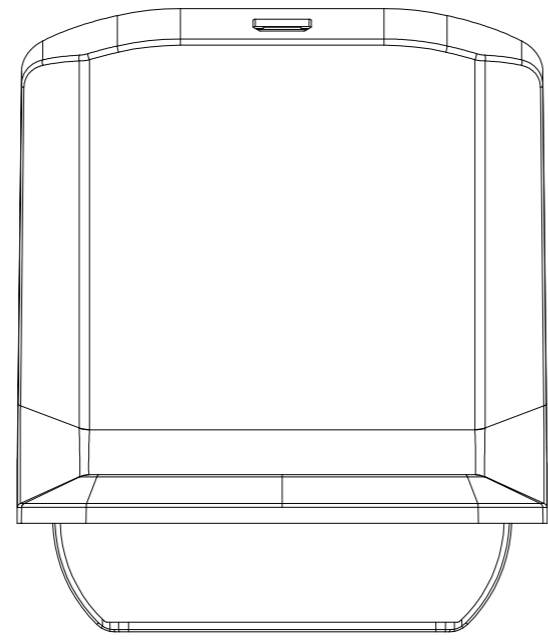
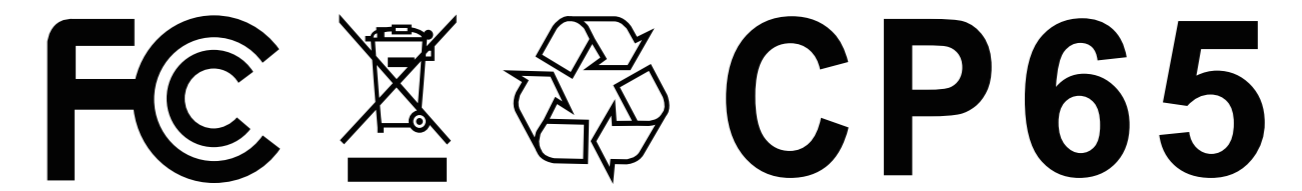


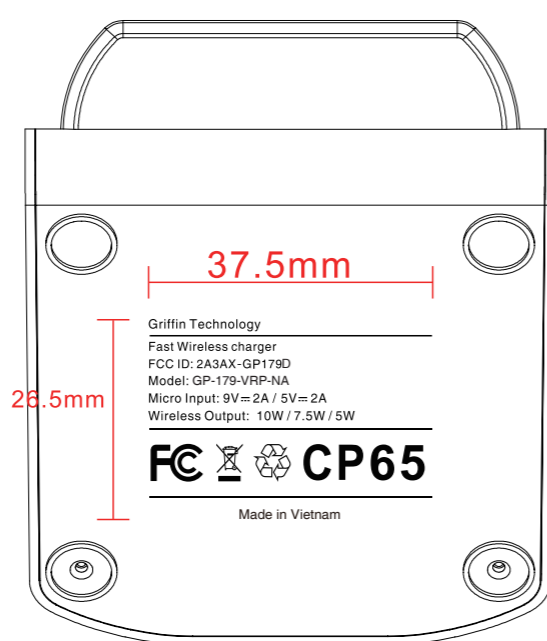
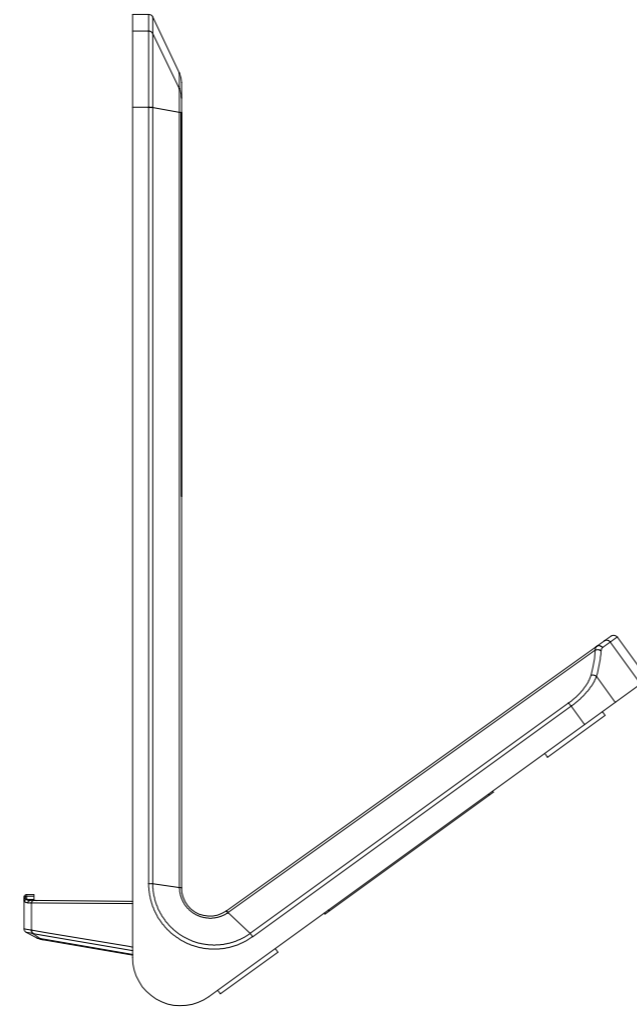
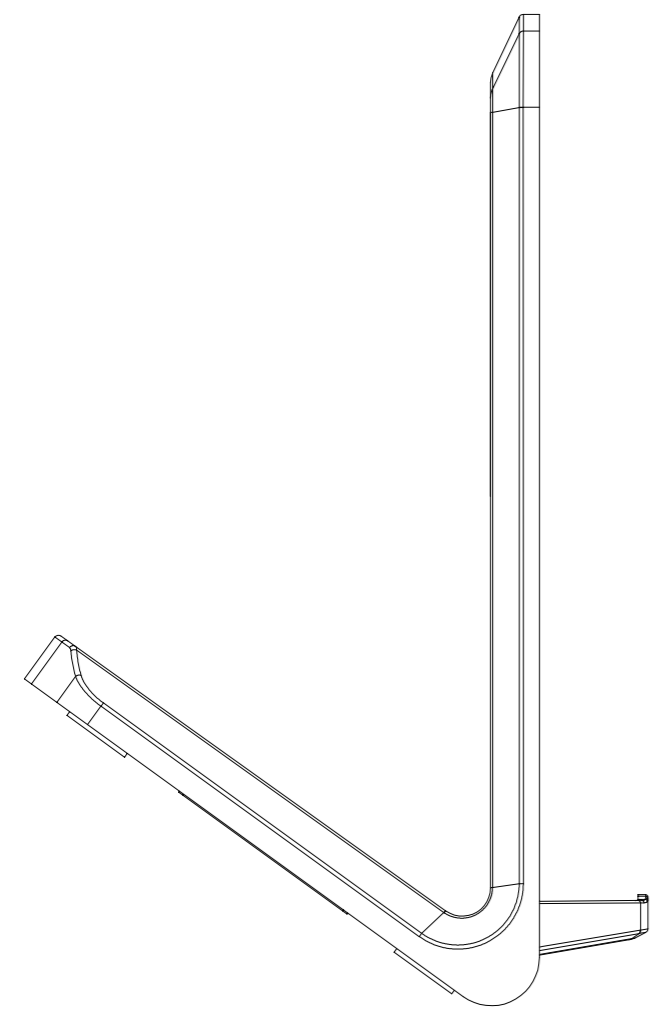
1 2 3 4 5 6 7 8



Griffin Technology
Fast Wireless charger
 FCC ID: 2A3AX-GP179D
 Model: GP-179-VRP-NA
 Micro Input: 9V=2A / 5V=2A
 Wireless Output: 10W / 7.5W / 5W



Made in Vietnam



		 鹏元晟高科技股份有限公司 PYS High-Tech Co., Ltd		Approved By		Date	
				Checked By		Date	
				Designed By	康志勇	Date	
				Description:			
				Document No.		Rev.	
Rev.	Ord.	Revised History		Designed By/Date	Checked By	Approved By	
						Third Angle Projection	
						文件编号: QR-EG-075 版本号: E/0	

1 2 3 4 5 6 7 8