

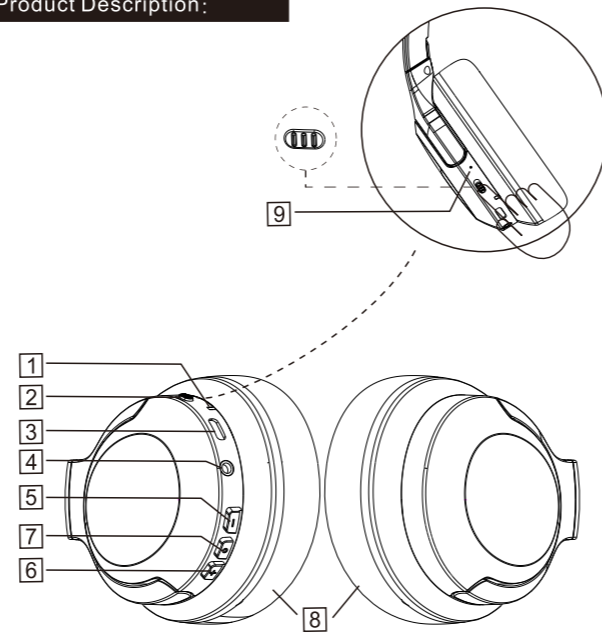


ANC HB111
User's Manual

▲ Specification:

- a Charging input voltage: DC 5V 0.5A
- b Battery: 3.7V 500mAh 1.85Wh
- c Charging time: approx. 2 hours
- d Play time: approx. 16 hours (50% volume)
- e Bluetooth version: 5.3
- f Audio format support: A2DP, AVRCP, HSP, HFP
- g Working distance: ≥10m
- h Size: 186.6*166.9*80.8mm
- i Weight: about 241g
- j Working temperature : 5-35°C
- k Working humidity: 10%-70%
- l Frequency band: 2402 MHz-2480 MHz
- m Maximum input power: <20mW
- n Impedance: 32 Ohm

▲ Product Description:



▲ Button description :

- | | |
|------------------------|-------------------------------|
| 1 LED light | 6 Volume + |
| 2 ANC button | 7 Multi Function Button (MFB) |
| 3 Type-C charging port | 8 Earmuff |
| 4 3.5mm audio jack | 9 Call microphone |
| 5 Volume - | |

▲ Button description :

Function	Operation
Answer / Hang up the call	Single-click the "MFB"
Reject a call	Long press "MFB" for 2S
Play / pause music	Click the "MFB"
Volume +	Click the "VOL +" button
Volume -	Click the "VOL -" button
Backward	Long press the "VOL+" button for 1 second
Forward	Long press the "VOL-" button for 1 second
ANC ON / OFF	Push the ANC button to ON position, the green light is steady ON; Push the ANC button to OFF position, the green light goes OFF.
Voice assistant	Double click the "MFB" to turn on/off the voice assistant
End number redial	Triple click the "MFB"

▲ Use method:

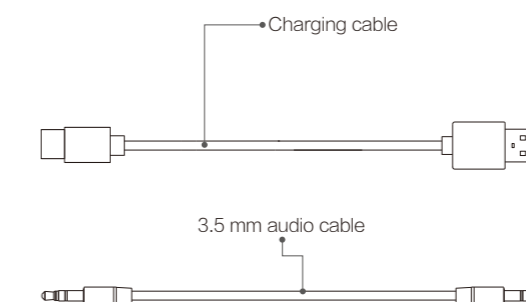
- 1 Place the headphone near the device (e.g. your phone/computer).
- 2 Long press the "MFB" for 2S to turn on the headphone, the blue LED indicator flashes 1s with a prompt tone. Then the headphone start Bluetooth pairing automatically, Led indicator flashes red and blue alternately. (If there is no connection in 10 minutes, it will turn off automatically.).
- 3 Go to Bluetooth settings on your device and select "ANC HB111" .
- 4 After the connection is successful, the blue LED indicator flashes every 10 seconds.
- 5 When the headphone is out of range, it will be disconnected automatically. And it can be connected back to the effective distance range within 10 minutes, and automatically shut down after 10 minutes without connection.
- 6 Hold down the MFB button for 5S to power off the headphone.

▲ Battery prompt:

- 1 The red light flashes slowly when the power is low.
- 2 Charging: when the charger is connected to charge, the headphone will automatically turn off and the red light will be always on.
- 3 Fully charged: when the charger is fully charged, the red light goes out.

▲ Packing List:

- ★ The headphone 1PCS
- ★ Charging cable 1 PCS
- ★ 3.5 mm audio cable 1 PCS
- ★ Manual 1 PCS



▲ FCC warning:

Any Changes or modifications not expressly approved by the party responsible for compliance could void the user's authority to operate the equipment.

Note: This equipment has been tested and found to comply with the limits for a Class B digital device, pursuant to part 15 of the FCC Rules. Operation is subject to the following two conditions:

- (1) This device may not cause harmful interference, and
- (2) this device must accept any interference received, including interference that may cause undesired operation.

These limits are designed to provide reasonable protection against harmful interference in a residential installation. This equipment generates uses and can radiate radio frequency energy and, if not installed and used in accordance with the instructions, may cause harmful interference to radio communications. However, there is no guarantee that interference will not occur in a particular installation. If this equipment does cause harmful interference to radio or television reception, which can be determined by turning the equipment off and on, the user is encouraged to try to correct the interference by one or more of the following measures:

- Reorient or relocate the receiving antenna.
- Increase the separation between the equipment and receiver.
- Connect the equipment into an outlet on a circuit different from that to which the receiver is connected.
- Consult the dealer or an experienced radio/TV technician for help.

The device has been evaluated to meet general RF exposure requirement. The device can be used in portable exposure condition without restriction.