

The **ONE**[®]

The **ONE**[®]
www.smartpiano.com

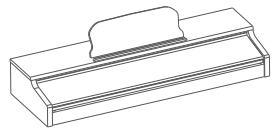
User Guide

NO.2105010

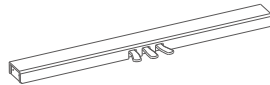
www.smartpiano.com

System Components & Parts List

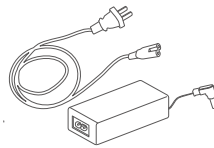
Carefully remove components from the packaging and check that all listed parts are included:



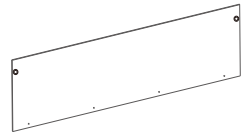
Main body



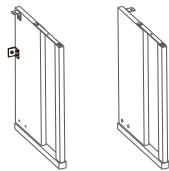
Pedal



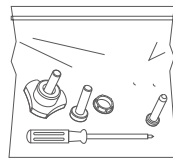
Power source DC 15V



Back plate



Piano legs (left and right)



Toolkit



Cables

Buy other cables from:
www.smartpiano.com



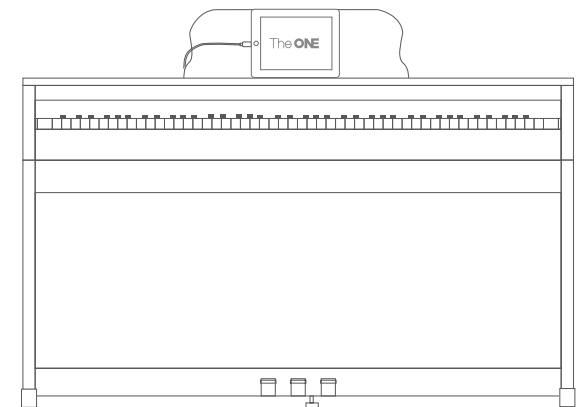
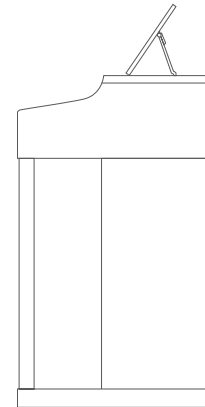
User guide

User guide

Product Introduction

The ONE Smart Piano

The ONE Smart Piano is a smart instrument that can teach you to play. Combining piano education with fun exercises and your favorite songs, The ONE is suitable for both beginners and more experienced players. Its sound quality resembles a grand piano and its functions are endless when connected with an App for your mobile devices or Bluetooth



- Search "The ONE Smart Piano" on App Store or Google Play

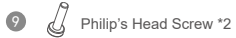
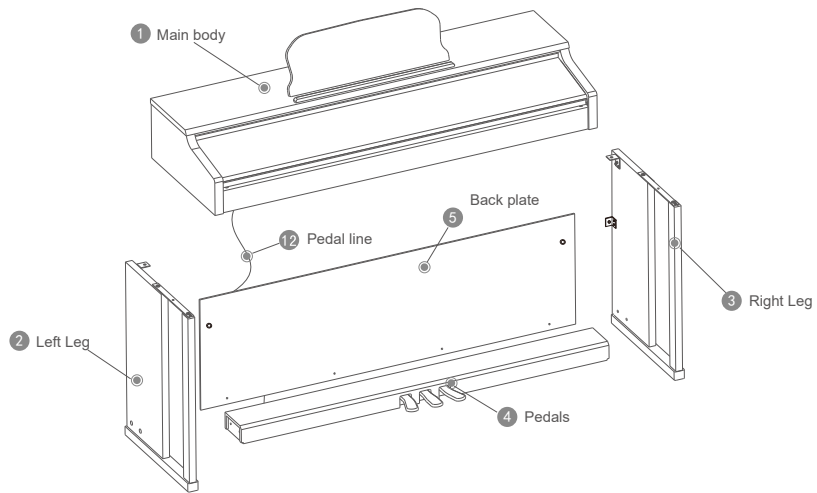
For more information, visit:
<http://www.smartpiano.com/pages/sheet-music>

Toolkit

Before assembling the piano, find the cross screwdriver from the toolkit. Check to make sure that all of the following parts are in the package.



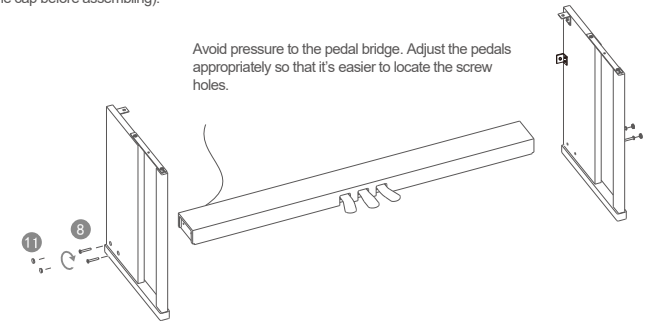
▲ (Note: The product can be quite heavy, so we recommend having two people when moving it.)



Assembly Instructions

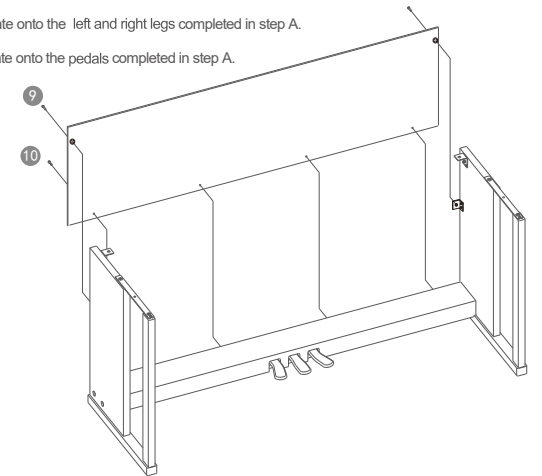
A.

- Place the left and right legs on both sides, then fix the pedals onto the legs as illustrated. Use **8** Self-tapping Head Screw to tighten the pedals.
- Put on **11** Plastic Screw Cap .
(double-check the direction of the cap before assembling).



B.

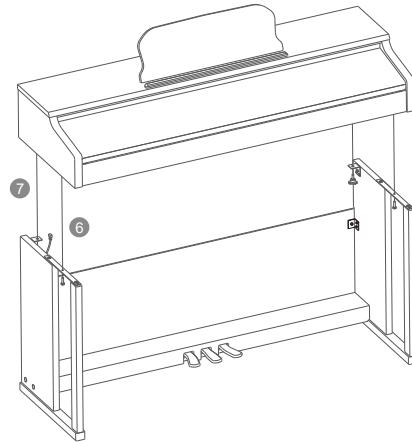
- Use **9** Philip's Head Screw to attach the back plate onto the left and right legs completed in step A.
- Use **10** Self-tapping Screw to attach the back plate onto the pedals completed in step A.



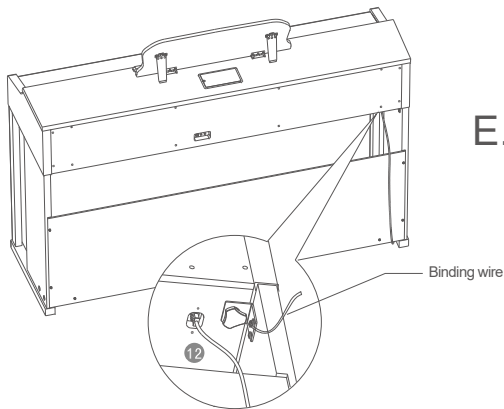
Assembly Instructions

- C.** 1. Mount the main body onto what has been completed in step B. Align two **6** Self-tapping screws and two **7** hand screws to the screw holes, then tighten the screws.

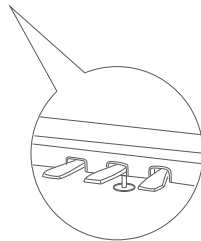
▲ (Note: The product can be heavy at this step, so it's best to have two people when carrying it)



- D.** After assembling the overall piano frame, insert **12** Pedal line into the holes at the bottom of the main body and attach by using the binding wire.



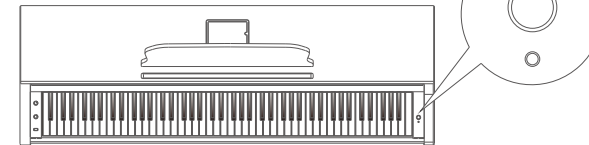
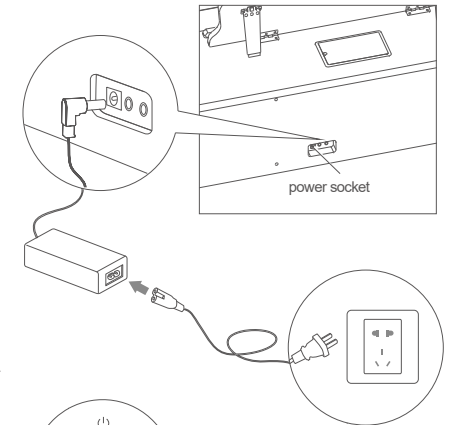
- E.** Place the piano in a static location in your room, then unscrew the screw nut for fixation until it presses against the floor. Do not unscrew the screw nut earlier, or it will scratch your floor.



How to Use

Start-up

1. Make sure the power is off. Before you switch the instrument on, dial down the volume on the keyboard as well as the volume of any connected audio equipment to a minimum level.
2. Connect the AC/DC power adapter to the power socket on the backside of the main body and plug the other side into the power outlet.
3. Switch on the piano. Lit LED lights indicate that the piano is turned on.



4. To turn off the product, press the "Power" button. To prevent accidental power-offs, the product can be turned off only when the button is pressed for a longer time.

Note:

For safety reasons, unplug the instrument when not in use for extended periods of time, or during thunderstorms.

Connect

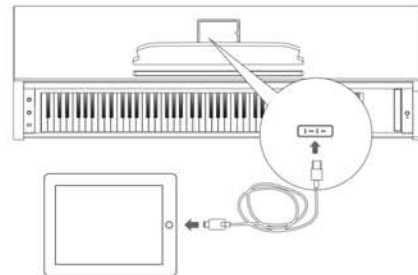
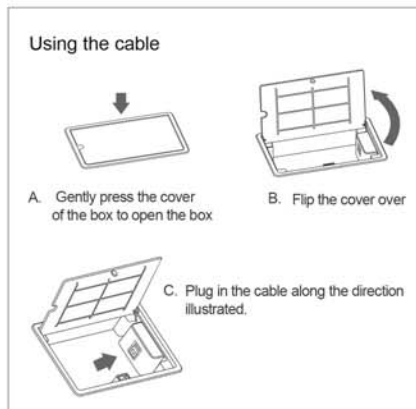
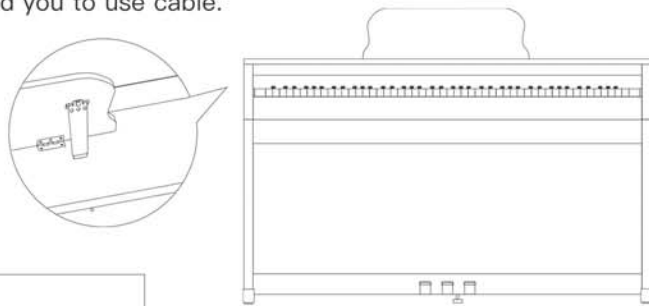
To Use the Stand

The music stand sits on the top of the piano.
You can flip up the stand fold to place scores or tablet devices.

Connect with Smart devices

Connect with Android devices by cable

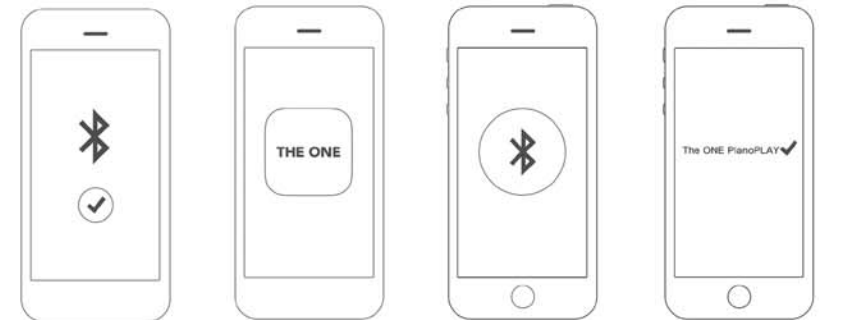
Note: Bluetooth is also supported for Android device connection, but for using friendly, we recommend you to use cable.



Connect

Connect with IOS devices via Bluetooth.

Note: Cables connections don't support IOS devices.



1. Turn on smart

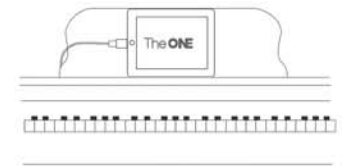
2. Open the app

3. Open Bluetooth Setting in app

4. Select "The ONE Piano PLAY"

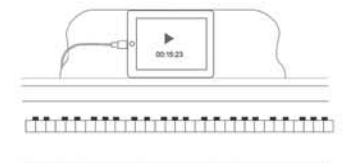
Download the "The ONE Smart Piano app to access extended and additional features

You can also play music from your iPad through The ONE piano. You can use the piano as a form of high-quality speakers for your iPad music.



MIDI Function

When connected to a computer, this Instrument can be used as a MIDI keyboard. When connected With tablets. USB MIDI bidirectional data transmission is available. For example, you can record the music you play on this instrument into your tablet. You can also use the instrument as speakers to play music directly from your tablet devices.



Functions

Master Volume Knob

After start-up, turn the volume knob to the right to increase the volume, and turn the volume knob to the left to decrease the volume. You can adjust in both directions to change the volume.

Keyboard

88-key graded hammer action piano keyboard keyboard that supports a max of 128 key sounds at one time. As you play the piano, you'll experience a touch and feel similar to that of a grand piano.

Using the Metronome

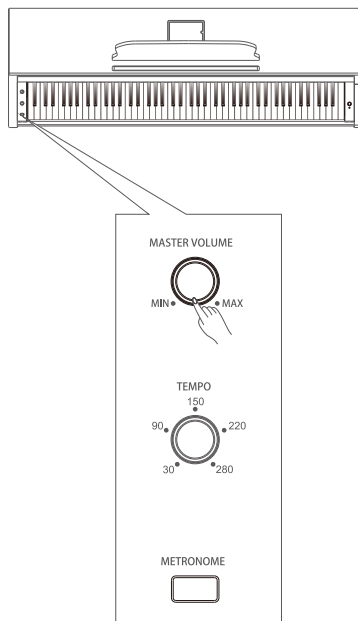
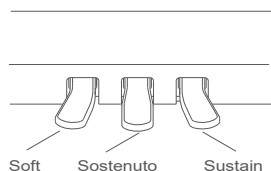
When you are practicing or recording your music, the metronome helps you to learn rhythms. Use the metronome function to help you keep a steady tempo as you play.

1. Press the "Metronome" button to activate it.
2. Press the "Metronome" again to turn it off. You can adjust the beat for different needs. The speed ranges from 30 – 280.

The beat goes higher when you turn the speed knob to the right, and it goes lower when you turn the speed knob to the left.

Using the Pedals

This piano equipped soft, sostenuto and sustain pedals.



Functions

Connecting Earphones

When practicing late at night, you can play the piano with your earphones as illustrated.

Socket : If you plug into these socket, the sound will only come out from the earphones.

Note :

1. Avoid using the earphones for long periods of time at a high volume, since extended use can cause ear fatigue or even hearing damage.
2. The size of the earphone sockets are 3.5mm and 6.5mm.

Extended Functions

Setting Up the Timbre

There are 426 timbres for you to choose from your smart device.

Note :

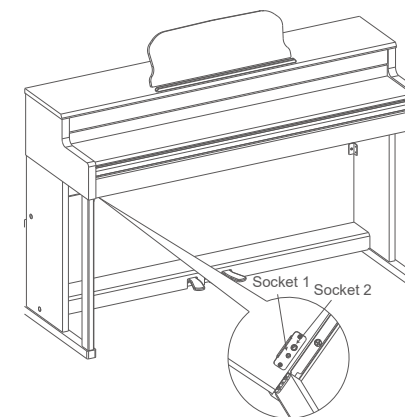
1. For specific tablet set-up instructions, refer to the App description in the App Store.
2. This product's default instrumental sound is that of a grand piano.

Recording Function

Simply tap the feature to start recording what you play and to share it on your social networks.

Auto Power-off

You can set auto power-off from your smart devices. Options: Power-off, 30 mins, 60 mins. Default value: 30 mins



Note :

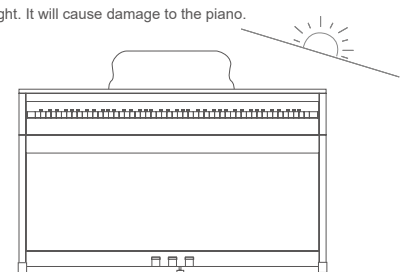
When the product works independently, the default power-off setting is 30 mins.

This module lists the main functions of the piano. For more details on additional features, refer to the "Settings - piano settings" in The One App.

Specifications

	Specifications
Size	Length: 54 Inches Width: 18 Inches Height: 33 Inches Keyboard: 88-key graded hammer action piano keyboard
Weight	121 pounds
Supported devices	Bluetooth 4.0+ IOS 10.0+ Phone 6/7/8/SE/X/11 above iPad 5th generation above, iPad mini 2 above, iPad Air above, iPad Pro above. Android 5.0+, support USB Host / OTG
Basic Parameters	Keyboard: 88-key graded hammer action piano keyboard Maximum Polyphony: 64-note polyphony Tones: 426 timbres (only the timbre of a grand piano is available for demo play) Audio Sampling rate: 32KHz Sampling Tones: 16-bit stereo Amplifier Power: 30w Speaker Size: Tweeter 1.25**2 + Woofer 6**2 Piano Lights: 88 sets of red and blue LED lights
Basic Functions	On/Off: Power will be automatically turned off if inactive for 30 minutes. Volume: Adjust the volume of the sound. Metronome*: Optional to use. Turn the knob to adjust the tempo. Pedals: Three pedals. Soft, Sostenuto, and Sustain respectively from left to right. Recording Function*: Record music while playing and share with your social network. Tone Selection*: A variety of timbres to choose from. (Functions with *: availability varies with the mobile device you're using The ONE smart piano application on)

Specifications

	Specifications
Interface	Power Source: 15V power cord connected to the back of the piano. Cable Interface: The port is visible by pressing on and opening the small box on top of the piano. The interface supports four specialized cables for The ONE Smart Piano (USB Type -C) Headphone Jack: One 3.5mm, one 6.5mm headphone jacks (front and rear) Connecting a headphone with the front headphone jack (via a headphone jack adaptor) makes the sound audible only through the headphone, while connecting a headphone with the rear headphone jack makes the sound audible through both the headphone and piano speakers. Aux In/Out: 6.5mm auxiliary interface.
Accessories	Mounting screws Screwdriver USB Type -C Cable User Manual
Care Instructions	<p>1. Avoid direct sunlight. It will cause damage to the piano.</p>  <p>2. Do not disassemble the piano. Disassembling may cause damages that are not covered under the warranty.</p>

Trouble-shooting

Problem	Possible cause and solution
A noise is heard when turning on or off the piano.	It's normal to hear some noise when turning the piano on or off. The noise may be due to interference caused by the use of a mobile phone in proximity to the instrument. Turn off the mobile phone, or place it far away from the instrument.
Speakers do not work when playing the piano	Check if the volume is too low or completely turned off. Then check if anything is plugged into the earphone socket.

SPECIAL NOTICE

Warning

Functions of the product may be subject to strong electromagnetic interference. If it happens, simply follow the user manual to restore the initial settings. When the product stops working, store it in an unused location.

Interference with other devices

Do not use the instrument in the vicinity of a TV, radio, stereo equipment, mobile phone, or other electronic device. Otherwise, the instrument may generate noise.

Maintenance

When cleaning the instrument, use a soft and dry cloth. Do not use paint thinners, solvents, cleaning fluids, or any chemical cleaning cloths.

Caution

Do not press too hard on switches or controls.

Avoid getting paper, metal or other materials into the internal device. If this happens, unplug the device immediately. Then ask for help from a qualified service personnel to inspect the equipment.

Before moving the instrument, remove all connected cables.

Before using the product, please read the following instructions carefully. Please keep this manual for inspection at any time in the future.

Power

Please make sure that the power adapter is connected to a Power outlet with the correct voltage.

Do not use a power source with the wrong voltage.

When the device isn't in use, or during a thunderstorm, disconnect the power supply.

Connection

Before connecting the product to another device, first turn off the power on both devices. This will effectively prevent equipment breakdowns or possible damage to the other device.

Location

Do not place the product in the following environments in order to avoid deformation, discoloration, or other serious damages. Do not expose the instrument to excessive dust or vibrations, or extreme temperatures (such as in direct sunlight or near a heater), or in a car to prevent panel discoloration or possible damage to the internal components.

Do not place vinyl, plastic or rubber objects on the instrument, since the panel or the keyboard may get discolored.

CONTACT US

Email: support@smartpiano.com

Facebook: [facebook.com/onesmartpiano](https://www.facebook.com/onesmartpiano)

Changes or modifications not expressly approved by the party responsible for compliance could void the user's authority to operate the equipment.

This device complies with Part 15 of the FCC Rules.

Operation is subject to the following two conditions:

- (1) this device may not cause harmful interference, and
- (2) this device must accept any interference received, including interference that may cause undesired operation.

This equipment complies with FCC radiation exposure limits set forth for an uncontrolled environment. This equipment should be installed and operated with a minimum distance of 20cm between the radiator & your body. This transmitter must not be co-located or operating in conjunction with any other antenna or transmitter.

Note: This equipment has been tested and found to comply with the limits for a Class B digital device, pursuant to Part 15 of the FCC Rules. These limits are designed to provide reasonable protection against harmful interference in a residential installation. This equipment generates, uses, and can radiate radio frequency energy, and if not installed and used in accordance with the instructions, may cause harmful interference to radio communications. However, there is no guarantee that interference will not occur in a particular installation.

If this equipment does cause harmful interference to radio or television reception, which can be determined by turning the equipment off and on, the user is encouraged to try to correct the interference by one or more of the following measures:

- Reorient or relocate the receiving antenna.
- Increase the separation between the equipment and receiver.
- Connect the equipment into an outlet on a circuit different from that to which the receiver is connected.
- Consult the dealer or an experienced radio/TV technician for help.