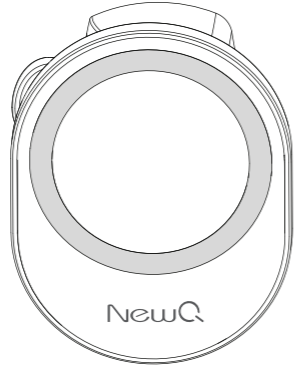
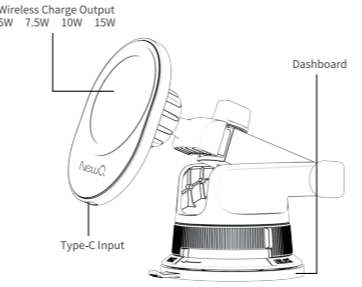
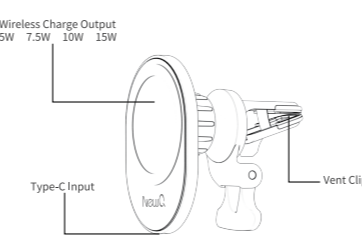
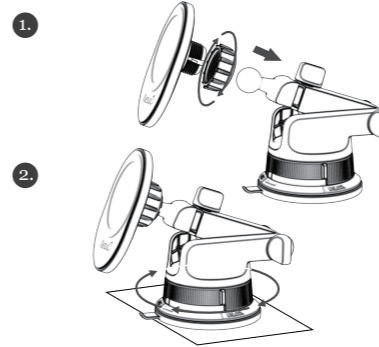
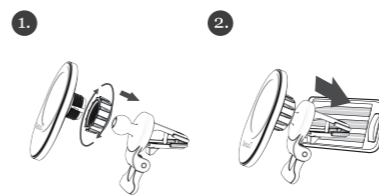


Size: 100*60mm(+1/-1mm)
 Materials: 128g 铜版纸, 过PP膜
 Color: 1C
 来料方式: 风琴折

Cover

 <p>100mm</p> <p>60mm</p>	<p>Thank you for choosing our NewQ mount car charger. To ensure optimal performance from this product, please read this user manual carefully and keep it safe for future reference, along with your receipt.</p> <p>Safety Guidelines</p> <ul style="list-style-type: none"> Do not disassemble the product in an attempt to modify, repair or for any other purpose. Do not store in high temperatures such as intense sunlight or other forms of heat. Do not place any magnetic stripe cards or similar items (e.g. credit cards, ATM cards, boarding passes etc.) near this product as the magnetic data on this product may get damaged. Do not drop, knock, or shake this product. Keep your product in a dry area. Humidity and liquids may damage the parts or electronic circuits. Use the original or a certified cable only. 	<p>Product Features</p> <p>Dashboard Style:</p>  <p>Vent Style:</p> 	<p>Operating Instructions</p> <p>Dashboard Style:</p>  <p>Vent Style:</p> 	<p>Notes</p> <ul style="list-style-type: none"> Compatible with 7.5W quick charge for iPhone To maximize the performance use provided car charger The NewQ mount car charger is engineered to work with the iPhone 12/13 or later series <p>Product Specifications:</p> <p>Model: NQ-WC-04 Output(Wireless): 5W/7.5W/10W/15W Size: 108*100*78 mm Net Weight: 88g Charging frequency: 115-205KHz Transmission Distance: 3mm</p> <p>Warranty</p> <ul style="list-style-type: none"> 18-Month Warranty Lifetime Technical Support <p>For any questions, Please feel free to contact us via support@newq.store</p>
--	--	---	---	---

back

<p>Manufacturer</p> <ul style="list-style-type: none"> Manufacturer: Shenzhen Yongdongke Innovation Technology Co., Ltd. Address: Floor 7, Building E, Galaxy World Phase II, Shenzhen, China Made in China NewQ Service Email: support@newq.store NewQ After-sales Service Email: support@newq.store <p>FCC</p> <ul style="list-style-type: none"> This device complies with part 15 of the FCC Rules. Operations are subject to the following two conditions: <ol style="list-style-type: none"> This device may not cause harmful interference this device must accept any interference received, including interference that may cause undesired operation. This equipment has been tested and found to comply with the limits for a Class B digital device under part 15 of the FCC Rules. These limits are designed to protect reasonably against harmful 	<p>interference in a residential installation.</p> <ul style="list-style-type: none"> This equipment generates and uses can radiate radio frequency energy, if not installed and used by the instructions, may cause harmful interference to radio communications. However, there is no guarantee that interference will not occur in a particular installation. If this equipment does cause harmful interference to radio or television reception, which can be determined by turning the equipment off and on, the user is encouraged to try to correct the interference by one or more of the following measures: Reorient or relocate the receiving antenna. Increase the separation between the equipment and receiver. Connect the equipment into an outlet on a circuit different from that to which the receiver is connected. Consult the dealer or an experienced radio / TV technician for help. CAUTION: To comply with the limits of the Class B digital device, under Part 15 of the FCC Rules, this device must be used with certified peripherals and shielded cables. All peripherals must be shielded and grounded. Operation with non-certified peripherals or non-shielded cables may result in interference to radio or reception. 	<ul style="list-style-type: none"> Caution: Any changes or modifications not expressly approved by the party responsible for compliance could void the user's authority to operate the equipment. FCC Radiation Exposure Statement <p>This equipment complies with FCC radiation exposure limits set forth for an uncontrolled environment.</p> <p>This equipment should be installed and operated with a minimum distance of 20cm between the radiator & your body.</p>	<p style="text-align: right;">NQ-C3W-V1.3</p>	
--	--	--	---	--