

HiStone

User Manual

HK316K POS Device



Qingdao Histone Intelligent Commercial System Co.,Ltd.

● User Notice

Thank you very much for choosing our POS Device. Before installing and using this product, please read this manual carefully so as to have a deep understanding of its performance. Please keep this manual well for future reference if you encounter problems in use.

In order to improve the products, the company will adopt new technology, new components and new software as much as possible, therefore, the company reserves the right to make changes without notice. The features, functions and operations described in this manual may not be completely consistent with the performance of the machines sold by our company in various places. In some cases, the pictures are only prototypes of the equipment. Before using this manual, you should ask our company or dealers applicable information.

This equipment must be installed by after-sales service personnel or dealers. The company is not responsible for any consequences caused by unauthorized changes to the equipment or replacement of connecting equipment and cables in accordance with regulations. .

● Warning

1. Static electricity may damage the host integrated circuit;
2. Risk of explosion or serious damage if battery is replaced by an incorrect one. Must be replaced with the same or equivalent type recommended by the manufacturer.

The manufacturer reserves the right to modify
the contents of the manual without prior
notice!

Product standard number: Q/HSK J03001
Product Standard Name: Commercial POS Device

01 / Application range

Our POS Device adopts an open system, flexible component structure and standard peripheral interfaces. The product is suitable for network connection or stand-alone use in commercial enterprises such as supermarkets, department stores, convenience stores, hotels and hotels; all main components are standard products, so the product quality is reliable, it is easy to upgrade the system, the maintenance of components is convenient and simple, and the reasonable cost performance makes it more competitive compared with similar products.

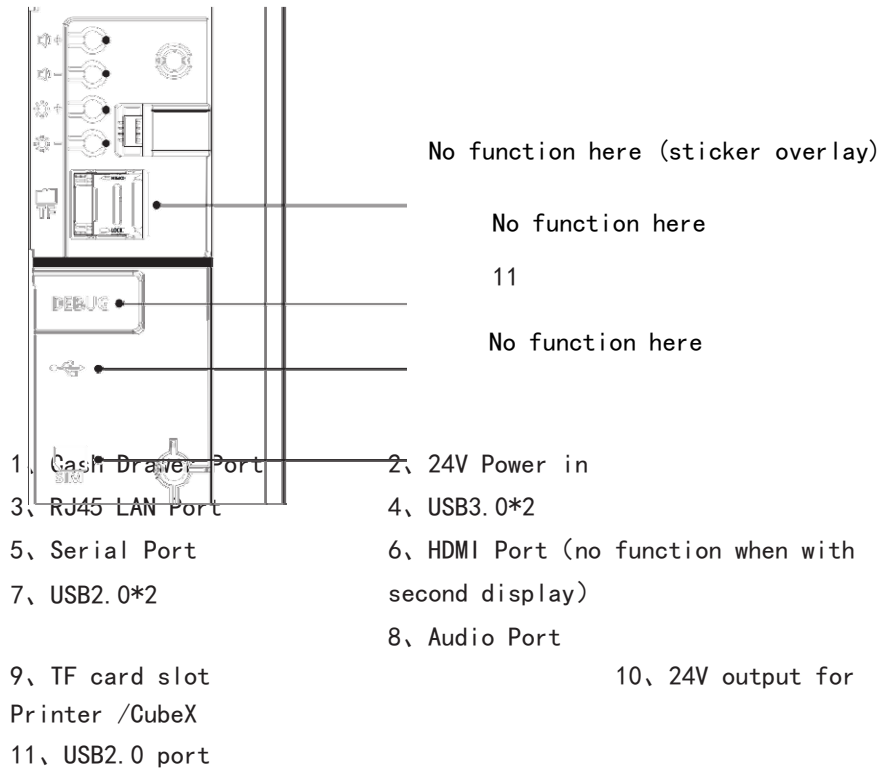
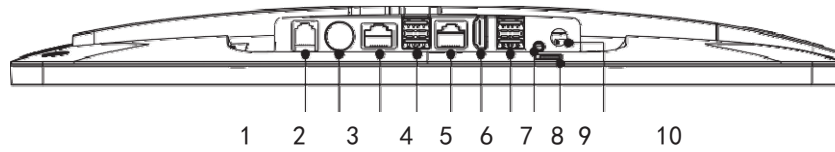
Product basic configuration :

type	part	HK316K	
Host	processor	Quad-core A55, 2.0GHz	
	RAM	Standard 2G LPDDR4, upgradeable to 4G, 8G	
	Storage	Standard 16G EMMC, upgradeable to 32G, 64G	
	Main Display	15.6" FHD LCD, resolution 1920×1080, capacitive touch screen	
	wireless function		Dual-band WiFi, supports 2.4G/5G, 802.11 a/b/g/n/ac
			Bluetooth 5.2
	ethernet	RJ45, 100/1000M adaptive	
	customer display (optional)		15.6" FHD LCD, resolution 1920×1080, capacitive touch screen (optional)
		10.1" LCD, resolution 1280×800, capacitive touch screen (optional)	
printer (optional)		80mm thermal printer	
		58mm thermal printer	
	Cash Drawer	steel cash drawer	

peripherals	(optional)	
	Card Reader (optional)	Magnetic Stripe Card Reader/RFID Contactless Card Reader
	barcode scanner (optional)	Support (1D/2D scanning)
	camera (optional)	Support (face payment or member recognition camera)

02 / POS machine related interface

3568 (HS)



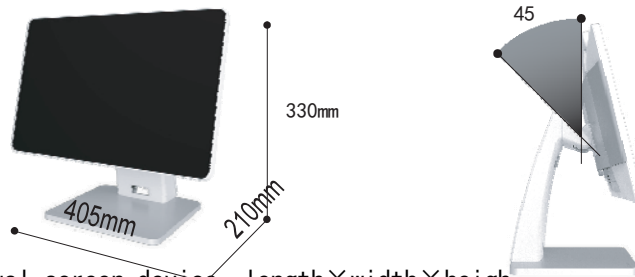
Note 1: This USB interface is only suitable for standard USB devices, such as mouse, keyboard, scanning gun, etc., and the current limit is 500mA.

03 / Description of use environment

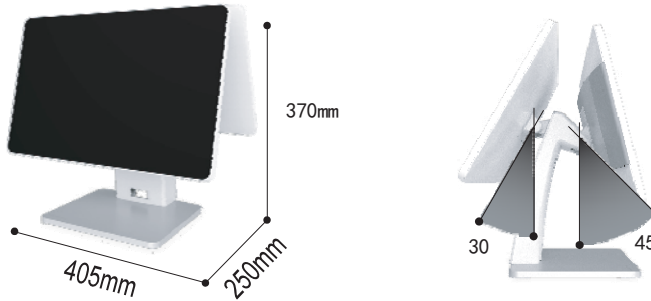
Category		Description
usage environment	Voltage	AC 100~240V 50-60Hz two poles with grounding
	Operating temperature	0°C - 40°C
	Working humidity	35%~ 80%
	storage temperature	-20°C~ 55°C
	storage humidity	20%~ 93%

04 / Dimensions

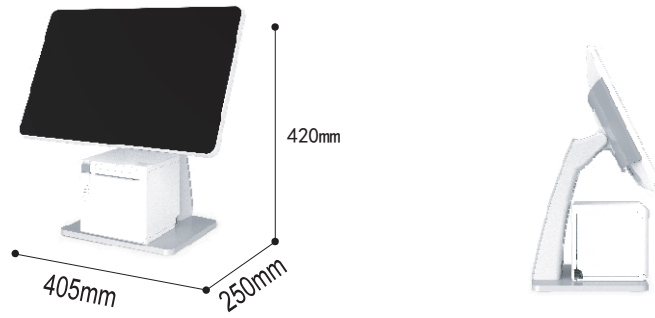
- ① Single screen device, L×W×H: 405mm*210mm*330mm; main screen flip angle 0-45° ;



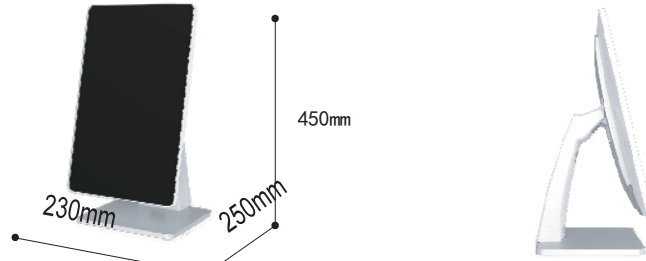
- ② Dual-screen device, length×width×height: 405mm*250mm*370mm; the flip angle of the main screen is 0-45°, and the flip angle of the second screen is 0-30° ;



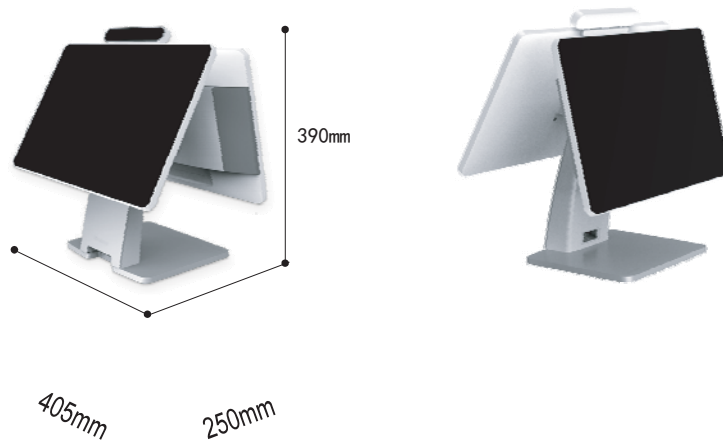
- 3 device with high hinge + printer device, length × width × height: 405mm*250mm*420mm;



- 4 device as kiosk, L×W×H: 230mm*250mm*450mm;



- 5 device with screen + second screen camera, length × width × height: 405mm*250mm*390mm.



05 / Unpacking inspection and system installation

- ① Before opening the box, first check whether the outer packing box is in good condition and whether there is any obvious damage. If so, please contact the dealer in time to solve it;
- ② HK316 series products are protected by bubble bags, before removing the bubble bags, check whether the bubble bags are damaged;
- ③ Take the machine out of the carton, be careful not to bump the machine;
- ④ Check the random accessories, which should include: power adapter, power cord, etc.;
- ⑤ Check whether the product has obvious scratches, pits and other appearance defects;
- ⑥ This equipment must be installed by a service technician or dealer.

06 / Instructions for use

① Switch instructions :

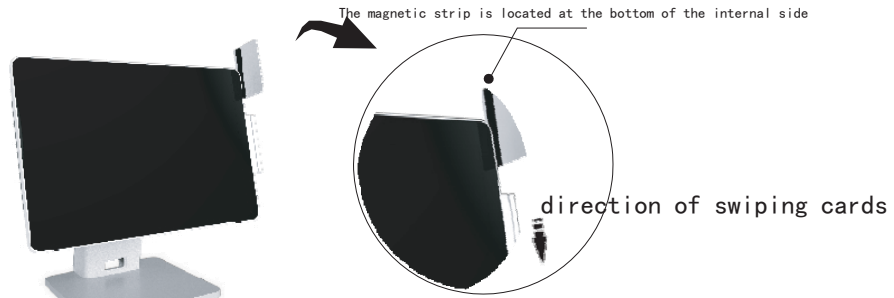
- A. A. Power on: When the 24V adapter is connected, press and hold the switch button on the bottom right side of the machine for about 3 seconds, and when the screen lights up and the button indicator lights up, the machine can be turned on;
- B. B. Shutdown: Press and hold the switch button on the bottom right side of the machine for about 3 seconds, and follow the screen prompts to realize the shutdown and restart functions;
- C. C. Status indicator light: The color of the indicator light corresponds to the different operating states of the system as shown in the table below.

state	information
-------	-------------

red light	System errors (such as network exceptions, printer exceptions, etc.)
green light	System boot status
blue light	The system goes to sleep

2 Swipe Magnetic Stripe Card Instructions :

- A. When swiping the card, the machine should be placed on a hard level surface;
- B. Please swipe the magnetic stripe card through the card slot with the magnetic stripe facing inward;
- C. The card swiping process should be smooth and uniform.



3 Contactless Card Operation Instructions :

- A. The contactless card sensing area is located behind the right side of the host (printed with contactless logo);
- B. When sensing a contactless card, please place the card above the sensing area.

07 / Printer & Adapter Matching Instructions

When the system is configured with printers of different specifications, adapters with corresponding power need to be used together. See the table below for matching instructions:

Printer specification	Power rate of power adapter
no printer	60W
With 58mm thermal printer	60W
With 58mm thermal printer	90W

08 / Precautions

- ① The POS device requires that the external power supply has a good grounding, the grounding resistance is less than 0.1Ω , and the device must be connected to a grounded three-prong national standard socket. If the power supply is not grounded or the grounding is poor, it may cause the case to be electrified, which poses a safety hazard to the operator and affects the stable operation of the POS device;
- ② During use, the three-hole power socket and UPS power supply that meet the national standard and have CCC certification must be used. The ground wire is required to be well grounded, and the power supply voltage is required to be stable. Confirm that the voltage provided by the socket is consistent with the voltage marked on the nameplate of the machine;
- ③ The machine should be used in a dry, ventilated, clean environment and away from sunlight. Avoid blocking or covering the air vent of the main unit, and require an air outlet with a certain opening;
- ④ This is a Class B product, in a domestic environment this product may cause radio interference. In this case, the user may be required to take practicable measures against the interference;
- ⑤ Do not extend the cable at will, replace parts, please contact our company or agent if necessary;
- ⑥ Do not plug or unplug any live parts and peripherals of the POS device when it is charged. The connecting cables between the parts of the POS device must be firmly inserted, and if the plug has screws, it must be tightened;
- ⑦ The RJ11 interface on the rear of the main unit is connected to the cash drawer, it is not a communication port, and users cannot use this port to dial up the Internet;
- ⑧ When inserting an external U disk, it must be anti-virus first to prevent the host from being infected with viruses. In addition, the Android system does not support mobile hard disks;
- ⑨ Do not switch on and off the power of the main

engine frequently, as frequent switching will easily cause an impact on the machine;

- ⑩ Never spill liquid of any kind, or drop it into any object;
- ⑪ Do not put heavy pressure, strenuous exercise, shake and beat the POS device;
- ⑫ If you accidentally spill liquid or drop debris, please shut down and cut off the power immediately, remove the battery, dry the liquid or remove debris, and reset the CMOS after removing the battery;;
- ⑬ In case of safety faults such as: abnormal smell, abnormal sound, leakage and other faults, the power should be cut off immediately, and contact our after-sales service or agent to deal with it. When the POS device is not in use, it should be turned off and cut off from the power supply. When shutting down, please do not directly cut off the main power supply, you should exit the application program first, turn off the main unit, then cut off the main power supply, and put on the dust cover.

The format of this standard is prepared according to the provisions of SJ/T11364:

0 means that the content of the toxic and hazardous substance in all homogeneous materials of the part is below the limit requirement specified in GB/T26572;

X means that the content of the toxic and hazardous substance in at least one homogeneous material of the part exceeds the limit requirement specified in GB/T26572.

Note: DIBP-diisobutyl phthalate

BBP- butyl phthalate

DBP- dibutyl phthalate

DEHP- bis(2-ethylhexyl) phthalate

10 / accessories

NO.	Name	Unit	QTY	NOTES
1	Commercial POS Device	Pcs	1	
2	Power adapter	Pcs	1	
3	Power cord	Pcs	1	

11 / Others

- ① For the drivers of other peripherals, please refer to the random CD attached to this batch of products, or log in to the Histone POS website or call the Histone POS national unified hotline ;
- ② Histone POS website: www.histonetec.com
- ③ 24-hour customer service hotline: 4006-585-111.

12 FCC Statement:

This device complies with part 15 of the FCC Rules. Operation is subject to the following two conditions: (1) This device may not cause harmful interference, and (2) this device must accept any interference received, including interference that may cause undesired operation.

This equipment has been tested and found to comply with the limits for a Class B digital device, pursuant to part 15 of the FCC Rules.

These limits are designed to provide reasonable protection against harmful interference in a residential installation. This equipment generates, use and can radiate radio frequency energy and, if not installed and used in accordance with the instructions, may cause harmful interference to radio communications. However, there is no guarantee that interference will not occur in a particular installation. If this equipment does cause harmful interference to radio or television reception, which can be determined by turning the equipment off and on, the

user is encouraged to try to correct the interference by one or more of the following measures:

- Reorient or relocate the receiving antenna.
- Increase the separation between the equipment and receiver.
- Connect the equipment into an outlet on a circuit different from that to which the receiver is connected.
- Consult the dealer or an experienced radio/TV technician for help.

Caution: Any changes or modifications not expressly approved by the party responsible for compliance could void the user's authority to operate the equipment.

This equipment complies with FCC radiation exposure limits set forth for an uncontrolled environment. This transmitter must not be co-located or operating in conjunction with any other antenna or transmitter.

This equipment should be installed and operated with minimum distance 20cm between the radiator and your body.



24-hour customer service hotline

4006-585-111

Test:

HiStone

Qingdao Histone Intelligent Commercial System Co.,Ltd.

Headquarters Address: Qingdao, China

URL: <https://www.hics.histonetec.com/>