

SLEing®

东莞市森岭智能科技有限公司

DONGGUAN CITY SLEing INTEL-TECH

承认书

SPECIFICATION APPROVAL SHEET

客 户 :

CUSTOMER

客 户 料 号 :

CUS PART NO

版次:

REV X1

品名 / 规格 :

2.4~2.5/5.15~5.85GHz

单重:

SPECIFICATION

WIFI AUX Antenna L=135mm(Ø0.81+MHF) weight

供 方 料 号 :

SUP PART NO

SLEingB225790135


日 期 :

DATE

2022.04.06

厂 商 核 准 :

SUP APPROVED

核准 APPROVED	审核 CHECKED	品保审核 QA CHECKED	承办 DESIGNED
Janyan	HZY	ZQ	

客 户 核 准 :

CUS APPROVED

核准 APPROVED	审核 CHECKED	品保审核 QA CHECKED	承办 DESIGNED

东莞市森岭智能科技有限公司

DONGGUAN CITY SLEing INTEL-TECH CO., LTD

中国广东省东莞市松山湖工业东路24号现代企业加速器6栋402

Room 402, No. 6 Plant, Accelerator of Modern Enterprise, No, 24 Industry East Road
Songshanlake District, Dongguan City, Guangdong Province, China.

Tel: +86-0769-89208968

Fax: +86-0769-89208969

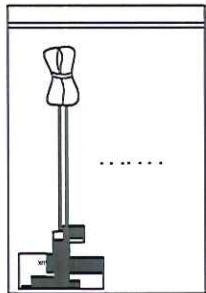
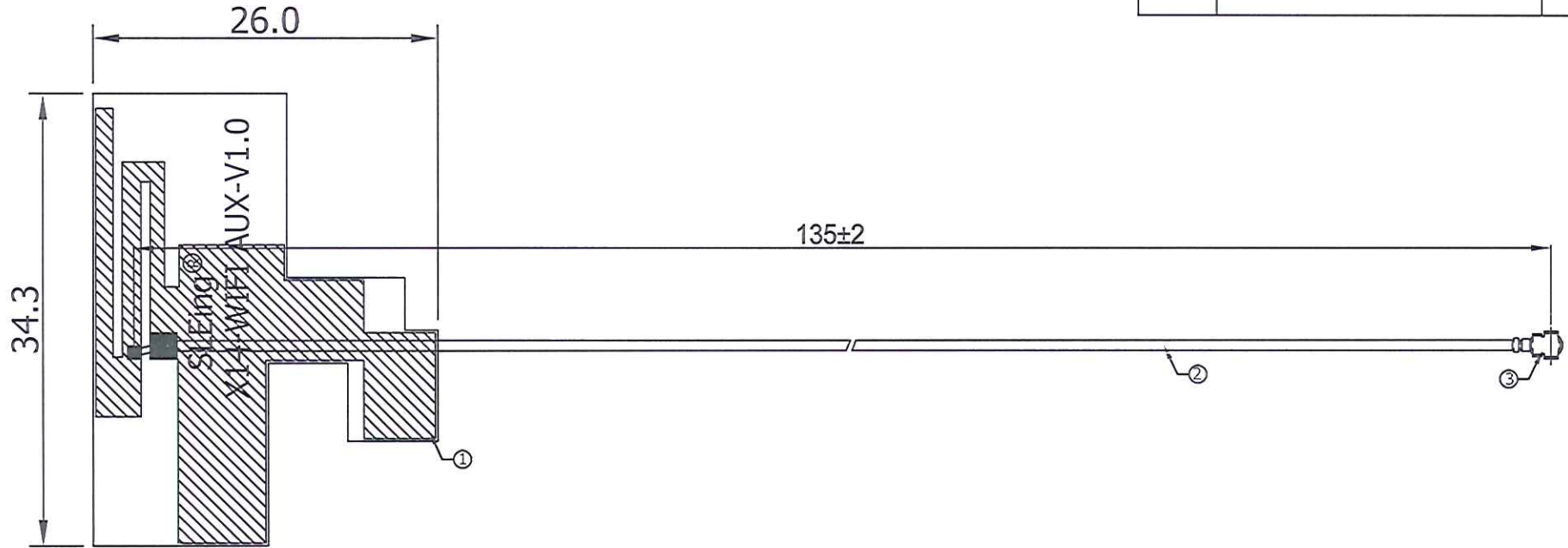
www.sleing.com

正本由承办单位保存

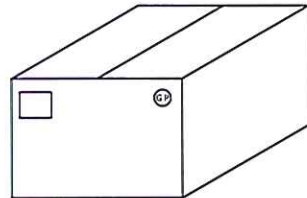
承认书项目表 Spec Item

NO.	内容 (Contents)	页数 (Number of Page)	页码 (Page Code)
1	承认书封面 (Spec Cover)	1	1
2	承认书项目表 (Spec Item)	1	2
3	工程成品图 (Drawing)	1	3
4	电性测试报告 (Test Reports)	1	4
5	天线安装图(Antenna Install)	1	5
6	S参数测试 (S Parameter)	1	6
7	测试设备 (Test Equipment)	1	7
8	方向图(Patten)	2	8~9
9	测试效率 (Test Efficiency)	1	10

REV.	CONTENT	DATE
X1	First Sample	2022.04.06



25pcs/Bundle
Packing:50pcs/bag



外箱须贴GP标签与物料标签各1PCS

Specification:
 Frequency Rang:2.4~2.5/5.15~5.85GHz(带机测试)
 Return Loss:-10dB or less
 VSWR:1.92 Max

SLEing® 森岭 东莞市森岭智能科技有限公司 DONGGUAN SLEing INTEL-TECH CO.,LTD			CUSTOMER				
			PART NO				
			TITLE		WIFI+BT ANTENNA		
			S.L P/NO		SLEingB225790135		
	TOLERANCE UNLESS OTHERWISE SPECIFIED			SIZE	DRAWN	CHECKED	APPROVED
	UNIT:mm	ANGLES ±0.5°	X. ±0.3	A4	Xiang	2022-03-06	Jiang
SHEET: 1/1	X.XX ±0.05	XX. ±0.5					
SCALE: 1/1	XXX. ±2.0						

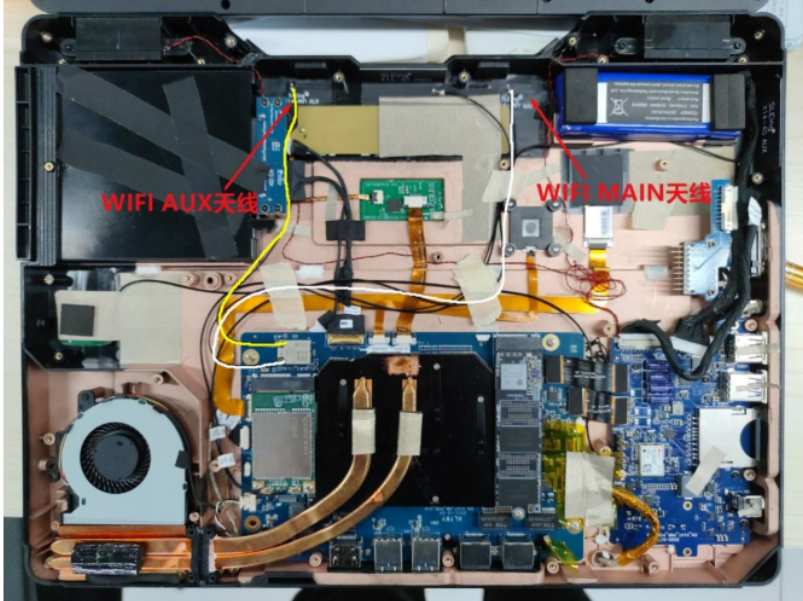
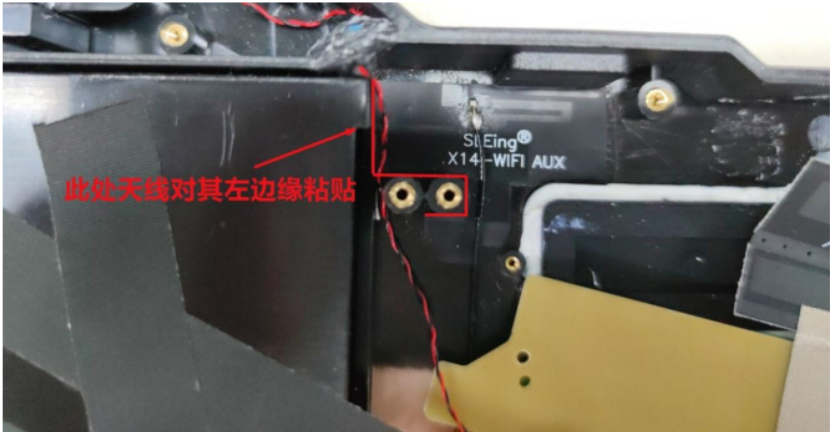
NO	PART NAME	DESCRIPTION	REMARK	Q'TY
3	Connector	MHF Plug for Φ0.81 Cable	第四代端子	1
2	Cable	Φ0.81mm Coaxial Cable Black,50Ω		1
1	FPCB	L34.3*W26.0*T0.1mm,Color:Black		1



电性测试报告 Test Reports

Electrical Properties	
Frequency	2.4~2.5/5.15~5.85GHz(带机测试)
Impedance	50 Ohm Nominal
V.S.W.R	≤1.92
Return Loss	-10 dB Max
Radiation	Omni-directional
Gain (Peak)	1.98 dBi
Polarization	Linear, Vertical
Admitted Power	2 W
Connector	IPEX
Physical Properties	
Antenna Material	FPCB
Cable Type	Φ0.81mm Black
Operating Temp.	-10 ~ +60 °C
Storage Temp.	-20~ +80 °C

天线组装图 Antenna Profile

<p><i>Devie</i></p>	<p>1、天线粘贴位置和走线</p> 
<p><i>Antenna</i></p>	<p>3、WIFI AUX 天线粘贴</p> <p>线长 135mm，直径 0.81mm，4代端子</p> 

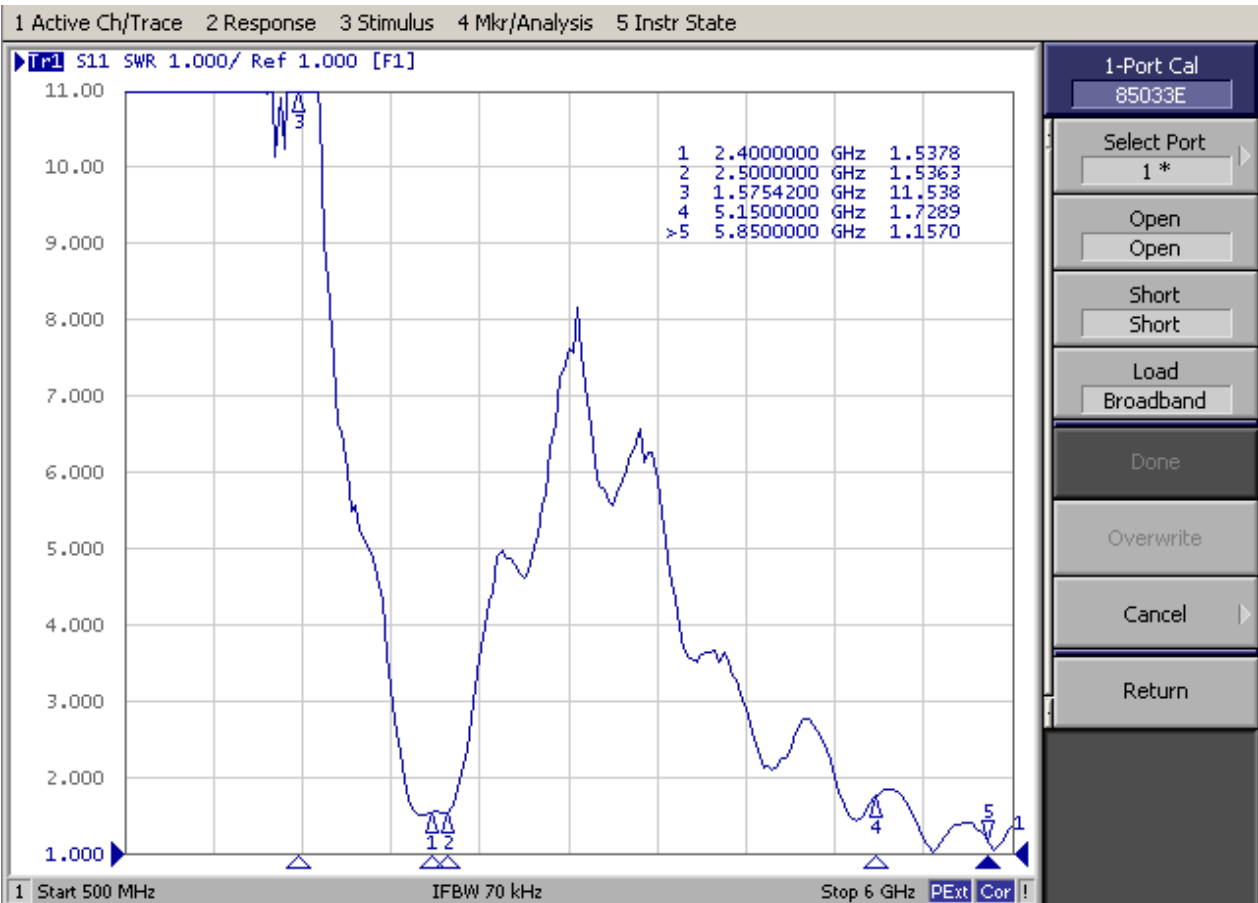
S 参数测试

S Parameter Test

Agilent E5071C Network Analyzer

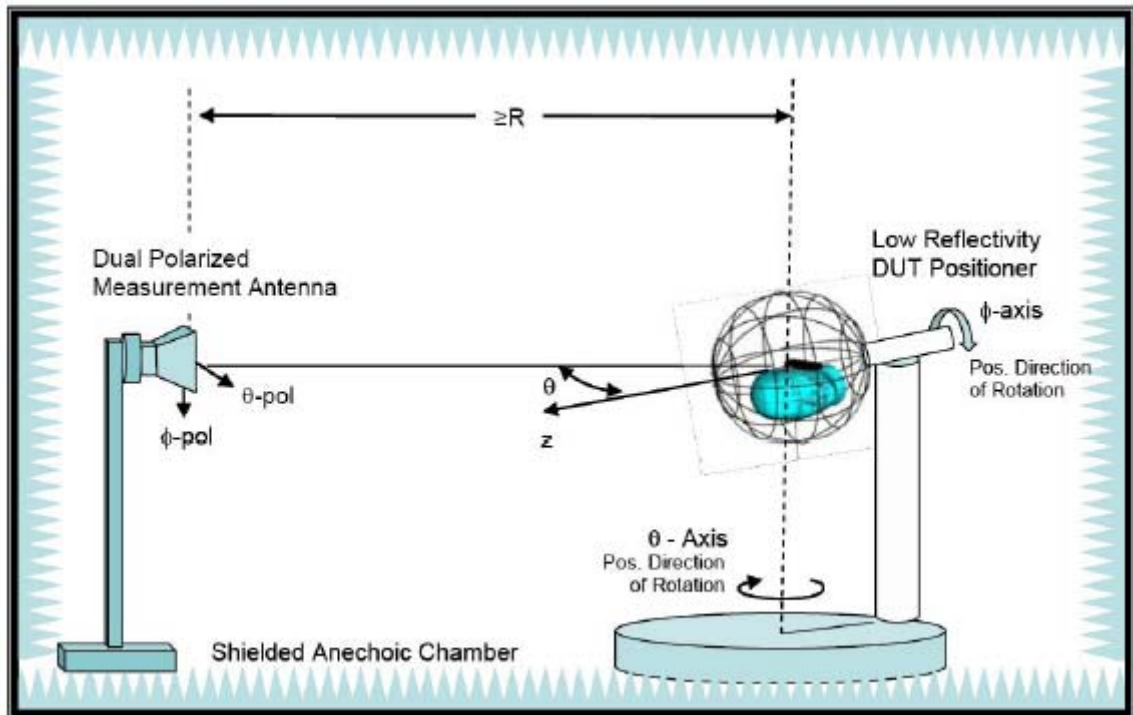
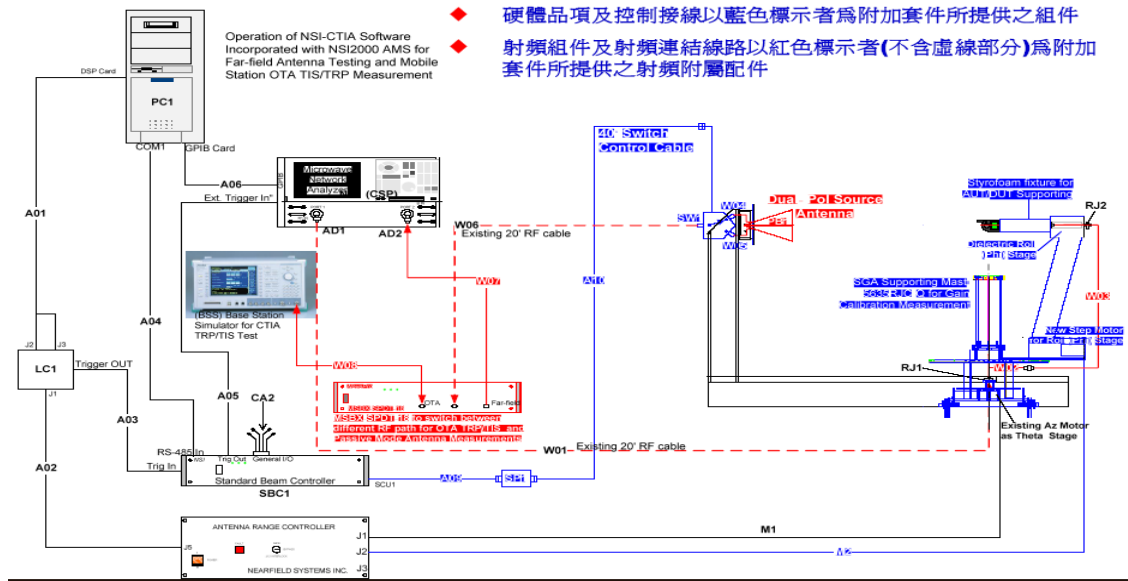


WiFi Antenna (NO.1)



测试设备 Test Setup

NFC-500S 3D Chamber Coordinate System Definition

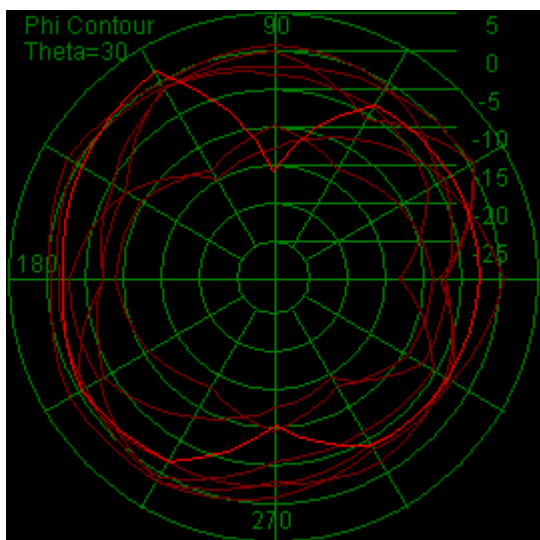


Configuration of 3D Chamber

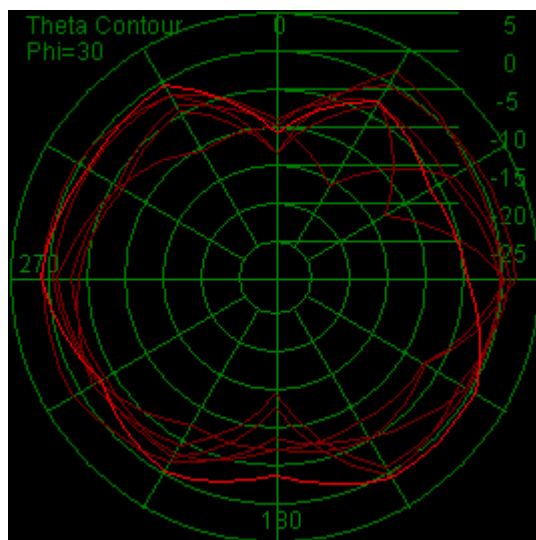
方向图 (5.8G) Patten

1.3 2D Radiation patterns test results (Passive Antenna)

XZ Plane

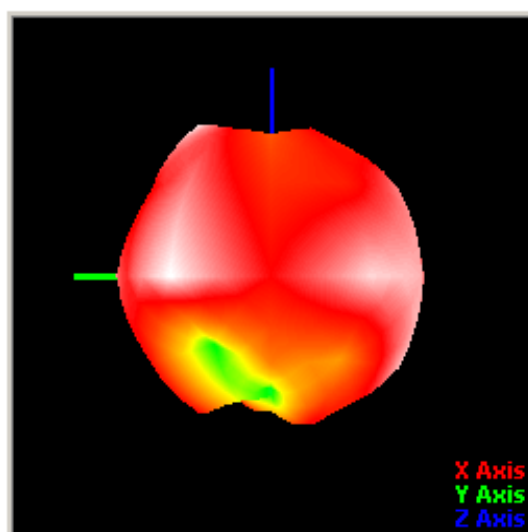


YZ Plane



1.5 3D Radiation patterns test results (Passive Antenna)

3D



测试效率 Test Efficiency

Test Point ID	Freq. (MHz)	TRP (dBm)	Gain (dBi)	Directivity (dBi)	Efficiency (%)	Efficiency (dB)	Max (dBm)	Theta of Max	Phi of Max	Min (dBm)	Theta of Min	Phi of Min	AVG (dBm)	Max/Min (dB)	Max/AVG (dB)	Min/AVG (dB)
1	2412.0	2412.00	1.60	3.20	43.2%	-4.79	1.60	60	90	-16.26	150	0	-5.57	14.66	3.97	-10.69
2	2417.0	2417.00	1.49	3.24	43.7%	-4.73	1.49	60	60	-17.20	90	0	-5.49	15.72	4.00	-11.71
3	2422.0	2422.00	0.96	3.53	47.6%	-4.49	0.96	60	90	-16.28	150	0	-5.23	15.32	4.27	-11.05
4	2427.0	2427.00	1.57	3.11	43.3%	-4.28	1.57	60	90	-16.00	150	0	-5.13	14.83	3.96	-10.87
5	2432.0	2432.00	1.43	3.01	43.2%	-4.18	1.43	60	90	-17.46	150	0	-5.10	16.29	3.93	-12.36
6	2437.0	2437.00	0.75	3.75	43.1%	-4.19	0.75	60	90	-16.95	90	0	-5.11	16.52	4.68	-11.84
7	2442.0	2442.00	1.32	3.27	43.2%	-4.29	1.32	60	60	-17.16	90	180	-5.32	16.14	4.30	-11.84
8	2447.0	2447.00	1.55	3.21	47.4%	-4.77	1.55	60	90	-18.81	120	0	-5.78	17.26	4.23	-13.03
9	2452.0	2452.00	1.17	3.33	46.5%	-4.50	1.17	60	60	-18.77	150	0	-5.53	17.60	4.35	-13.24
10	2457.0	2457.00	0.87	3.50	46.9%	-4.37	0.87	60	90	-18.45	150	0	-5.17	17.57	4.30	-13.28
11	2462.0	2462.00	0.47	3.69	43.3%	-4.16	0.47	60	90	-16.65	90	180	-4.83	16.17	4.36	-11.82
12	2467.0	2467.00	0.76	3.14	43.7%	-3.90	0.76	60	90	-17.72	90	180	-4.79	16.95	4.02	-12.93
13	2472.0	2472.00	0.83	3.11	46.3%	-3.94	0.83	60	60	-18.10	120	0	-4.97	17.27	4.15	-13.13
14	2484.0	2484.00	0.54	3.81	45.6%	-4.25	0.54	60	90	-16.71	90	0	-5.05	16.27	4.61	-11.66

Test Point ID	Freq. (MHz)	TRP (dBm)	Gain (dBi)	Directivity (dBi)	Efficiency (%)	Efficiency (dB)	Max (dBm)	Theta of Max	Phi of Max	Min (dBm)	Theta of Min	Phi of Min	AVG (dBm)	Max/Min (dB)	Max/AVG (dB)	Min/AVG (dB)
1	5120.0	5120.00	1.85	3.31	41.3%	-1.47	1.85	90	270	-15.06	0	120	-3.17	16.90	5.02	-11.88
2	5240.0	5240.00	1.26	4.17	31.1%	-0.91	1.26	60	0	-18.82	180	60	-2.17	22.08	5.43	-16.64
3	5360.0	5360.00	1.68	4.86	40.6%	-2.17	1.68	90	270	-15.86	30	120	-3.07	18.54	5.76	-12.79
4	5480.0	5480.00	1.58	4.01	40.6%	-0.43	1.58	90	270	-14.05	180	120	-1.61	17.63	5.19	-12.44
5	5560.0	5560.00	1.31	4.63	35.7%	-1.33	1.31	60	300	-19.75	180	120	-3.23	23.06	6.54	-16.53
6	5680.0	5680.00	1.69	5.03	38.4%	-2.34	1.69	60	30	-19.19	30	60	-2.85	21.88	5.54	-16.34
7	5760.0	5760.00	1.71	5.36	34.3%	-2.65	1.71	90	270	-20.41	180	0	-3.73	23.12	6.44	-16.68
8	5840.0	5840.00	1.98	4.79	35.3%	-2.82	1.98	60	0	-20.53	180	0	-4.15	22.51	6.13	-16.37

吞吐量	2.4G WIFI (Mbps)		5G WIFI (Mbps)	
	上传	下载	上传	下载
1米	89	97	322	349
	87	95	319	350
	92	93	324	351
15米	96	80	245	310
	95	81	247	306
	94	90	243	313
30米	98	94	230	232
	95	96	224	231
	97	93	228	242

项目	主+副天线	Performance request (性能要求)	信道	结果	判定	备注
2.4G WiFi_11b_CCK_11M	TRP	$\geq 11 \pm 1 \text{ dBm}$	1	10.53	PASS	
			7	10.65		
			13	10.02		
	TIS	$\leq -80 \text{ dBm}$	1	-80.81	PASS	
			7	-81.35		
			13	-80.45		
5G WiFi_11a_54M	TRP	$\geq 10 \pm 1 \text{ dBm}$	36	12.88	PASS	
			64	12.29		
			157	12.91		
	TIS	$\leq -85 \pm 1 \text{ dBm}$	36	-71.94	PASS	
			64	-72.66		
			157	-72.5		